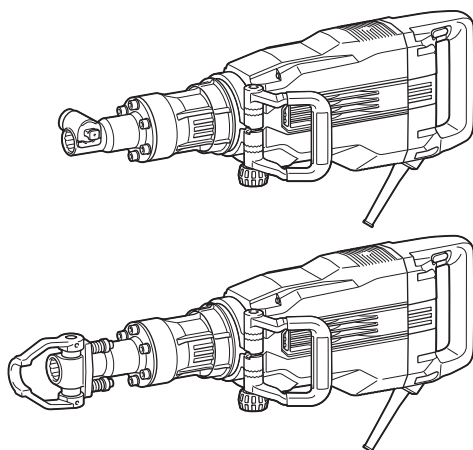
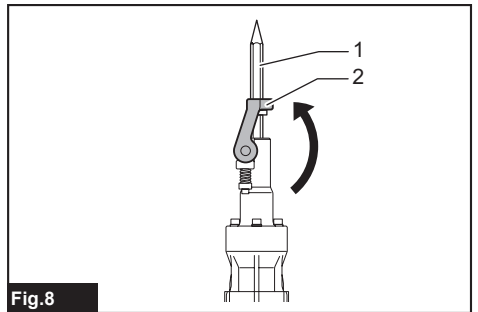
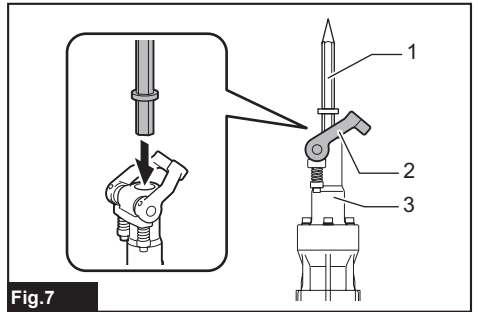
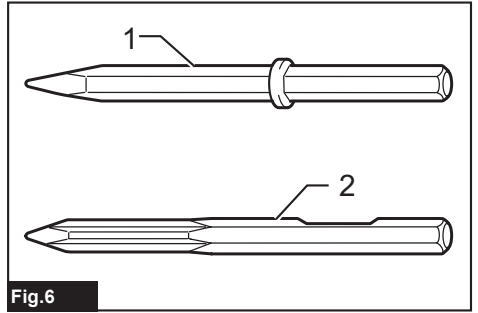
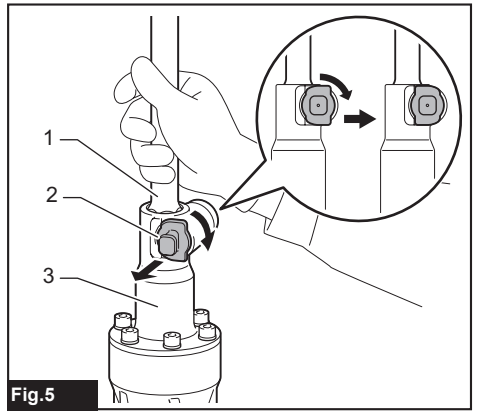
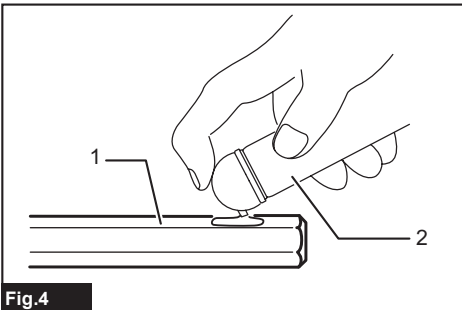
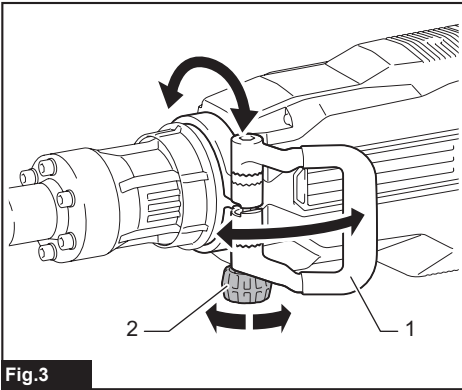
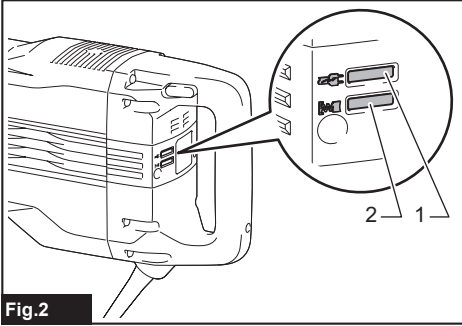
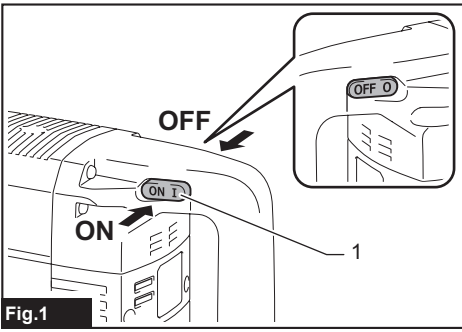




<b>EN</b>	Electric Breaker	<b>INSTRUCTION MANUAL</b>	<b>4</b>
<b>FR</b>	Marteau-Piqueur	<b>MANUEL D'INSTRUCTIONS</b>	<b>8</b>
<b>DE</b>	Stemmhammer	<b>BETRIEBSANLEITUNG</b>	<b>13</b>
<b>IT</b>	Demolitore elettrico	<b>ISTRUZIONI PER L'USO</b>	<b>18</b>
<b>NL</b>	Elektrische breekhamer	<b>GEBRUIKSAANWIJZING</b>	<b>23</b>
<b>ES</b>	Demoledor Eléctrico	<b>MANUAL DE INSTRUCCIONES</b>	<b>28</b>
<b>PT</b>	Martelo Demolidor	<b>MANUAL DE INSTRUÇÕES</b>	<b>33</b>
<b>DA</b>	Elektrisk afbryder	<b>BRUGSANVISNING</b>	<b>38</b>
<b>EL</b>	Ηλεκτρικός θραυστήρας	<b>ΕΓΧΕΙΡΙΔΙΟ ΟΔΗΓΙΩΝ</b>	<b>43</b>
<b>TR</b>	Elektrikli Kırıcı	<b>KULLANMA KILAVUZU</b>	<b>48</b>

**HM1511**  
**HM1501**  
**HM1512**  
**HM1502**





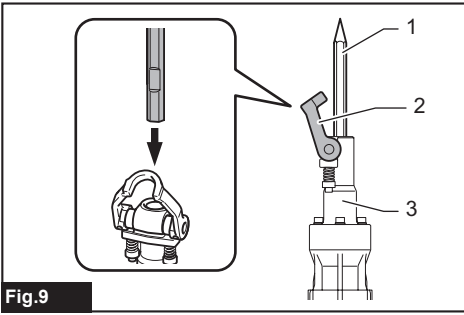


Fig.9

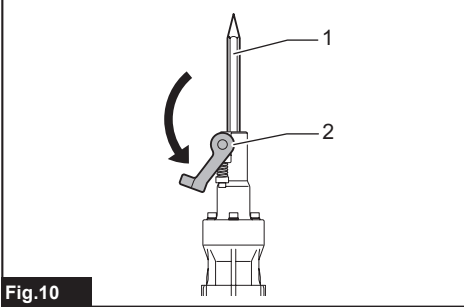


Fig.10

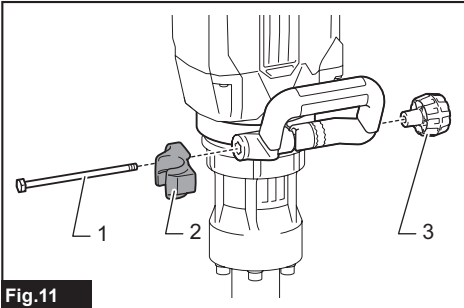


Fig.11

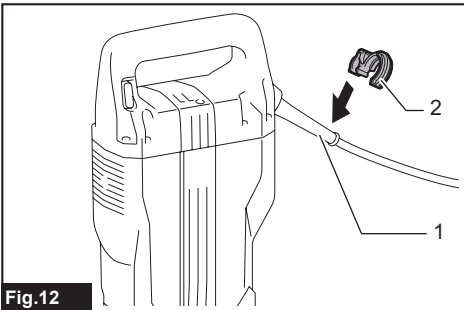


Fig.12

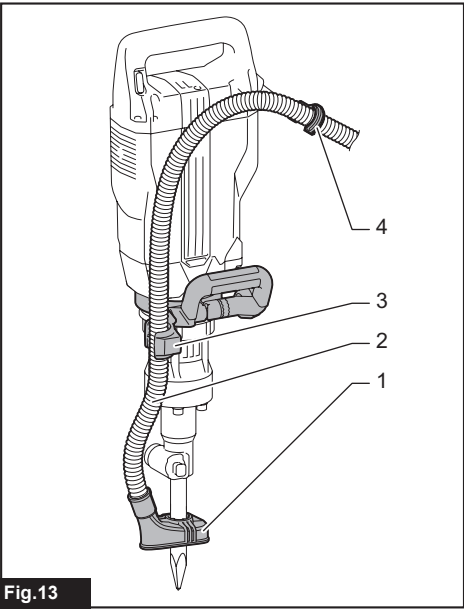


Fig.13

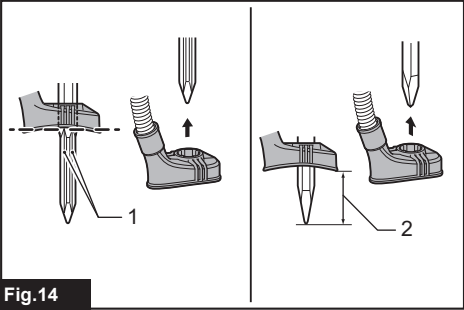


Fig.14



Fig.15

# SPECIFICATIONS

Model:	HM1511	HM1501	HM1512	HM1502
Blows per minute	1,300 min <sup>-1</sup>			
Overall length	781 mm		809 mm	
Net weight	19.2 kg	18.4 kg	20.4 kg	19.7 kg
Safety class	□/II			
Soft no-load rotation function	✓	-	✓	-

- Due to our continuing program of research and development, the specifications herein are subject to change without notice.
- Specifications may differ from country to country.
- The weight may differ depending on the attachment(s). The lightest and heaviest combination, according to EPTA-Procedure 01/2014, are shown in the table.

## Intended use

The tool is intended for chiselling work in concrete, brick, stone and asphalt as well as for driving and compacting with appropriate accessories.

## Power supply

The tool should be connected only to a power supply of the same voltage as indicated on the nameplate, and can only be operated on single-phase AC supply. They are double-insulated and can, therefore, also be used from sockets without earth wire.

## Noise

The typical A-weighted noise level determined according to EN60745-2-6:

### Model HM1511

Sound pressure level ( $L_{pA}$ ) : 85 dB(A)  
 Sound power level ( $L_{WA}$ ) : 105 dB (A)  
 Uncertainty (K) : 1.57 dB(A)

### Model HM1501

Sound pressure level ( $L_{pA}$ ) : 84 dB(A)  
 Sound power level ( $L_{WA}$ ) : 104 dB (A)  
 Uncertainty (K) : 2.02 dB(A)

### Model HM1512

Sound pressure level ( $L_{pA}$ ) : 84 dB(A)  
 Sound power level ( $L_{WA}$ ) : 104 dB (A)  
 Uncertainty (K) : 1.76 dB(A)

### Model HM1502

Sound pressure level ( $L_{pA}$ ) : 85 dB(A)  
 Sound power level ( $L_{WA}$ ) : 105 dB (A)  
 Uncertainty (K) : 1.79 dB(A)

**NOTE:** The declared noise emission value(s) has been measured in accordance with a standard test method and may be used for comparing one tool with another.

**NOTE:** The declared noise emission value(s) may also be used in a preliminary assessment of exposure.

**⚠ WARNING:** Wear ear protection.

**⚠ WARNING:** The noise emission during actual use of the power tool can differ from the declared value(s) depending on the ways in which the tool is used especially what kind of workpiece is processed.

**⚠ WARNING:** Be sure to identify safety measures to protect the operator that are based on an estimation of exposure in the actual conditions of use (taking account of all parts of the operating cycle such as the times when the tool is switched off and when it is running idle in addition to the trigger time).

## Vibration

The vibration total value (tri-axial vector sum) determined according to EN60745-2-6:

### Model HM1511

Work mode: chiselling  
 Vibration emission ( $a_{h, Chis}$ ): 6.5 m/s<sup>2</sup>  
 Uncertainty (K) : 1.5 m/s<sup>2</sup>

### Model HM1501

Work mode: chiselling  
 Vibration emission ( $a_{h, ID}$ ): 14.5 m/s<sup>2</sup>  
 Uncertainty (K) : 1.5 m/s<sup>2</sup>

### Model HM1512

Work mode: chiselling  
 Vibration emission ( $a_{h, ID}$ ): 6.5 m/s<sup>2</sup>  
 Uncertainty (K) : 1.5 m/s<sup>2</sup>

### Model HM1502

Work mode: chiselling  
 Vibration emission ( $a_{h, ID}$ ): 14.5 m/s<sup>2</sup>  
 Uncertainty (K) : 1.5 m/s<sup>2</sup>

**NOTE:** The declared vibration total value(s) has been measured in accordance with a standard test method and may be used for comparing one tool with another.

**NOTE:** The declared vibration total value(s) may also be used in a preliminary assessment of exposure.



**⚠ WARNING:** The vibration emission during actual use of the power tool can differ from the declared value(s) depending on the ways in which the tool is used especially what kind of workpiece is processed.

**⚠ WARNING:** Be sure to identify safety measures to protect the operator that are based on an estimation of exposure in the actual conditions of use (taking account of all parts of the operating cycle such as the times when the tool is switched off and when it is running idle in addition to the trigger time).

## EC Declaration of Conformity

### For European countries only

The EC declaration of conformity is included as Annex A to this instruction manual.

# SAFETY WARNINGS

## General power tool safety warnings

**⚠ WARNING:** Read all safety warnings, instructions, illustrations and specifications provided with this power tool. Failure to follow all instructions listed below may result in electric shock, fire and/or serious injury.

## Save all warnings and instructions for future reference.

The term "power tool" in the warnings refers to your mains-operated (corded) power tool or battery-operated (cordless) power tool.

## Electric Breaker safety warnings

1. **Wear ear protectors.** Exposure to noise can cause hearing loss.
2. **Use auxiliary handle(s), if supplied with the tool.** Loss of control can cause personal injury.
3. **Hold power tool by insulated gripping surfaces, when performing an operation where the cutting accessory may contact hidden wiring or its own cord.** Cutting accessory contacting a "live" wire may make exposed metal parts of the power tool "live" and could give the operator an electric shock.
4. **Wear a hard hat (safety helmet), safety glasses and/or face shield.** Ordinary eye or sun glasses are NOT safety glasses. It is also highly recommended that you wear a dust mask and thickly padded gloves.
5. **Be sure the bit is secured in place before operation.**
6. **Under normal operation, the tool is designed to produce vibration. The screws can come loose easily, causing a breakdown or accident. Check tightness of screws carefully before operation.**
7. **In cold weather or when the tool has not been used for a long time, let the tool warm up for a while by operating it under no load. This will loosen up the lubrication. Without proper warm-up, hammering operation is difficult.**

8. **Always be sure you have a firm footing. Be sure no one is below when using the tool in high locations.**
9. **Hold the tool firmly with both hands.**
10. **Keep hands away from moving parts.**
11. **Do not leave the tool running. Operate the tool only when hand-held.**
12. **Do not point the tool at any one in the area when operating. The bit could fly out and injure someone seriously.**
13. **Do not touch the bit, parts close to the bit, or workpiece immediately after operation; they may be extremely hot and could burn your skin.**
14. **Some material contains chemicals which may be toxic. Take caution to prevent dust inhalation and skin contact. Follow material supplier safety data.**
15. **Do not touch the power plug with wet hands.**
16. **Before operation, make sure that there is no buried object such as electric pipe, water pipe or gas pipe in the working area. Otherwise, the bit may touch them, resulting an electric shock, electrical leakage or gas leak.**
17. **Do not operate the tool at no-load unnecessarily.**

## SAVE THESE INSTRUCTIONS.

**⚠ WARNING:** DO NOT let comfort or familiarity with product (gained from repeated use) replace strict adherence to safety rules for the subject product. MISUSE or failure to follow the safety rules stated in this instruction manual may cause serious personal injury.

# FUNCTIONAL DESCRIPTION

**⚠ CAUTION:** Always be sure that the tool is switched off and unplugged before adjusting or checking function on the tool.

## Switch action

**⚠ CAUTION:** Before plugging in the tool, always check to see that the switch lever actuates properly and returns to the "OFF" position.

**⚠ CAUTION:** Switch can be locked in "ON" position for ease of operator comfort during extended use. Apply caution when locking tool in "ON" position and maintain firm grasp on tool.

To start the tool, push the switch lever "ON (I)" on the left side of the tool. To stop the tool, push the switch lever "OFF (O)" on the right side of the tool.

► Fig.1: 1. Switch lever

## Indicator lamp

The power-ON indicator lamp lights up in green when the tool is plugged.

If the indicator lamp does not light up, the mains cord or the controller may be malfunction.

The indicator lamp lights up but the tool does not start even if the tool is switched on, the carbon brushes may be worn out, or the controller, the motor or the switch may be malfunction.

The service indicator lamp flickers up in red when the carbon brushes are nearly worn out to indicate that the tool needs servicing.

After approx. 8 hours of use, the motor will automatically be shut off.

- **Fig.2:** 1. Power-ON indicator lamp (green)  
2. Service indicator lamp (red)

## Electronic function

The tool is equipped with the electronic functions for easy operation.

- Soft no-load rotation function  
(For Model HM1511, HM1512 only)  
Blows at no load per minute becomes smaller than those on load in order to reduce vibration under no load, but this does not show trouble.  
Once operation starts with a bit against concrete, blows per minute increase.  
When temperature is low, the tool may not have this function even with the motor rotating.
- Soft start  
The soft-start function minimizes start-up shock, and makes the machine start smoothly.

## ASSEMBLY

**CAUTION:** Always be sure that the tool is switched off and unplugged before carrying out any work on the tool.

### Side handle (auxiliary handle)

**CAUTION:** Always use the side handle to ensure safe operation.

**CAUTION:** After installing or adjusting the side handle, make sure that the side handle is firmly secured.

The side handle can be swung 360° on the vertical and secured at any desired position.

Loosen the clamp nut to swing the side handle to a desired position, and then tighten the clamp nut securely.

- **Fig.3:** 1. Side handle 2. Clamp nut

## Installing or removing the bit

### Grease

Clean the shank end of the bit and apply grease before installing the bit.

Coat the shank end of the bit beforehand with a small amount of grease (about 0.5 - 1 g). This chuck lubrication assures smooth action and longer service life.

- **Fig.4:** 1. Shank end 2. Grease

### Installing the bit

**CAUTION:** Always assure that the bit is securely retained by attempting to pull the bit out of the tool holder after completing the above procedure.

### For Model HM1511, HM1501 only

With the notched portion on the shank of the bit facing toward the tool retainer, insert the bit into the tool holder as far as it will go. Then pull out and turn the tool retainer 180° to secure the bit.

- **Fig.5:** 1. Bit 2. Tool retainer 3. Tool holder

### For Model HM1512, HM1502 only

This tool accepts bits either with or without a collar on its shank.

- **Fig.6:** 1. Bit with collar 2. Bit without collar

To install the bit, follow either procedure (1) or (2) described below.

**NOTICE:** The bit without a collar cannot be retained by procedure (1).

- (1) **For bits with a collar**  
Pivot the tool retainer as shown in the figure.  
Insert the bit into the tool holder as far as it will go.

### When inserting the bit

- **Fig.7:** 1. Bit 2. Tool retainer 3. Tool holder

To secure the bit, return the tool retainer as shown in the figure.

### When the bit is retained

- **Fig.8:** 1. Bit 2. Tool retainer

(2) **For bits without a collar**

Pivot the tool retainer as shown in the figure.  
With the notched portion of the bit facing the tool retainer shaft, insert the bit into the tool holder as far as it will go.

### When inserting the bit

- **Fig.9:** 1. Bit 2. Tool retainer 3. Tool holder

To secure the bit, pivot the tool retainer as shown in the figure.

### When the bit is retained

- **Fig.10:** 1. Bit 2. Tool retainer

## Removing the bit

To remove the bit, follow the installation procedure in reverse.

## Dust extractor attachment

### Optional accessory

The dust extractor attachment is intended for reducing blown-away dust and particles when chiseling in a ceramic material such as concrete.

1. Install the hose holder (A).

Loosen the clamp nut, and then remove the hex bolt. Install the hose holder (A) between the hex bolt and the clamp nut by tightening the clamp nut firmly.

► **Fig.11:** 1. Hex bolt 2. Hose holder (A) 3. Clamp nut

2. Attach the hose holder (C) to the cord guard.

► **Fig.12:** 1. Cord guard 2. Hose holder (C)

3. Attach the dust cover and the hose to the tool, and then fix the hose to the hose holders.

► **Fig.13:** 1. Dust cover 2. Hose 3. Hose holder (A)  
4. Hose holder (C)

4. Connect the hose to the hose of the vacuum cleaner with the hose joint.

**NOTE:** If the hose is not included, attach the dust cover to the cleaner's joint or attach it to Makita's hose  $\varnothing 28$ .

5. Adjust the distance between the dust cover and the tip of the chisel or bull point.

For the self sharpening bull point, adjust the dust cover not to veil the grooves of the self sharpening bull point.

For the bits other than the self sharpening bull point, the recommended distance is 30 mm to 100 mm.

► **Fig.14:** 1. Groove 2. 30 mm to 100 mm

## OPERATION

**CAUTION:** Always use the side grip (auxiliary handle) and firmly hold the tool by both side grip and switch handle during operations.

**CAUTION:** Always make sure that the workpiece is secured before operation. Failure to properly secure the workpiece may cause the workpiece to move resulting in injury.

**CAUTION:** Do not pull the tool out forcibly even the bit gets stuck. Loss of control may cause injury.

**CAUTION:** Do not leave the tool stabbed in the workpiece. Otherwise the tool may start unintentionally and cause an injury.

## Chipping/Scaling/Demolition

Hold the tool firmly with both hands. Turn the tool on and apply slight pressure on the tool so that the tool will not bounce around, uncontrolled. Pressing very hard on the tool will not increase the efficiency.

► **Fig.15**

## MAINTENANCE

**CAUTION:** Always be sure that the tool is switched off and unplugged before attempting to perform inspection or maintenance.

**NOTICE:** Never use gasoline, benzine, thinner, alcohol or the like. Discoloration, deformation or cracks may result.

To maintain product SAFETY and RELIABILITY, repairs, any other maintenance or adjustment should be performed by Makita Authorized or Factory Service Centers, always using Makita replacement parts.

## Lubrication

**CAUTION:** This servicing should be performed by Makita Authorized Service Centers only.

This tool requires no hourly or daily lubrication because it has a grease-packed lubrication system. It should be relubricated regularly. Send the complete tool to Makita Authorized or Factory Service Center for this lubrication service.

## OPTIONAL ACCESSORIES

**CAUTION:** These accessories or attachments are recommended for use with your Makita tool specified in this manual. The use of any other accessories or attachments might present a risk of injury to persons. Only use accessory or attachment for its stated purpose.

If you need any assistance for more details regarding these accessories, ask your local Makita Service Center.

- Bull point
- Cold chisel
- Scaling chisel
- Clay spade
- Rammer
- Bit grease
- Dust extractor attachment
- Safety goggles
- Hammer carrier

**NOTE:** Some items in the list may be included in the tool package as standard accessories. They may differ from country to country.

## SPÉCIFICATIONS

Modèle :	HM1511	HM1501	HM1512	HM1502
Frappes par minute	1 300 min <sup>-1</sup>			
Longueur totale	781 mm		809 mm	
Poids net	19,2 kg	18,4 kg	20,4 kg	19,7 kg
Catégorie de sécurité	☐/II			
Fonction de rotation progressive à vide	✓	-	✓	-

- Étant donné l'évolution constante de notre programme de recherche et de développement, les spécifications contenues dans ce manuel sont sujettes à modification sans préavis.
- Les spécifications peuvent varier suivant les pays.
- Le poids peut être différent selon les accessoires. Les associations la plus légère et la plus lourde, conformément à la procédure EPTA 01/2014, sont indiquées dans le tableau.

### Utilisation prévue

L'outil est conçu pour le ciselage dans le béton, la brique, la pierre et l'asphalte ainsi que pour le perçage et le compactage avec des accessoires appropriés.

### Alimentation

L'outil ne devra être raccordé qu'à une alimentation de la même tension que celle qui figure sur la plaque signalétique, et il ne pourra fonctionner que sur un courant secteur monophasé. Réalisé avec une double isolation, il peut de ce fait être alimenté par une prise sans mise à la terre.

### Bruit

Niveau de bruit pondéré A typique, déterminé selon EN60745-2-6 :

#### Modèle HM1511

Niveau de pression sonore ( $L_{pA}$ ) : 85 dB (A)  
 Niveau de puissance sonore ( $L_{WA}$ ) : 105 dB (A)  
 Incertitude (K) : 1,57 dB (A)

#### Modèle HM1501

Niveau de pression sonore ( $L_{pA}$ ) : 84 dB (A)  
 Niveau de puissance sonore ( $L_{WA}$ ) : 104 dB (A)  
 Incertitude (K) : 2,02 dB (A)

#### Modèle HM1512

Niveau de pression sonore ( $L_{pA}$ ) : 84 dB (A)  
 Niveau de puissance sonore ( $L_{WA}$ ) : 104 dB (A)  
 Incertitude (K) : 1,76 dB (A)

#### Modèle HM1502

Niveau de pression sonore ( $L_{pA}$ ) : 85 dB (A)  
 Niveau de puissance sonore ( $L_{WA}$ ) : 105 dB (A)  
 Incertitude (K) : 1,79 dB (A)

**NOTE** : La ou les valeurs d'émission de bruit déclarées ont été mesurées conformément à la méthode de test standard et peuvent être utilisées pour comparer les outils entre eux.

**NOTE** : La ou les valeurs d'émission de bruit déclarées peuvent aussi être utilisées pour l'évaluation préliminaire de l'exposition.

**⚠ AVERTISSEMENT** : Portez un serre-tête antibruit.

**⚠ AVERTISSEMENT** : L'émission de bruit lors de l'usage réel de l'outil électrique peut être différente de la ou des valeurs déclarées, suivant la façon dont l'outil est utilisé, particulièrement selon le type de pièce usinée.

**⚠ AVERTISSEMENT** : Les mesures de sécurité à prendre pour protéger l'utilisateur doivent être basées sur une estimation de l'exposition dans des conditions réelles d'utilisation (en tenant compte de toutes les composantes du cycle d'utilisation, comme par exemple le moment de sa mise hors tension, lorsqu'il tourne à vide et le moment de son déclenchement).

### Vibrations

Valeur totale de vibrations (somme de vecteur triaxial) déterminée selon EN60745-2-6 :

#### Modèle HM1511

Mode de travail : ciselage  
 Émission de vibrations ( $a_{h, Cheq}$ ) : 6,5 m/s<sup>2</sup>  
 Incertitude (K) : 1,5 m/s<sup>2</sup>

#### Modèle HM1501

Mode de travail : ciselage  
 Émission de vibrations ( $a_{h, ID}$ ) : 14,5 m/s<sup>2</sup>  
 Incertitude (K) : 1,5 m/s<sup>2</sup>

#### Modèle HM1512

Mode de travail : ciselage  
 Émission de vibrations ( $a_{h, ID}$ ) : 6,5 m/s<sup>2</sup>  
 Incertitude (K) : 1,5 m/s<sup>2</sup>

#### Modèle HM1502

Mode de travail : ciselage  
 Émission de vibrations ( $a_{h, ID}$ ) : 14,5 m/s<sup>2</sup>  
 Incertitude (K) : 1,5 m/s<sup>2</sup>

**NOTE** : La ou les valeurs de vibration totales déclarées ont été mesurées conformément à la méthode de test standard et peuvent être utilisées pour comparer les outils entre eux.

**NOTE** : La ou les valeurs de vibration totales déclarées peuvent aussi être utilisées pour l'évaluation préliminaire de l'exposition.

**⚠️ AVERTISSEMENT** : L'émission de vibrations lors de l'usage réel de l'outil électrique peut être différente de la ou des valeurs déclarées, suivant la façon dont l'outil est utilisé, particulièrement selon le type de pièce usinée.

**⚠️ AVERTISSEMENT** : Les mesures de sécurité à prendre pour protéger l'utilisateur doivent être basées sur une estimation de l'exposition dans des conditions réelles d'utilisation (en tenant compte de toutes les composantes du cycle d'utilisation, comme par exemple le moment de sa mise hors tension, lorsqu'il tourne à vide et le moment de son déclenchement).

## Déclaration de conformité CE

*Pour les pays européens uniquement*

La déclaration de conformité CE est fournie en Annexe A à ce mode d'emploi.

## CONSIGNES DE SÉCURITÉ

### Consignes de sécurité générales pour outils électriques

**⚠️ AVERTISSEMENT** : Veuillez lire les consignes de sécurité, instructions, illustrations et spécifications qui accompagnent cet outil électrique. Le non-respect de toutes les instructions indiquées ci-dessous peut entraîner une électrocution, un incendie et/ou de graves blessures.

### Conservez toutes les mises en garde et instructions pour référence ultérieure.

Le terme « outil électrique » dans les avertissements fait référence à l'outil électrique alimenté par le secteur (avec cordon d'alimentation) ou à l'outil électrique fonctionnant sur batterie (sans cordon d'alimentation).

### Consignes de sécurité pour marteau-piqueur

- Portez des protecteurs d'oreilles.** L'exposition au bruit peut entraîner la surdité.
- Utilisez la ou les poignées auxiliaires, si l'outil en possède.** Toute perte de maîtrise de l'outil comporte un risque de blessure.
- Tenez l'outil électrique par une surface de prise isolée, lorsque vous effectuez une tâche où l'accessoire de coupe pourrait toucher un câblage caché ou son propre cordon d'alimentation.** Le contact de l'accessoire de coupe avec un fil sous tension peut transmettre du courant dans les pièces métalliques exposées de l'outil et électrocuter l'opérateur.
- Portez un casque de sécurité (casque de chantier), des lunettes de sécurité et/ou un écran facial.** Les lunettes de vue ou les lunettes de soleil NE sont PAS des lunettes de sécurité. Il est également vivement recommandé de porter un masque anti-poussière et des gants matelassés.
- Avant utilisation, assurez-vous que le foret est bien fixé en place.**
- Dans des conditions normales de fonctionnement, l'outil est conçu pour émettre des vibrations.** Les vis peuvent se desserrer facilement et provoquer une panne ou un accident. Avant utilisation, vérifiez soigneusement que les vis sont bien serrées.
- Par temps froid ou si l'outil n'a pas été utilisé pendant longtemps, laissez-le chauffer un instant en le faisant fonctionner à vide.** Cela ramollira le lubrifiant. Si vous ne chauffez pas adéquatement l'outil, le martelage s'exécutera difficilement.
- Assurez-vous toujours de travailler en position stable.** Veillez à ce que personne ne se trouve en dessous de vous quand vous utilisez l'outil en hauteur.
- Tenez l'outil fermement à deux mains.**
- Éloignez les mains des pièces en mouvement.**
- Ne vous éloignez pas en laissant l'outil tourner.** Ne le faites fonctionner que lorsque vous l'avez bien en main.
- Ne pointez l'outil vers personne dans la zone d'utilisation.** Le foret peut être projeté et blesser gravement quelqu'un.
- Ne touchez pas le foret, les pièces situées près du foret ou la pièce immédiatement après utilisation ; ils peuvent être extrêmement chauds et vous brûler la peau.**
- Certains matériaux contiennent des produits chimiques qui peuvent être toxiques.** Prenez garde de ne pas avaler la poussière et évitez tout contact avec la peau. Suivez les données de sécurité du fournisseur du matériau.
- Ne touchez pas la prise d'alimentation avec des mains humides.**
- Avant utilisation, assurez-vous qu'aucun objet tel que des conduites électriques, des tuyaux d'eau ou des tuyaux de gaz ne sont pas entrés sous la zone de travail.** Sinon, le foret risque de les toucher, ce qui peut entraîner une électrocution, une dispersion électrique ou une fuite de gaz.
- Ne faites pas tourner l'outil à vide inutilement.**

## CONSERVEZ CES INSTRUCTIONS.

**⚠️ AVERTISSEMENT** : NE vous laissez PAS tromper (au fil d'une utilisation répétée) par un sentiment d'aisance et de familiarité avec le produit, en négligeant le respect rigoureux des consignes de sécurité qui accompagnent le produit en question. La MAUVAISE UTILISATION de l'outil ou l'ignorance des consignes de sécurité indiquées dans ce mode d'emploi peut entraîner de graves blessures.

## DESCRIPTION DU FONCTIONNEMENT

**⚠ ATTENTION :** Assurez-vous toujours que l'outil est hors tension et débranché avant de l'ajuster ou de vérifier son fonctionnement.

### Fonctionnement de la gâchette

**⚠ ATTENTION :** Avant de brancher l'outil, assurez-vous toujours que la gâchette allongée fonctionne correctement et revient en position d'arrêt.

**⚠ ATTENTION :** L'interrupteur peut être verrouillé sur la position « Marche » pour améliorer le confort de l'utilisateur pendant une utilisation prolongée. Soyez prudent lorsque vous verrouillez l'outil sur la position « Marche » et tenez-le fermement.

Pour démarrer l'outil, poussez la gâchette allongée sur « Marche (I) » sur le côté gauche de l'outil. Pour arrêter l'outil, poussez la gâchette allongée sur « Arrêt (O) » sur le côté droit de l'outil.

► **Fig.1:** 1. Gâchette allongée

### Voyant lumineux

Le voyant lumineux de marche s'allume en vert lorsque l'outil est branché.

Si le voyant lumineux ne s'allume pas, il se peut que le cordon secteur ou le contrôleur fonctionne mal.

Si le voyant lumineux est allumé, mais l'outil ne démarre pas alors qu'il est sous tension, il se peut que les balais en carbone soient usés ou que le contrôleur, le moteur ou la gâchette fonctionnent mal.

Le voyant lumineux de service scintille en rouge lorsque les balais en carbone sont presque usés pour indiquer que l'outil a besoin d'être dépanné.

Au bout de 8 heures d'utilisation environ, le moteur s'éteindra automatiquement.

► **Fig.2:** 1. Voyant lumineux de marche (vert)  
2. Voyant lumineux de service (rouge)

### Fonction électronique

L'outil est doté de fonctions électroniques pour en faciliter le fonctionnement.

- Fonction de rotation progressive à vide (Pour le modèle HM1511, HM1512 uniquement)  
Les frappes à vide par minute sont inférieures à celles en charge afin de réduire les vibrations en conditions à vide, mais cela n'indique pas un problème.  
Lorsque l'outil démarre avec un foret contre du béton, les frappes par minute augmentent.  
Si la température est basse, l'outil peut ne pas avoir cette fonction même avec le moteur tournant.
- Démarrage progressif  
La fonction de démarrage en douceur minimise le choc au démarrage et permet de démarrer la machine en douceur.

## ASSEMBLAGE

**⚠ ATTENTION :** Avant d'effectuer toute intervention sur l'outil, assurez-vous toujours qu'il est hors tension et débranché.

### Poignée de côté (poignée auxiliaire)

**⚠ ATTENTION :** Utilisez toujours la poignée de côté pour garantir votre sécurité.

**⚠ ATTENTION :** Après avoir mis en place ou réglé la poignée de côté, assurez-vous qu'elle est solidement fixée.

La poignée de côté peut être pivotée de 360° à la verticale et bloquée en place sur la position de votre choix. Desserrez l'écrou de serrage pour faire pivoter la poignée de côté sur la position souhaitée, puis serrez-le solidement.

► **Fig.3:** 1. Poignée de côté 2. Écrou de serrage

### Pose ou dépose du foret

#### Graisse

Nettoyez l'extrémité du foret et appliquez de la graisse avant de poser le foret.

Enduisez au préalable l'extrémité du foret avec une petite quantité de graisse (environ 0,5 à 1 g). Cette lubrification du mandrin garantit un mouvement fluide et prolonge la durée de vie utile.

► **Fig.4:** 1. Extrémité de la tige 2. Graisse

#### Pose du foret

**⚠ ATTENTION :** Assurez-vous toujours que le foret est solidement retenu en essayant de l'extraire du porte-outil après avoir terminé la procédure ci-dessus.

#### Pour le modèle HM1511, HM1501 uniquement

Avec la partie crantée sur la tige du foret tournée vers le serre-outil, insérez à fond le foret dans le porte-outil. Puis, sortez et tournez le serre-outil de 180° pour fixer le foret.

► **Fig.5:** 1. Foret 2. Serre-outil 3. Porte-outil

#### Pour le modèle HM1512, HM1502 uniquement

Cet outil accepte les forets avec ou sans collier sur la tige.

► **Fig.6:** 1. Foret avec collier 2. Foret sans collier

Pour poser le foret, suivez la procédure (1) ou (2) décrite ci-dessous.

**REMARQUE :** Le foret sans collier ne peut pas être retenu par la procédure (1).

### (1) Pour les forêts avec collier

Faites pivoter le serre-outil comme illustré sur la figure. Insérez à fond le foret dans le porte-outil.

#### Lors de l'insertion du foret

► Fig.7: 1. Foret 2. Serre-outil 3. Porte-outil

Pour fixer le foret, retournez le serre-outil comme illustré sur la figure.

#### Lorsque le foret est retenu

► Fig.8: 1. Foret 2. Serre-outil

### (2) Pour les forêts sans collier

Faites pivoter le serre-outil comme illustré sur la figure. Avec la partie crantée du foret tournée vers l'axe du serre-outil, insérez à fond le foret dans le porte-outil.

#### Lors de l'insertion du foret

► Fig.9: 1. Foret 2. Serre-outil 3. Porte-outil

Pour fixer le foret, faites pivoter le serre-outil comme illustré sur la figure.

#### Lorsque le foret est retenu

► Fig.10: 1. Foret 2. Serre-outil

## Retrait du foret

Pour retirer le foret, effectuez la procédure de pose dans l'ordre inverse.

## Accessoire extracteur de poussière

### Accessoire en option

L'accessoire extracteur de poussière est conçu pour réduire la poussière et les particules soufflées lors du ciselage dans un matériau céramique comme du béton.

1. Installez le support du tuyau (A).

Desserrez l'écrou de serrage, puis retirez le boulon hexagonal. Installez le support du tuyau (A) entre le boulon hexagonal et l'écrou de serrage en serrant fermement l'écrou de serrage.

► Fig.11: 1. Boulon hexagonal 2. Support du tuyau (A) 3. Écrou de serrage

2. Fixez le support du tuyau (C) sur le protège-cordon.

► Fig.12: 1. Protège-cordon 2. Support du tuyau (C)

3. Fixez le pare-poussière et le tuyau sur l'outil, puis fixez le tuyau sur les supports de tuyau.

► Fig.13: 1. Pare-poussière 2. Tuyau 3. Support du tuyau (A) 4. Support du tuyau (C)

4. Raccordez le tuyau au tuyau de l'aspirateur avec le joint de tuyau.

**NOTE :** Si le tuyau n'est pas fourni, fixez le pare-poussière au joint de l'aspirateur ou fixez-le sur le tuyau Makita ø28.

5. Réglez la distance entre le pare-poussière et la pointe du burin ou la pointe de broyage.

Pour la pointe de broyage autoaiguisante, ajustez le pare-poussière afin de ne pas voiler les rainures de la pointe.

Pour les forêts autres que la pointe de broyage autoaiguisante, la distance recommandée est de 30 mm à 100 mm.

► Fig.14: 1. Rainure 2. 30 mm à 100 mm

## UTILISATION

**ATTENTION :** Utilisez toujours la poignée latérale (poignée auxiliaire) et saisissez l'outil fermement par la poignée latérale et la poignée pistolet pendant l'utilisation.

**ATTENTION :** Avant l'utilisation, assurez-vous toujours que la pièce est bien fixée. Si la pièce n'est pas correctement fixée, elle risque de se déplacer et de provoquer des blessures.

**ATTENTION :** Ne forcez pas pour extraire l'outil même si le foret est coincé. La perte de maîtrise est propice aux blessures.

**ATTENTION :** Ne laissez pas l'outil planté dans la pièce. Autrement, l'outil risquerait de démarquer brusquement et de provoquer des blessures.

## Burinage/Écaillage/Démolition

Tenez l'outil fermement avec les deux mains. Mettez l'outil sous tension et exercez une légère pression dessus de façon à en garder la maîtrise et à éviter qu'il ne saute d'un côté ou de l'autre. Exercer une très grande pression sur l'outil n'augmentera pas l'efficacité de l'opération.

► Fig.15

## ENTRETIEN

**ATTENTION :** Assurez-vous toujours que l'outil est hors tension et débranché avant d'y effectuer tout travail d'inspection ou d'entretien.

**REMARQUE :** N'utilisez jamais d'essence, benzine, diluant, alcool ou autre produit similaire. Cela risquerait de provoquer la décoloration, la déformation ou la fissuration de l'outil.

Pour assurer la SÉCURITÉ et la FIABILITÉ du produit, toute réparation, tout travail d'entretien ou de réglage doivent être effectués par un centre d'entretien Makita agréé, avec des pièces de rechange Makita.

## Lubrification

**ATTENTION :** Cet entretien ne doit être effectué que par un centre de service Makita agréé.

Cet outil ne nécessite pas de lubrification horaire ou quotidienne, étant donné qu'il dispose d'un système de lubrification à la graisse. Il doit être régulièrement relubrifié. Confiez cet entretien de lubrification de l'outil entier au centre de service ou d'usine Makita agréé.



# ACCESSOIRES EN OPTION

**⚠ ATTENTION** : Ces accessoires ou pièces complémentaires sont recommandés pour l'utilisation avec l'outil Makita spécifié dans ce mode d'emploi. L'utilisation de tout autre accessoire ou pièce complémentaire peut comporter un risque de blessure. N'utilisez les accessoires ou pièces complémentaires qu'aux fins auxquelles ils ont été conçus.

Pour obtenir plus de détails sur ces accessoires, contactez votre centre d'entretien local Makita.

- Pic
- Ciseau à froid
- Ciseau à écailler
- Pelle à argile
- Pilon
- Graisse à forêt
- Accessoire extracteur de poussière
- Lunettes de sécurité
- Porte-marteaux

**NOTE** : Il se peut que certains éléments de la liste soient compris dans l'emballage de l'outil en tant qu'accessoires standard. Ils peuvent varier d'un pays à l'autre.



## TECHNISCHE DATEN

Modell:	HM1511	HM1501	HM1512	HM1502
Schlagzahl pro Minute	1.300 min <sup>-1</sup>			
Gesamtlänge	781 mm		809 mm	
Nettogewicht	19,2 kg	18,4 kg	20,4 kg	19,7 kg
Sicherheitsklasse	□/II			
Nulllast-Sanftthubfunktion	✓	-	✓	-

- Wir behalten uns vor, Änderungen der technischen Daten im Zuge der Entwicklung und des technischen Fortschritts ohne vorherige Ankündigung vorzunehmen.
- Die technischen Daten können von Land zu Land unterschiedlich sein.
- Das Gewicht kann abhängig von den Aufsätzen unterschiedlich sein. Die leichteste und die schwerste Kombination, gemäß dem EPTA-Verfahren 01/2014, sind in der Tabelle angegeben.

### Vorgesehene Verwendung

Das Werkzeug ist für Meißelarbeiten in Beton, Mauerwerk, Stein und Asphalt sowie zum Eintreiben und Verdichten mit entsprechendem Zubehör vorgesehen.

### Stromversorgung

Das Werkzeug sollte nur an eine Stromquelle angeschlossen werden, deren Spannung mit der Angabe auf dem Typenschild übereinstimmt, und kann nur mit Einphasen-Wechselstrom betrieben werden. Diese sind doppelt schutzisoliert und können daher auch an Steckdosen ohne Erdleiter verwendet werden.

### Geräusch

Typischer A-bewerteter Geräuschpegel ermittelt gemäß EN60745-2-6:

#### Modell HM1511

Schalldruckpegel ( $L_{pA}$ ): 85 dB (A)  
 Schallleistungspegel ( $L_{WA}$ ): 105 dB (A)  
 Messunsicherheit (K): 1,57 dB (A)

#### Modell HM1501

Schalldruckpegel ( $L_{pA}$ ): 84 dB (A)  
 Schallleistungspegel ( $L_{WA}$ ): 104 dB (A)  
 Messunsicherheit (K): 2,02 dB (A)

#### Modell HM1512

Schalldruckpegel ( $L_{pA}$ ): 84 dB (A)  
 Schallleistungspegel ( $L_{WA}$ ): 104 dB (A)  
 Messunsicherheit (K): 1,76 dB (A)

#### Modell HM1502

Schalldruckpegel ( $L_{pA}$ ): 85 dB (A)  
 Schallleistungspegel ( $L_{WA}$ ): 105 dB (A)  
 Messunsicherheit (K): 1,79 dB (A)

**HINWEIS:** Der (Die) angegebene(n) Schallemissionswert(e) wurde(n) im Einklang mit der Standardprüfmethode gemessen und kann (können) für den Vergleich zwischen Werkzeugen herangezogen werden.

**HINWEIS:** Der (Die) angegebene(n) Schallemissionswert(e) kann (können) auch für eine Vorbewertung des Gefährdungsgrads verwendet werden.

**⚠️ WARNUNG:** Einen Gehörschutz tragen.

**⚠️ WARNUNG:** Die Schallemission während der tatsächlichen Benutzung des Elektrowerkzeugs kann je nach der Benutzungsweise des Werkzeugs, und speziell je nach der Art des bearbeiteten Werkstücks, von dem (den) angegebenen Wert(en) abweichen.

**⚠️ WARNUNG:** Identifizieren Sie Sicherheitsmaßnahmen zum Schutz des Benutzers anhand einer Schätzung des Gefährdungsgrads unter den tatsächlichen Benutzungsbedingungen (unter Berücksichtigung aller Phasen des Arbeitszyklus, wie z. B. Ausschalt- und Leerlaufzeiten des Werkzeugs zusätzlich zur Betriebszeit).

### Schwingungen

Schwingungsgesamtwert (Drei-Achsen-Vektorsumme) ermittelt gemäß EN60745-2-6:

#### Modell HM1511

Arbeitsmodus: Meißeln  
 Schwingungsemission ( $a_{h, Cheq}$ ): 6,5 m/s<sup>2</sup>  
 Messunsicherheit (K): 1,5 m/s<sup>2</sup>

#### Modell HM1501

Arbeitsmodus: Meißeln  
 Schwingungsemission ( $a_{h, ID}$ ): 14,5 m/s<sup>2</sup>  
 Messunsicherheit (K): 1,5 m/s<sup>2</sup>

#### Modell HM1512

Arbeitsmodus: Meißeln  
 Schwingungsemission ( $a_{h, ID}$ ): 6,5 m/s<sup>2</sup>  
 Messunsicherheit (K): 1,5 m/s<sup>2</sup>

#### Modell HM1502

Arbeitsmodus: Meißeln  
 Schwingungsemission ( $a_{h, ID}$ ): 14,5 m/s<sup>2</sup>  
 Messunsicherheit (K): 1,5 m/s<sup>2</sup>

**HINWEIS:** Der (Die) angegebene(n) Vibrationsgesamtwert(e) wurde(n) im Einklang mit der Standardprüfmethode gemessen und kann (können) für den Vergleich zwischen Werkzeugen herangezogen werden.

**HINWEIS:** Der (Die) angegebene(n) Vibrationsgesamtwert(e) kann (können) auch für eine Vorbewertung des Gefährdungsgrads verwendet werden.

**⚠️ WARNUNG:** Die Vibrationsemission während der tatsächlichen Benutzung des Elektrowerkzeugs kann je nach der Benutzungsweise des Werkzeugs, und speziell je nach der Art des bearbeiteten Werkstücks, von dem (den) angegebenen Emissionswert(en) abweichen.

**⚠️ WARNUNG:** Identifizieren Sie Sicherheitsmaßnahmen zum Schutz des Benutzers anhand einer Schätzung des Gefährdungsgrads unter den tatsächlichen Benutzungsbedingungen (unter Berücksichtigung aller Phasen des Arbeitszyklus, wie z. B. Ausschalt- und Leerlaufzeiten des Werkzeugs zusätzlich zur Betriebszeit).

## EG-Konformitätserklärung

### Nur für europäische Länder

Die EG-Konformitätserklärung ist als Anhang A in dieser Bedienungsanleitung enthalten.

## SICHERHEITSWARNUNGEN

### Allgemeine Sicherheitswarnungen für Elektrowerkzeuge

**⚠️ WARNUNG:** Lesen Sie alle mit diesem Elektrowerkzeug gelieferten Sicherheitswarnungen, Anweisungen, Abbildungen und technischen Daten durch. Eine Missachtung der unten aufgeführten Anweisungen kann zu einem elektrischen Schlag, Brand und/oder schweren Verletzungen führen.

### Bewahren Sie alle Warnungen und Anweisungen für spätere Bezugnahme auf.

Der Ausdruck „Elektrowerkzeug“ in den Warnhinweisen bezieht sich auf Ihr mit Netzstrom (mit Kabel) oder Akku (ohne Kabel) betriebenes Elektrowerkzeug.

### Sicherheitswarnungen für Stemmmhammer

1. **Tragen Sie Gehörschützer.** Lärmeinwirkung kann Gehörschädigung verursachen.
2. **Benutzen Sie (einen) Zusatzgriff(e), sofern er (sie) mit dem Werkzeug geliefert wurde(n).** Verlust der Kontrolle kann Personenschäden verursachen.
3. **Halten Sie das Elektrowerkzeug nur an den isolierten Griffflächen, wenn Sie Arbeiten ausführen, bei denen die Gefahr besteht, dass verborgene Kabel oder das eigene Kabel kontaktiert werden.** Bei Kontakt mit einem Strom führenden Kabel können die freiliegenden Metallteile des Elektrowerkzeugs ebenfalls Strom führend werden, so dass der Benutzer einen elektrischen Schlag erleiden kann.
4. **Tragen Sie Schutzhelm, Schutzbrille und/oder Gesichtsschutz. Eine gewöhnliche Brille oder Sonnenbrille ist KEIN Ersatz für eine Schutzbrille. Das Tragen einer Staubmaske und dick gepolsterter Handschuhe ist ebenfalls zu empfehlen.**

5. **Vergewissern Sie sich vor der Arbeit, dass der Einsatz sicher montiert ist.**
6. **Das Werkzeug erzeugt konstruktionsbedingt Vibrationen bei normalem Betrieb. Durch Lockerung von Schrauben kann es zu einem Ausfall oder Unfall kommen. Unterziehen Sie die Schrauben vor der Arbeit einer sorgfältigen Festigkeitsprüfung.**
7. **Lassen Sie das Werkzeug bei niedrigen Temperaturen oder nach längerer Nichtbenutzung eine Zeit lang im Leerlauf warm laufen. Dadurch wird die Schmierung verbessert. Betrieb im kalten Zustand erschwert die Schlagbohrarbeit.**
8. **Achten Sie stets auf sicheren Stand. Vergewissern Sie sich bei Einsatz des Werkzeugs an hochgelegenen Arbeitsplätzen, dass sich keine Personen darunter aufhalten.**
9. **Halten Sie das Werkzeug mit beiden Händen fest.**
10. **Halten Sie Ihre Hände von beweglichen Teilen fern.**
11. **Lassen Sie das Werkzeug nicht unbeaufsichtigt laufen. Benutzen Sie das Werkzeug nur mit Handhaltung.**
12. **Richten Sie das Werkzeug während des Betriebs nicht auf umstehende Personen. Der Einsatz könnte heraus schnellen und schwere Verletzungen verursachen.**
13. **Vermeiden Sie eine Berührung des Einsatzes, der umliegenden Teile oder des Werkstücks unmittelbar nach der Bearbeitung, weil die Teile noch sehr heiß sind und Hautverbrennungen verursachen können.**
14. **Manche Materialien können giftige Chemikalien enthalten. Treffen Sie Vorsichtsmaßnahmen, um das Einatmen von Arbeitsstaub und Hautkontakt zu verhindern. Befolgen Sie die Sicherheitsdaten des Materiallieferanten.**
15. **Fassen Sie den Netzstecker nicht mit nassen Händen an.**
16. **Vergewissern Sie sich vor der Arbeit, dass sich keine verborgenen Objekte, wie etwa eine elektrische Leitung, ein Wasserrohr oder ein Gasrohr, im Arbeitsbereich befinden. Anderenfalls kann der Einsatz damit in Berührung kommen und einen elektrischen Schlag, einen Leckstrom oder ein Gasleck verursachen.**
17. **Lassen Sie das Werkzeug nicht unnötig im Leerlauf laufen.**

## DIESE ANWEISUNGEN AUFBEWAHREN.

**⚠️ WARNUNG:** Lassen Sie sich NICHT durch Bequemlichkeit oder Vertrautheit mit dem Produkt (durch wiederholten Gebrauch erworben) von der strikten Einhaltung der Sicherheitsregeln für das vorliegende Produkt abhalten. MISSBRAUCH oder Missachtung der Sicherheitsvorschriften in dieser Anleitung können schwere Verletzungen verursachen.

## FUNKTIONSBESCHREIBUNG

**⚠ VORSICHT:** Vergewissern Sie sich vor jeder Einstellung oder Funktionsprüfung des Werkzeugs stets, dass es ausgeschaltet und vom Stromnetz getrennt ist.

### Schalterfunktion

**⚠ VORSICHT:** Vergewissern Sie sich vor dem Anschließen des Werkzeugs an das Stromnetz stets, dass der Schalthebel ordnungsgemäß funktioniert und beim Loslassen in die AUS-Stellung zurückkehrt.

**⚠ VORSICHT:** Der Schalter kann zur Arbeitserleichterung bei längerem Einsatz in der EIN-Stellung verriegelt werden. Lassen Sie Vorsicht walten, wenn Sie den Schalter in der EIN-Stellung verriegeln, und halten Sie das Werkzeug mit festem Griff.

Drücken Sie zum Starten des Werkzeugs den Hebelschalter auf der linken Seite des Werkzeugs in die Stellung „ON (I)“. Drücken Sie zum Stoppen des Werkzeugs den Hebelschalter auf der rechten Seite des Werkzeugs in die Stellung „OFF (O)“.

► **Abb.1:** 1. Schalthebel

### Anzeigenleuchte

Die Einschalt-Anzeigelampe leuchtet grün auf, wenn das Werkzeug angeschlossen wird. Leuchtet die Anzeigelampe nicht auf, ist möglicherweise das Netzkabel oder die Steuerschaltung defekt. Läuft das Werkzeug trotz leuchtender Anzeigelampe nicht an, wenn es eingeschaltet wird, sind möglicherweise die Kohlebürsten abgenutzt, oder die Steuerschaltung, der Motor oder der Schalter ist defekt. Wenn die Kohlebürsten nahezu abgenutzt sind, blinkt die Service-Anzeigelampe in Rot, um anzuzeigen, dass das Werkzeug eine Wartung benötigt. Nach ca. 8 Betriebsstunden wird der Motor automatisch abgeschaltet.

► **Abb.2:** 1. Anzeigenleuchte für Strom (grün)  
2. Service-Anzeigenleuchte (rot)

### Elektronikfunktionen

Das Werkzeug ist für komfortablen Betrieb mit Elektronikfunktionen ausgestattet.

- Nulllast-Sanfthubfunktion  
(Nur für Modell HM1511, HM1512)  
Die Schlagzahl pro Minute bei Nulllast wird kleiner als die bei Last, um Vibrationen unter Nulllast zu reduzieren, was aber keine Störung darstellt. Sobald der Betrieb mit einem Einsatz gegen Beton beginnt, nimmt die Schlagzahl pro Minute zu. Bei niedriger Temperatur hat das Werkzeug diese Funktion möglicherweise selbst bei laufendem Motor nicht.
- Sanftanlauf  
Die Sanftanlauf-Funktion reduziert Anlaufstöße auf ein Minimum und bewirkt ruckfreies Anlaufen der Maschine.

## MONTAGE

**⚠ VORSICHT:** Vergewissern Sie sich vor der Ausführung von Arbeiten am Werkzeug stets, dass es ausgeschaltet und vom Stromnetz getrennt ist.

### Seitengriff (Zusatzgriff)

**⚠ VORSICHT:** Verwenden Sie stets den Seitenhandgriff, um sicheren Betrieb zu gewährleisten.

**⚠ VORSICHT:** Vergewissern Sie sich nach dem Montieren oder Einstellen des Seitenhandgriffs, dass der Seitenhandgriff einwandfrei gesichert ist.

Der Seitenhandgriff kann vertikal um 360° geschwenkt und in jeder gewünschten Position gesichert werden. Lösen Sie die Knebelmutter, um den Seitenhandgriff auf die gewünschte Position zu schwenken, und ziehen Sie dann die Knebelmutter sicher fest.

► **Abb.3:** 1. Seitenhandgriff 2. Knebelmutter

### Montage und Demontage des Einsatzes

#### Schmierfett

Reinigen Sie das Schaftende des Einsatzes, und tragen Sie Schmierfett auf, bevor Sie den Einsatz montieren. Tragen Sie vor der Arbeit eine kleine Menge Schmierfett (etwa 0,5 - 1 g) auf das Schaftende des Einsatzes auf. Diese Fetterschmierung gewährleistet reibungslosen Betrieb und längere Lebensdauer.

► **Abb.4:** 1. Schaftende 2. Schmierfett

#### Montieren des Einsatzes

**⚠ VORSICHT:** Vergewissern Sie sich nach diesen Arbeitsschritten, dass der Einsatz sicher sitzt, indem Sie versuchen, ihn aus dem Werkzeughalter zu ziehen.

#### Nur für Modell HM1511, HM1501

Richten Sie den eingekerbten Teil des Einsatzschafte auf die Werkzeugaufnahme aus, und führen Sie den Einsatz bis zum Anschlag in den Werkzeughalter ein. Wenn Sie dann die Werkzeugaufnahme herausziehen und um 180° drehen, wird der Einsatz gesichert.

► **Abb.5:** 1. Einsatz 2. Feststelleinrichtung  
3. Werkzeughalter

#### Nur für Modell HM1512, HM1502

Das Werkzeug nimmt Einsätze mit und ohne gekerbten Schaft auf.

► **Abb.6:** 1. Einsatz mit Manschette 2. Einsatz ohne Manschette

Zum Anbringen des Einsatzes befolgen Sie entweder die unten beschriebene Prozedur (1) oder (2).

**ANMERKUNG:** Ein Einsatz ohne Bund lässt sich durch das Verfahren (1) nicht halten.

- (1) **Für Einsätze mit Bund**  
Schwenken Sie den Werkzeughalter, wie in der Abbildung gezeigt. Führen Sie den Einsatz bis zum Anschlag in die Werkzeugaufnahme ein.

#### Beim Einführen des Einsatzes

- **Abb.7:** 1. Einsatz 2. Feststelleinrichtung  
3. Werkzeughalter

Um den Einsatz zu sichern, stellen Sie den Werkzeughalter zurück, wie in der Abbildung gezeigt.

#### Bei gesichertem Einsatz

- **Abb.8:** 1. Einsatz 2. Feststelleinrichtung

- (2) **Für Einsätze ohne Bund**  
Schwenken Sie den Werkzeughalter, wie in der Abbildung gezeigt. Mit dem eingekerbten Teil des Einsatzes auf die Werkzeughalterwelle gerichtet, führen Sie den Einsatz bis zum Anschlag in die Werkzeugaufnahme ein.

#### Beim Einführen des Einsatzes

- **Abb.9:** 1. Einsatz 2. Feststelleinrichtung  
3. Werkzeughalter

Um den Einsatz zu sichern, schwenken Sie den Werkzeughalter, wie in der Abbildung gezeigt.

#### Bei gesichertem Einsatz

- **Abb.10:** 1. Einsatz 2. Feststelleinrichtung

## Entfernen des Einsatzes

Zum Entnehmen des Einsatzes befolgen Sie die Einbauprozedur rückwärts.

## Staubabsaugvorrichtung

### Sonderzubehör

Die Staubabsaugvorrichtung ist zum Verringern von weggeblasenem Staub und Partikeln vorgesehen, wenn Meißelarbeiten in einem Keramikmaterial, wie z. B. Beton, durchgeführt werden.

1. Installieren Sie den Schlauchhalter (A).

Lösen Sie die Knebelmutter, und entfernen Sie dann die Sechskantschraube. Installieren Sie den Schlauchhalter (A) zwischen der Sechskantschraube und der Knebelmutter, indem Sie die Knebelmutter fest anziehen.

- **Abb.11:** 1. Sechskantschraube 2. Schlauchhalter (A) 3. Knebelmutter

2. Befestigen Sie den Schlauchhalter (C) am Kabelschutz.

- **Abb.12:** 1. Kabelschutz 2. Schlauchhalter (C)

3. Bringen Sie den Staubfänger und den Schlauch am Werkzeug an, und befestigen Sie dann den Schlauch an den Schlauchhaltern.

- **Abb.13:** 1. Staubfänger 2. Schlauch  
3. Schlauchhalter (A) 4. Schlauchhalter (C)

4. Verbinden Sie den Schlauch über die Verbindungsmuffe mit dem Schlauch des Sauggeräts.

**HINWEIS:** Falls der Schlauch nicht mitgeliefert ist, bringen Sie den Staubfänger an der Verbindungsmuffe des Sauggeräts oder an Makitas Schlauch  $\varnothing 28$  an.

5. Stellen Sie den Abstand zwischen dem Staubfänger und der Spitze des Meißels oder Spitzmeißels ein.

Stellen Sie den Staubfänger für den selbstschärfenden Spitzmeißel so ein, dass er die Nuten des selbstschärfenden Spitzmeißels nicht verhüllt.

Für andere Einsätze außer dem selbstschärfenden Spitzmeißel beträgt der empfohlene Abstand 30 mm bis 100 mm.

- **Abb.14:** 1. Nut 2. 30 mm bis 100 mm

## BETRIEB

**⚠ VORSICHT:** Montieren Sie stets den Seitengriff (Zusatzgriff), und halten Sie das Werkzeug während der Arbeit mit beiden Händen am Seitengriff und Schaltergriff fest.

**⚠ VORSICHT:** Vergewissern Sie sich vor der Arbeit immer, dass das Werkstück gesichert ist. Wird das Werkstück nicht ordnungsgemäß gesichert, kann sich das Werkstück bewegen, was zu einer Verletzung führen kann.

**⚠ VORSICHT:** Ziehen Sie das Werkzeug selbst bei klemmendem Einsatz nicht gewaltsam heraus. Verlust der Kontrolle kann Verletzungen verursachen.

**⚠ VORSICHT:** Lassen Sie das Werkzeug nicht im Werkstück stecken. Anderenfalls kann das Werkzeug durch unbeabsichtigtes Anlaufen eine Verletzung verursachen.

## Meißeln/Abklopfen/Demolieren

Halten Sie das Werkzeug mit beiden Händen fest. Schalten Sie das Werkzeug ein, und führen Sie es mit leichtem Druck, damit es nicht unkontrolliert springt. Übermäßige Druckausübung auf das Werkzeug bewirkt keine Erhöhung der Arbeitsleistung.

- **Abb.15**

## WARTUNG

**⚠ VORSICHT:** Vergewissern Sie sich vor der Durchführung von Überprüfungen oder Wartungsarbeiten stets, dass das Werkzeug ausgeschaltet und vom Stromnetz getrennt ist.

**ANMERKUNG:** Verwenden Sie auf keinen Fall Benzin, Waschbenzin, Verdünnern, Alkohol oder dergleichen. Solche Mittel können Verfärbung, Verformung oder Rissbildung verursachen.

Um die SICHERHEIT und ZUVERLÄSSIGKEIT dieses Produkts zu gewährleisten, sollten Reparaturen und andere Wartungs- oder Einstellarbeiten nur von Makita-Vertragswerkstätten oder Makita-Kundendienstzentren unter ausschließlicher Verwendung von Makita-Originalersatzteilen ausgeführt werden.

## Schmierung

**⚠ VORSICHT:** Diese Wartungsarbeit sollte nur von autorisierten Makita-Servicecentern durchgeführt werden.

Dieses Werkzeug muss nicht stündlich oder täglich gefettet werden, da es über ein fettgeschmiertes Schmiermittelsystem verfügt. Es sollte regelmäßig geschmiert werden. Senden Sie für diesen Schmierdienst das Werkzeug an ein von Makita autorisiertes oder an ein Werks-Servicecenter.

## SONDERZUBEHÖR

**⚠ VORSICHT:** Die folgenden Zubehörteile oder Vorrichtungen werden für den Einsatz mit dem in dieser Anleitung beschriebenen Makita-Werkzeug empfohlen. Die Verwendung anderer Zubehörteile oder Vorrichtungen kann eine Verletzungsgefahr darstellen. Verwenden Sie Zubehörteile oder Vorrichtungen nur für ihren vorgesehenen Zweck.

Wenn Sie weitere Einzelheiten bezüglich dieser Zubehörteile benötigen, wenden Sie sich bitte an Ihre Makita-Kundendienststelle.

- Spitzmeißel
- Flachmeißel
- Putzmeißel
- Lehmspaten
- Ramme
- Bohrerfett
- Staubabsaugvorrichtung
- Schutzbrille
- Hammerträger

**HINWEIS:** Manche Teile in der Liste können als Standardzubehör im Werkzeugsatz enthalten sein. Sie können von Land zu Land unterschiedlich sein.

## DATI TECNICI

Modello:	HM1511	HM1501	HM1512	HM1502
Colpi al minuto	1.300 min <sup>-1</sup>			
Lunghezza complessiva	781 mm		809 mm	
Peso netto	19,2 kg	18,4 kg	20,4 kg	19,7 kg
Classe di sicurezza	II/III			
Funzione di rotazione morbida a vuoto	✓	-	✓	-

- In conseguenza del nostro programma di ricerca e sviluppo continui, i dati tecnici nel presente manuale sono soggetti a modifiche senza preavviso.
- I dati tecnici possono variare da nazione a nazione.
- Il peso può variare a seconda dell'accessorio o degli accessori. La combinazione più leggera e quella più pesante, in base alla Procedura EPTA 01/2014, sono indicate nella tabella.

### Uso previsto

L'utensile è destinato a lavori di scalpellatura di calcestruzzo, mattoni, pietra e asfalto, nonché alla perforazione e al compattamento, con gli accessori appropriati.

### Alimentazione

L'utensile deve essere collegato a una fonte di alimentazione con la stessa tensione indicata sulla targhetta del nome, e può funzionare solo a corrente alternata monofase. L'utensile è dotato di doppio isolamento, per cui può essere utilizzato con prese elettriche sprovviste di messa a terra.

### Rumore

Livello tipico di rumore pesato A determinato in base allo standard EN60745-2-6:

#### Modello HM1511

Livello di pressione sonora ( $L_{pA}$ ): 85 dB (A)  
 Livello di potenza sonora ( $L_{WA}$ ): 105 dB (A)  
 Incertezza (K): 1,57 dB (A)

#### Modello HM1501

Livello di pressione sonora ( $L_{pA}$ ): 84 dB (A)  
 Livello di potenza sonora ( $L_{WA}$ ): 104 dB (A)  
 Incertezza (K): 2,02 dB (A)

#### Modello HM1512

Livello di pressione sonora ( $L_{pA}$ ): 84 dB (A)  
 Livello di potenza sonora ( $L_{WA}$ ): 104 dB (A)  
 Incertezza (K): 1,76 dB (A)

#### Modello HM1502

Livello di pressione sonora ( $L_{pA}$ ): 85 dB (A)  
 Livello di potenza sonora ( $L_{WA}$ ): 105 dB (A)  
 Incertezza (K): 1,79 dB (A)

**NOTA:** Il valore o i valori dichiarati delle emissioni di rumori sono stati misurati in conformità a un metodo standard di verifica, e possono essere utilizzati per confrontare un utensile con un altro.

**NOTA:** Il valore o i valori dichiarati delle emissioni di rumori possono venire utilizzati anche per una valutazione preliminare dell'esposizione.

**AVVERTIMENTO:** Indossare protezioni per le orecchie.

**AVVERTIMENTO:** L'emissione di rumori durante l'utilizzo effettivo dell'utensile elettrico può variare rispetto al valore o ai valori dichiarati, a seconda dei modi in cui viene utilizzato l'utensile e specialmente a seconda di che tipo di pezzo venga lavorato.

**AVVERTIMENTO:** Accertarsi di identificare misure di sicurezza per la protezione dell'operatore che siano basate su una stima dell'esposizione nelle condizioni effettive di utilizzo (tenendo conto di tutte le parti del ciclo operativo, ad esempio del numero di spegnimenti dell'utensile e di quando giri a vuoto, oltre al tempo di attivazione).

### Vibrazioni

Valore totale delle vibrazioni (somma vettoriale triassiale) determinato in base allo standard EN60745-2-6:

#### Modello HM1511

Modalità di lavoro: scalpellatura  
 Emissione di vibrazioni ( $a_{h,Chaq}$ ): 6,5 m/s<sup>2</sup>  
 Incertezza (K): 1,5 m/s<sup>2</sup>

#### Modello HM1501

Modalità di lavoro: scalpellatura  
 Emissione di vibrazioni ( $a_{h,ID}$ ): 14,5 m/s<sup>2</sup>  
 Incertezza (K): 1,5 m/s<sup>2</sup>

#### Modello HM1512

Modalità di lavoro: scalpellatura  
 Emissione di vibrazioni ( $a_{h,ID}$ ): 6,5 m/s<sup>2</sup>  
 Incertezza (K): 1,5 m/s<sup>2</sup>

#### Modello HM1502

Modalità di lavoro: scalpellatura  
 Emissione di vibrazioni ( $a_{h,ID}$ ): 14,5 m/s<sup>2</sup>  
 Incertezza (K): 1,5 m/s<sup>2</sup>

**NOTA:** Il valore o i valori complessivi delle vibrazioni dichiarati sono stati misurati in conformità a un metodo standard di verifica, e possono essere utilizzati per confrontare un utensile con un altro.

**NOTA:** Il valore o i valori complessivi delle vibrazioni dichiarati possono venire utilizzati anche per una valutazione preliminare dell'esposizione.

**⚠AVVERTIMENTO:** L'emissione delle vibrazioni durante l'utilizzo effettivo dell'utensile elettrico può variare rispetto al valore o ai valori dichiarati, a seconda dei modi in cui viene utilizzato l'utensile, specialmente a seconda di che tipo di pezzo venga lavorato.

**⚠AVVERTIMENTO:** Accertarsi di identificare misure di sicurezza per la protezione dell'operatore che siano basate su una stima dell'esposizione nelle condizioni effettive di utilizzo (tenendo conto di tutte le parti del ciclo operativo, ad esempio del numero di spegnimenti dell'utensile e di quando giri a vuoto, oltre al tempo di attivazione).

## Dichiarazione di conformità CE

*Solo per i paesi europei*

La dichiarazione di conformità CE è inclusa nell'Allegato A al presente manuale di istruzioni.

## AVVERTENZE DI SICUREZZA

### Avvertenze generali relative alla sicurezza dell'utensile elettrico

**⚠AVVERTIMENTO:** Leggere tutte le avvertenze di sicurezza, le istruzioni, le illustrazioni e i dati tecnici forniti con il presente utensile elettrico. La mancata osservanza di tutte le istruzioni elencate di seguito potrebbe risultare in scosse elettriche, incendi e/o gravi lesioni personali.

### Conservare tutte le avvertenze e le istruzioni come riferimento futuro.

Il termine "utensile elettrico" nelle avvertenze si riferisce sia all'utensile elettrico (cablato) nel funzionamento alimentato da rete elettrica che all'utensile elettrico (a batteria) nel funzionamento alimentato a batteria.

### Avvertenze di sicurezza relative al demolitore elettrico

- 1. Indossare protezioni per le orecchie.**  
L'esposizione al rumore può causare la perdita dell'udito.
- 2. Utilizzare la maniglia o le maniglie ausiliarie, se in dotazione con l'utensile.** La perdita di controllo può causare lesioni personali.
- 3. Tenere l'utensile elettrico per le sue superfici di impugnatura isolate quando si intende eseguire un'operazione in cui l'accessorio di taglio potrebbe entrare in contatto con fili elettrici nascosti o con il proprio cavo di alimentazione.** Un accessorio di taglio che entri in contatto con un filo elettrico sotto tensione potrebbe mettere sotto tensione le parti metalliche esposte dell'utensile elettrico e dare una scossa elettrica all'operatore.

- 4. Indossare un casco (elmetto di protezione), occhiali di sicurezza e/o una visiera.** I normali occhiali da vista o da sole **NON** sono occhiali di sicurezza. Inoltre, si consiglia caldamente di indossare una mascherina antipolvere e guanti dall'imbottitura spessa.
- 5. Accertarsi che la punta sia fissata saldamente in sede prima dell'utilizzo.**
- 6. Nell'utilizzo normale, l'utensile è progettato per produrre vibrazioni.** Le viti potrebbero allentarsi facilmente, causando un guasto o un incidente. Controllare con cura che le viti siano serrate prima dell'uso.
- 7. In condizioni di bassa temperatura o quando l'utensile non è stato utilizzato per un periodo di tempo prolungato, lasciar riscaldare l'utensile per un po' di tempo facendolo funzionare a vuoto.** Questa operazione ammorbidisce il lubrificante. Senza un appropriato riscaldamento, l'operazione di percussione risulta difficile.
- 8. Accertarsi sempre di appoggiare i piedi saldamente.** Quando si intende utilizzare l'utensile in ubicazioni elevate, accertarsi sempre che non sia presente alcuna persona sotto.
- 9. Tenere l'utensile saldamente con entrambe le mani.**
- 10. Tenere le mani lontane dalle parti mobili.**
- 11. Non lasciare l'utensile mentre sta funzionando.** Far funzionare l'utensile solo mentre lo si tiene in mano.
- 12. Non puntare l'utensile verso alcuna persona nelle vicinanze durante l'uso.** La punta potrebbe volare via e causare gravi lesioni personali.
- 13. Non toccare la punta, le parti vicine alla punta o il pezzo in lavorazione subito dopo l'uso; potrebbero essere estremamente caldi e causare ustioni.**
- 14. Alcuni materiali contengono sostanze chimiche che potrebbero essere tossiche.** Fare attenzione a evitare l'inalazione della polvere e il contatto con la pelle. Attenersi ai dati relativi alla sicurezza del fornitore del materiale.
- 15. Non toccare la spina dell'alimentazione elettrica con le mani bagnate.**
- 16. Prima dell'uso, accertarsi che non siano presenti oggetti interrati quali canaline elettriche, tubi dell'acqua o tubi del gas nell'area di lavoro.** In caso contrario, la punta potrebbe toccarli, causando scosse elettriche, dispersioni elettriche o fughe di gas.
- 17. Non far funzionare l'utensile a vuoto inutilmente.**

## CONSERVARE LE PRESENTI ISTRUZIONI.

**⚠AVVERTIMENTO:** **NON** lasciare che la comodità o la familiarità d'uso con il prodotto (acquisita con l'uso ripetuto) sostituiscano la stretta osservanza delle norme di sicurezza. **L'USO IMPROPRIO** o la mancata osservanza delle norme di sicurezza riportate nel presente manuale di istruzioni potrebbero causare lesioni personali gravi.



## DESCRIZIONE DELLE FUNZIONI

**⚠ATTENZIONE:** Accertarsi sempre che l'utensile sia spento e scollegato dall'alimentazione prima di regolare o controllare le sue funzioni.

### Funzionamento dell'interruttore

**⚠ATTENZIONE:** Prima di collegare l'utensile all'alimentazione elettrica, accertarsi sempre che la leva dell'interruttore funzioni correttamente e che torni sulla posizione "OFF".

**⚠ATTENZIONE:** L'interruttore può essere bloccato sulla posizione "ON" per la comodità dell'operatore durante l'uso prolungato. Fare attenzione quando si blocca l'utensile sulla posizione "ON", e mantenere una salda presa sull'utensile.

Per avviare l'utensile, premere la leva dell'interruttore "ON (I)" sul lato sinistro dell'utensile. Per arrestare l'utensile, premere la leva dell'interruttore "OFF (O)" sul lato destro dell'utensile.

► **Fig.1:** 1. Leva interruttore

### Indicatore luminoso

L'indicatore luminoso di accensione si illumina in verde quando l'utensile viene collegato alla rete elettrica. Qualora l'indicatore luminoso non si illumina, il cavo di alimentazione o il dispositivo di controllo potrebbero essere guasti. Qualora l'indicatore luminoso si illumina ma l'utensile non si avvia anche se viene acceso, le spazzole in carbonio potrebbero essere usurate, oppure il dispositivo di controllo, il motore o l'interruttore potrebbero essere guasti. L'indicatore luminoso di manutenzione sfarfalla in rosso quando le spazzole in carbonio sono quasi usurate, per indicare che l'utensile necessita di manutenzione. Dopo circa 8 ore di utilizzo, il motore si spegne automaticamente.

► **Fig.2:** 1. Indicatore luminoso di accensione (verde)  
2. Indicatore luminoso di manutenzione (rosso)

### Funzione elettronica

L'utensile è dotato di funzioni elettroniche, per un facile utilizzo.

- Funzione di rotazione morbida a vuoto (Esclusivamente per i modelli HM1511 e HM1512) I colpi al minuto a vuoto si riducono rispetto a quelli in presenza di carico, al fine di ridurre le vibrazioni in condizioni di funzionamento a vuoto, ma questo non denota un problema. Una volta iniziato il funzionamento con una punta contro il calcestruzzo, il numero di colpi al minuto aumenta. Quando la temperatura è bassa, l'utensile potrebbe non disporre di questa funzione, anche con il motore in rotazione.
- Avvio morbido La funzione di avvio morbido riduce al minimo l'impatto all'avvio, e fa avviare delicatamente la macchina.

## MONTAGGIO

**⚠ATTENZIONE:** Accertarsi sempre che l'utensile sia spento e scollegato dall'alimentazione elettrica, prima di effettuare qualsiasi intervento su di esso.

### Maniglia laterale (maniglia ausiliaria)

**⚠ATTENZIONE:** Utilizzare sempre la maniglia laterale per garantire il funzionamento in sicurezza.

**⚠ATTENZIONE:** Dopo aver installato o regolato la maniglia laterale, accertarsi che quest'ultima sia fissata saldamente.

È possibile ruotare la maniglia laterale di 360° in verticale e fissarla in qualsiasi posizione desiderata. Allentare il dado di serraggio per girare la maniglia laterale su una posizione desiderata, quindi serrare saldamente il dado di serraggio.

► **Fig.3:** 1. Maniglia laterale 2. Dado di serraggio

### Installazione o rimozione della punta

#### Grasso

Pulire l'estremità con il gambo della punta e applicare il grasso prima di installare la punta. Ricoprire anticipatamente l'estremità con il gambo della punta con una piccola quantità di grasso (circa 0,5 - 1 g). Questa lubrificazione del mandrino assicura un azionamento fluido e ne prolunga la vita utile.

► **Fig.4:** 1. Estremità con il gambo 2. Grasso

#### Installazione della punta

**⚠ATTENZIONE:** Assicurarsi sempre che la punta sia fissata saldamente, tentando di estrarre la punta dal portautensile dopo aver completato la procedura indicata sopra.

#### Esclusivamente per i modelli HM1511 e HM1501

Con la tacca sul gambo della punta rivolta verso il dispositivo di fissaggio dell'utensile, inserire la punta fino in fondo nel portautensile. Quindi, estrarre e ruotare di 180° il dispositivo di fissaggio dell'utensile per fissare la punta.

► **Fig.5:** 1. Punta 2. Dispositivo di fissaggio dell'utensile 3. Portautensile

#### Esclusivamente per i modelli HM1512 e HM1502

Questo utensile accetta sia le punte con collare che senza collare sul gambo.

► **Fig.6:** 1. Punta con collare 2. Punta senza collare

Per installare la punta, attenersi alla procedura (1) o (2) descritta di seguito.

**AVVISO:** Non è possibile fissare punte senza collare mediante la procedura (1).



- (1) **Per le punte con collare**  
Far girare sull'asse il dispositivo di fissaggio dell'utensile, come indicato nella figura. Inserire la punta fino in fondo nel portautensile.

#### Quando si inserisce la punta

► **Fig.7:** 1. Punta 2. Dispositivo di fissaggio dell'utensile 3. Portautensile

Per fissare la punta, riportare il dispositivo di fissaggio dell'utensile in posizione, come indicato nella figura.

#### Quando la punta è fissata

► **Fig.8:** 1. Punta 2. Dispositivo di fissaggio dell'utensile

- (2) **Per punte senza collare**  
Far girare sull'asse il dispositivo di fissaggio dell'utensile, come indicato nella figura. Con la tacca della punta rivolta verso il pozzetto del dispositivo di fissaggio dell'utensile, inserire la punta fino in fondo nel portautensile.

#### Quando si inserisce la punta

► **Fig.9:** 1. Punta 2. Dispositivo di fissaggio dell'utensile 3. Portautensile

Per fissare la punta, far ruotare sull'asse il dispositivo di fissaggio dell'utensile, come indicato nella figura.

#### Quando la punta è fissata

► **Fig.10:** 1. Punta 2. Dispositivo di fissaggio dell'utensile

## Rimozione della punta

Per rimuovere la punta, seguire la procedura di installazione al contrario.

## Accessorio per estrazione polveri

### Accessorio opzionale

L'accessorio per estrazione polveri è destinato alla riduzione delle polveri e delle particelle soffiare via durante la scappellatura di materiali ceramici, ad esempio il calcestruzzo.

1. Installare il supporto per tubo flessibile (A).

Allentare il dado di serraggio, quindi rimuovere il bullone esagonale. Installare il supporto per tubo flessibile (A) tra il bullone esagonale e il dado di serraggio, serrando saldamente quest'ultimo.

► **Fig.11:** 1. Bullone esagonale 2. Supporto per tubo flessibile (A) 3. Dado di serraggio

2. Montare il supporto per tubo flessibile (C) sulla protezione del cavo.

► **Fig.12:** 1. Protezione del cavo 2. Supporto per tubo flessibile (C)

3. Montare la protezione antipolvere e il tubo flessibile sull'utensile, quindi fissare il tubo flessibile agli appositi supporti.

► **Fig.13:** 1. Protezione antipolvere 2. Tubo flessibile 3. Supporto per tubo flessibile (A) 4. Supporto per tubo flessibile (C)

4. Collegare il tubo flessibile al tubo flessibile dell'aspirapolvere mediante il giunto per tubo flessibile.

**NOTA:** Qualora il tubo flessibile non sia in dotazione, montare la protezione antipolvere sul giunto dell'aspiratore o montarla sul tubo flessibile  $\varnothing 28$  Makita.

5. Regolare la distanza tra la protezione antipolvere e la punta dello scalpello o dello scalpello per cemento.

Nel caso dello scalpello per cemento autoaffilante, regolare la protezione antipolvere in modo da non coprire le scanalature dello scalpello per cemento autoaffilante.

Per punte diverse dallo scalpello per cemento autoaffilante, la distanza consigliata è compresa tra 30 mm e 100 mm.

► **Fig.14:** 1. Scanalatura 2. Da 30 mm a 100 mm

## FUNZIONAMENTO

**ATTENZIONE:** Utilizzare sempre l'impugnatura laterale (manico ausiliario) e mantenere saldamente l'utensile utilizzando sia l'impugnatura laterale che il manico con l'interruttore durante l'uso.

**ATTENZIONE:** Accertarsi sempre che il pezzo in lavorazione sia fissato, prima dell'operazione. Il mancato fissaggio appropriato del pezzo in lavorazione potrebbe causarne lo spostamento, risultando in lesioni personali.

**ATTENZIONE:** Non tirare forzatamente l'utensile, anche qualora la punta resti incastrata. La perdita di controllo potrebbe causare lesioni personali.

**ATTENZIONE:** Non lasciare l'utensile conficcato nel pezzo in lavorazione. In caso contrario, l'utensile si potrebbe avviare accidentalmente e causare lesioni personali.

## Scappellatura/disincrostazione/demolizione

Mantenere l'utensile saldamente con entrambe le mani. Accendere l'utensile e applicare una leggera pressione su quest'ultimo, in modo che non rimbalzi in ogni direzione incontrollato. Una forte pressione sull'utensile non ne incrementa l'efficienza.

► **Fig.15**

## MANUTENZIONE

**ATTENZIONE:** Accertarsi sempre che l'utensile sia spento e scollegato dall'alimentazione elettrica, prima di tentare di eseguire interventi di ispezione o manutenzione.

**AVVISO:** Non utilizzare mai benzina, benzene, solventi, alcol o altre sostanze simili. In caso contrario, si potrebbero causare scolorimenti, deformazioni o crepe.

Per preservare la SICUREZZA e l'AFFIDABILITÀ del prodotto, le riparazioni e qualsiasi altro intervento di manutenzione e di regolazione devono essere eseguiti da un centro di assistenza autorizzato Makita, utilizzando sempre ricambi Makita.

## Lubrificazione

**⚠ATTENZIONE:** Questa manutenzione va effettuata esclusivamente da centri di assistenza autorizzati Makita.

Questo utensile non richiede alcuna lubrificazione oraria o quotidiana, poiché è dotato di un sistema di lubrificazione riempito di grasso. Va lubrificato a intervalli regolari. Per questa manutenzione relativa alla lubrificazione, inviare l'utensile nella sua interezza a un centro di assistenza autorizzato Makita.

## ACCESSORI OPZIONALI

**⚠ATTENZIONE:** Questi accessori o componenti aggiuntivi sono consigliati per l'uso con l'utensile Makita specificato nel presente manuale. L'impiego di altri accessori o componenti aggiuntivi può costituire un rischio di lesioni alle persone. Utilizzare gli accessori o i componenti aggiuntivi solo per il loro scopo prefissato.

Per ottenere ulteriori dettagli relativamente a questi accessori, rivolgersi a un centro di assistenza Makita.

- Scalpello per cemento
- Tagliolo a freddo
- Scalpello largo
- Mecchia per argilla
- Pestello
- Grasso per punte
- Accessorio per estrazione polveri
- Occhiali di sicurezza
- Carrello di trasporto

**NOTA:** Alcuni articoli nell'elenco potrebbero essere inclusi nell'imballaggio dell'utensile come accessori standard. Tali articoli potrebbero variare da nazione a nazione.

## TECHNISCHE GEGEVENS

Model:	HM1511	HM1501	HM1512	HM1502
Slagen per minuut	1.300 min <sup>-1</sup>			
Totale lengte	781 mm		809 mm	
Nettogewicht	19,2 kg	18,4 kg	20,4 kg	19,7 kg
Veiligheidsklasse	□/II			
Functie voor zacht onbelast draaien	✓	-	✓	-

- In verband met ononderbroken research en ontwikkeling behouden wij ons het recht voor bovenstaande technische gegevens te wijzigen zonder voorafgaande kennisgeving.
- De technische gegevens kunnen van land tot land verschillen.
- Het gewicht kan verschillen afhankelijk van de hulpstukken. De lichtste en zwaarste combinatie, volgens EPTA-procedure 01/2014, worden vermeld in de tabel.

### Bedoeld gebruik

Het gereedschap is bedoeld voor beitelwerkzaamheden in beton, baksteen, steen en asfalt, naast boren en verdichten met behulp van geschikte accessoires.

### Voeding

Het gereedschap mag alleen worden aangesloten op een voeding van dezelfde spanning als aangegeven op het typeplaatje, en kan alleen worden gebruikt op enkelfase-wisselstroom. Het gereedschap is dubbel-geïsoleerd en kan derhalve ook op een niet-geaard stopcontact worden aangesloten.

### Geluidsniveau

De typische, A-gewogen geluidsniveaus zijn gemeten volgens EN60745-2-6:

#### Model HM1511

Geluidsdrukniveau ( $L_{pA}$ ): 85 dB (A)  
 Geluidsvermogeniveau ( $L_{WA}$ ): 105 dB (A)  
 Onzekerheid (K): 1,57 dB (A)

#### Model HM1501

Geluidsdrukniveau ( $L_{pA}$ ): 84 dB (A)  
 Geluidsvermogeniveau ( $L_{WA}$ ): 104 dB (A)  
 Onzekerheid (K): 2,02 dB (A)

#### Model HM1512

Geluidsdrukniveau ( $L_{pA}$ ): 84 dB (A)  
 Geluidsvermogeniveau ( $L_{WA}$ ): 104 dB (A)  
 Onzekerheid (K): 1,76 dB (A)

#### Model HM1502

Geluidsdrukniveau ( $L_{pA}$ ): 85 dB (A)  
 Geluidsvermogeniveau ( $L_{WA}$ ): 105 dB (A)  
 Onzekerheid (K): 1,79 dB (A)

**OPMERKING:** De opgegeven geluidsemissiewaarde(n) is/zijn gemeten volgens een standaardtestmethode en kan/kunnen worden gebruikt om dit gereedschap te vergelijken met andere gereedschappen.

**OPMERKING:** De opgegeven geluidsemissiewaarde(n) kan/kunnen ook worden gebruikt voor een beoordeling vooraf van de blootstelling.

**⚠WAARSCHUWING:** Draag gehoorbescherming.

**⚠WAARSCHUWING:** De geluidsemissie tijdens het gebruik van het elektrisch gereedschap in de praktijk kan verschillen van de opgegeven waarde(n) afhankelijk van de manier waarop het gereedschap wordt gebruikt, met name van het soort werkstuk waarmee wordt gewerkt.

**⚠WAARSCHUWING:** Zorg ervoor dat veiligheidsmaatregelen worden getroffen ter bescherming van de gebruiker die zijn gebaseerd op een schatting van de blootstelling onder praktijkomstandigheden (rekening houdend met alle fasen van de bedrijfscyclus, zoals de tijdsduur gedurende welke het gereedschap is uitgeschakeld en stationair draait, naast de ingeschakelde tijdsduur).

### Trilling

De totale trillingswaarde (triaxiale vectorsom) zoals vastgesteld volgens EN60745-2-6:

#### Model HM1511

Gebruikstoepassing: beitelen  
 Trillingsemissie ( $a_{h, \text{Chaq}}$ ): 6,5 m/s<sup>2</sup>  
 Onzekerheid (K): 1,5 m/s<sup>2</sup>

#### Model HM1501

Gebruikstoepassing: beitelen  
 Trillingsemissie ( $a_{h, \text{ID}}$ ): 14,5 m/s<sup>2</sup>  
 Onzekerheid (K): 1,5 m/s<sup>2</sup>

#### Model HM1512

Gebruikstoepassing: beitelen  
 Trillingsemissie ( $a_{h, \text{ID}}$ ): 6,5 m/s<sup>2</sup>  
 Onzekerheid (K): 1,5 m/s<sup>2</sup>

#### Model HM1502

Gebruikstoepassing: beitelen  
 Trillingsemissie ( $a_{h, \text{ID}}$ ): 14,5 m/s<sup>2</sup>  
 Onzekerheid (K): 1,5 m/s<sup>2</sup>

**OPMERKING:** De totale trillingswaarde(n) is/zijn gemeten volgens een standaardtestmethode en kan/kunnen worden gebruikt om dit gereedschap te vergelijken met andere gereedschappen.

**OPMERKING:** De opgegeven totale trillingswaarde(n) kan/kunnen ook worden gebruikt voor een beoordeling vooraf van de blootstelling.

**⚠️WAARSCHUWING:** De trillingsemissie tijdens het gebruik van het elektrisch gereedschap in de praktijk kan verschillen van de opgegeven waarde(n) afhankelijk van de manier waarop het gereedschap wordt gebruikt, met name van het soort werkstuk waarmee wordt gewerkt.

**⚠️WAARSCHUWING:** Zorg ervoor dat veiligheidsmaatregelen worden getroffen ter bescherming van de gebruiker die zijn gebaseerd op een schatting van de blootstelling onder praktijkomstandigheden (rekening houdend met alle fasen van de bedrijfscyclus, zoals de tijdsduur gedurende welke het gereedschap is uitgeschakeld en stationair draait, naast de ingeschakelde tijdsduur).

## EG-verklaring van conformiteit

### Alleen voor Europese landen

De EG-verklaring van conformiteit is bijgevoegd als Bijlage A bij deze gebruiksaanwijzing.

## VEILIGHEIDSWAARSCHUWINGEN

### Algemene veiligheidswaarschuwingen voor elektrisch gereedschap

**⚠️WAARSCHUWING:** Lees alle veiligheidswaarschuwingen, aanwijzingen, afbeeldingen en technische gegevens behorend bij dit elektrische gereedschap aandachtig door. Als u niet alle onderstaande aanwijzingen naleeft, kan dat resulteren in brand, elektrische schokken en/of ernstig letsel.

### Bewaar alle waarschuwingen en instructies om in de toekomst te kunnen raadplegen.

De term "elektrisch gereedschap" in de veiligheidsvoorschriften duidt op gereedschappen die op stroom van het lichtnet werken (met snoer) of gereedschappen met een accu (snoerloos).

### Veiligheidswaarschuwingen voor een elektrische breekhamer

1. **Draag gehoorbescherming.** Blootstelling aan het lawaai kan uw gehoor aantasten.
2. **Gebruik hulphandgreep (hulphandgrepen), indien bij het gereedschap geleverd.** Verlies van de macht over het gereedschap kan letsel veroorzaken.
3. **Houd elektrisch gereedschap alleen vast aan de geïsoleerde handgrepen wanneer de kans bestaat dat het accessoire in aanraking komt met verborgen bedrading of zijn eigen snoer.** Wanneer accessoires in aanraking komen met onder spanning staande draden, zullen de niet-geïsoleerde metalen delen van het gereedschap onder spanning komen te staan zodat de gebruiker een elektrische schok kan krijgen.

4. **Draag een helm (veiligheidshelm), veiligheidsbril en/of spatscherm.** Een gewone bril of een zonnebril is GEEN veiligheidsbril. Het wordt tevens sterk aanbevolen een stofmasker en dik gevoerde handschoenen te dragen.
5. **Controleer of het bit stevig op zijn plaats zit voordat u het gereedschap gebruikt.**
6. **Bij normale bediening behoort het gereedschap te trillen.** De schroeven kunnen gemakkelijk losraken, waardoor een defect of ongeval kan ontstaan. Controleer of de schroeven goed zijn aangedraaid, alvorens het gereedschap te gebruiken.
7. **In koude weersomstandigheden of wanneer het gereedschap gedurende een lange tijd niet is gebruikt, laat u het gereedschap eerst opwarmen door het onbelast te laten werken.** Hierdoor zal de smering worden verbeterd. Zonder degelijk opwarmen, zal de hamerwerking moeilijk zijn.
8. **Zorg ook altijd dat u stevig op een solide bodem staat.** Let bij het werken op hoge plaatsen op dat er zich niemand recht onder u bevindt.
9. **Houd het gereedschap stevig met beide handen vast.**
10. **Houd uw handen uit de buurt van bewegende delen.**
11. **Laat het gereedschap niet draaiend achter.** Schakel het gereedschap alleen in wanneer u het stevig vasthoudt.
12. **Richt het gereedschap niet op iemand in de buurt terwijl het is ingeschakeld.** Het bit zou eruit kunnen vliegen en iemand ernstig verwonden.
13. **Raak het bit, onderdelen in de buurt van het bit en het werkstuk niet onmiddellijk na gebruik aan.** Zij kunnen bijzonder heet zijn en brandwonden op uw huid veroorzaken.
14. **Bepaalde materialen kunnen giftige chemicaliën bevatten.** Vermijd contact met uw huid en zorg dat u geen stof inademt. Volg de veiligheidsvoorschriften van de fabrikant van het materiaal.
15. **Raak de stekker niet met natte handen aan.**
16. **Verzek er vóór aanvang van de werkzaamheden van dat er geen voorwerpen, zoals elektriciteits-, gas- en waterleidingen, begraven liggen in het werkgebied.** Anders kan het bit deze raken, waardoor een elektrische schok, een lekstroom of een gaslek kan ontstaan.
17. **Laat het gereedschap niet onnodig onbelast draaien.**

## BEWAAR DEZE VOORSCHRIFTEN.

**⚠️WAARSCHUWING:** Laat u NIET misleiden door een vals gevoel van comfort en bekendheid met het gereedschap (na veelvuldig gebruik) en neem alle veiligheidsvoorschriften van het betreffende gereedschap altijd strikt in acht. **VERKEERD GEBRUIK** of het niet naleven van de veiligheidsvoorschriften in deze gebruiksaanwijzing kan leiden tot ernstig letsel.

## BESCHRIJVING VAN DE FUNCTIES

**⚠ LET OP:** Controleer altijd of het gereedschap is uitgeschakeld en de stekker ervan uit het stopcontact is verwijderd alvorens de functies op het gereedschap te controleren of af te stellen.

### De trekkerschakelaar gebruiken

**⚠ LET OP:** Controleer altijd, voordat u de stekker van het gereedschap in het stopcontact steekt, of de schakelhendel op de juiste manier schakelt en weer terugkeert naar de uit-stand (OFF).

**⚠ LET OP:** De schakelaar kan worden vergrendeld in de aan-stand ten behoeve van het gebruikersgemak bij langdurig gebruik. Wees extra voorzichtig wanneer u de schakelaar in de aan-stand vergrendelt en houd het gereedschap altijd stevig vast.

Om het gereedschap te starten, duwt u de schakelhendel naar de aan-stand (ON I) aan de linkerkant van het gereedschap. Om het gereedschap te stoppen, duwt u de schakelhendel naar de uit-stand (OFF O) aan de rechterkant van het gereedschap.

► Fig.1: 1. Aan-uitschakelaar

### Indicatorlampje

Het voedingslampje brandt groen wanneer het gereedschap is aangesloten op een stopcontact.

Als het indicatorlampje niet brandt, kan het netsnoer of de regelaar een storing veroorzaken.

Als het indicatorlampje brandt, maar het gereedschap niet start ondanks dat het gereedschap ingeschakeld is, kunnen de koolborstels versleten zijn, of kan de regelaar, de motor of de schakelaar een storing veroorzaken.

Het onderhoudslampje knippert rood wanneer de koolborstels bijna versleten zijn om aan te geven dat het gereedschap service nodig heeft.

Na ongeveer 8 uur gebruik wordt de motor automatisch uitgeschakeld.

► Fig.2: 1. Voedingslampje (groen)  
2. Onderhoudslampje (rood)

### Elektronische functies

Het gereedschap is uitgerust met elektronische functies voor een eenvoudige bediening.

- Functie voor zacht onbelast draaien (alleen voor de modellen HM1511 en HM1512)  
Het aantal slagen per minuut bij nullast wordt lager dan het aantal slagen met belasting om de trillingen bij nullast te verminderen, maar dit duidt niet op een probleem.  
Zodra het bit het beton raakt, neemt het aantal slagen per minuut toe.  
Bij lage temperatuur is het mogelijk dat deze functie van het gereedschap niet werkt ondanks dat de motor draait.
- Zachte start  
De functie zachte-start minimaliseert de startschok en laat het gereedschap geleidelijk starten.

## MONTAGE

**⚠ LET OP:** Zorg altijd dat het gereedschap is uitgeschakeld en dat zijn stekker uit het stopcontact is verwijderd alvorens enig werk aan het gereedschap uit te voeren.

### Zijhandvat (hulphandgreep)

**⚠ LET OP:** Gebruik altijd het zijhandvat om veilig te kunnen werken.

**⚠ LET OP:** Na het aanbrengen of afstellen van het zijhandvat, controleert u of het zijhandvat stevig is vastgezet.

Het zijhandvat kan over 360° om de verticale as worden gedraaid zodat deze in elke gewenste stand kan worden vastgezet.

Draai de klemmoer los om het zijhandvat naar de gewenste stand te draaien en draai daarna de klemmoer stevig vast.

► Fig.3: 1. Zijhandvat 2. Klemmoer

### Het bit aanbrengen en verwijderen

#### Smeren

Reinig het uiteinde van de schacht van het bit en smeer het met vet voordat u het bit aanbrengt.

Smeer het uiteinde van de schacht van het bit vooraf in met een beetje vet (ong. 0,5 tot 1 gram). Met een ingevette boorkop zal het gereedschap beter werken en langer meegaan.

► Fig.4: 1. Uiteinde van de schacht 2. Smeren

#### Het bit aanbrengen

**⚠ LET OP:** Verzeker u er altijd van dat het bit stevig vastzit door te proberen het bit uit de bithouder te trekken nadat de bovenstaande procedure is voltooid.

#### Alleen voor de modellen HM1511 en HM1501

Houdt de inkeping op de schacht van het bit aan de kant van de bitklem en steek het bit zo ver mogelijk in de bithouder. Trek daarna de bitklem naar buiten en draai hem 180° om het bit te vergrendelen.

► Fig.5: 1. Bit 2. Bitklem 3. Bithouder

#### Alleen voor de modellen HM1512 en HM1502

In dit gereedschap kunnen bits met en zonder kraag op de schacht worden gebruikt.

► Fig.6: 1. Bit met kraag 2. Bit zonder kraag

Om het bit aan te brengen, volgt u de hieronder beschreven procedure (1) of (2).

**KENNISGEVING:** Een bit zonder kraag kan niet wordt vastgezet met procedure (1).

## (1) Voor bits met een kraag

Kantel de bitklem zoals aangegeven in de afbeelding. Steek het bit zo ver mogelijk in de bithouder.

### Het bit erin steken

► Fig.7: 1. Bit 2. Bitklem 3. Bithouder

Om het bit te vergrendelen, zet u de bitklem terug zoals aangegeven in de afbeelding.

### Het bit is vergrendeld

► Fig.8: 1. Bit 2. Bitklem

## (2) Voor bits zonder een kraag

Kantel de bitklem zoals aangegeven in de afbeelding. Houd de kant van het bit met de inkeping in de richting van de as van de bitklem, en steek het bit zo ver mogelijk in de bithouder.

### Het bit erin steken

► Fig.9: 1. Bit 2. Bitklem 3. Bithouder

Om het bit te vergrendelen, kantel de bitklem zoals aangegeven in de afbeelding.

### Het bit is vergrendeld

► Fig.10: 1. Bit 2. Bitklem

## Het bit verwijderen

Om het bit te verwijderen, volgt u de procedure voor het aanbrengen in de omgekeerde volgorde.

## Hulpstuk voor stofafzuiging

### Optioneel accessoire

Het hulpstuk voor stofafzuiging is bedoeld om weg geblazen stof en deeltjes te verminderen bij het beitelen in keramische materialen zoals beton.

1. Breng de slanghouder (A) aan.

Draai de klemmoer los en verwijder daarna de zeskantbout. Breng de slanghouder (A) aan tussen de zeskantbout en de klemmoer door de klemmoer stevig vast te draaien.

► Fig.11: 1. Zeskantbout 2. Slanghouder (A)  
3. Klemmoer

2. Bevestig de slanghouder (C) aan de snoerbescherming.

► Fig.12: 1. Snoerbescherming 2. Slanghouder (C)

3. Bevestig de stofafdichting en de slang aan het gereedschap en bevestig de slang in de slanghouders.

► Fig.13: 1. Stofafdichting 2. Slang 3. Slanghouder (A) 4. Slanghouder (C)

4. Sluit de slang aan op de slang van een stofzuiger met behulp van een slangkoppelstuk.

**OPMERKING:** Als de slang niet wordt bijgeleverd, bevestigt u de stofafdichting aan het koppelstuk van de stofzuiger, of bevestigt u hem aan de slang met  $\varnothing 28$  van Makita.

5. Stel de afstand in tussen de stofafdichting en de punt van de beitel of van het bit met een ronde punt.

In geval van het zelfslippende bit met een ronde punt, stelt u de stofafdichting zo af dat de groeven van het bit met een ronde punt niet worden afgedekt.

Voor andere bits dan het zelfslippende bit met een ronde punt is de aanbevolen afstand 30 mm tot 100 mm.

► Fig.14: 1. Sleuf 2. 30 mm tot 100 mm

## BEDIENING

**⚠ALLET OP:** Gebruik altijd de zijhandgreep (hulp-handgreep) en houd het gereedschap tijdens het gebruik stevig vast bij zowel de zijhandgreep als de hoofdhandgreep.

**⚠ALLET OP:** Zorg er altijd vóór gebruik voor dat het werkstuk stevig is vastgezet. Als het werkstuk niet stevig is vastgezet, kan het werkstuk gaan bewegen waardoor letsel kan ontstaan.

**⚠ALLET OP:** Trek niet met grote kracht aan het gereedschap, ook niet wanneer de bit klem zit. Als u de controle verliest, kan letsel worden veroorzaakt.

**⚠ALLET OP:** Laat het gereedschap niet los terwijl dit in het werkstuk is gestoken. Anders kan het gereedschap onbedoeld starten en letsel veroorzaken.

## Beitelen, bikken en slopen

Houd het gereedschap stevig met beide handen vast. Schakel het gereedschap in en oefen lichte kracht op het gereedschap uit zodat het gereedschap niet oncontroleerbaar in het rond springt. Het gereedschap werkt niet efficiënter als u grote druk op het gereedschap uitoefent.

► Fig.15

## ONDERHOUD

**⚠ALLET OP:** Zorg altijd dat het gereedschap is uitgeschakeld en de stekker uit het stopcontact is getrokken alvorens te beginnen met onderhoud of inspectie.

**KENNISGEVING:** Gebruik nooit benzine, wasbenzine, thinner, alcohol en dergelijke. Hierdoor kunnen verkleuring, vervormingen en barsten worden veroorzaakt.

Om de VEILIGHEID en BETROUWBAARHEID van het gereedschap te handhaven, dienen alle reparaties, onderhoud of afstellingen te worden uitgevoerd bij een erkend Makita-servicecentrum of de Makita-fabriek, en altijd met gebruik van Makita-vervangingsonderdelen.

## Smeren

**⚠ALLET OP:** Dit onderhoud mag uitsluitend worden uitgevoerd door een erkend Makita-servicecentrum.

Dit gereedschap heeft geen smering na een bepaald aantal bedrijfsuren of dagen nodig omdat het is uitgerust met een gesloten smeersysteem gevuld met vet. Dit vet moet regelmatig worden ververs. Stuur het complete gereedschap naar een erkend Makita-servicecentrum of het fabrieksservicecentrum voor deze smeerservice.

# OPTIONELE ACCESSOIRES

**⚠ LET OP:** Deze accessoires of hulpstukken worden aanbevolen voor gebruik met het Makita gereedschap dat in deze gebruiksaanwijzing is beschreven. Bij gebruik van andere accessoires of hulpstukken bestaat het gevaar van persoonlijke letsel. Gebruik de accessoires of hulpstukken uitsluitend voor hun bestemde doel.

Wenst u meer bijzonderheden over deze accessoires, neem dan contact op met het plaatselijke Makita-servicecentrum.

- Puntbeitel
- Koudbeitel
- Bikbeitel
- Kleispade
- Ram
- Boorvet
- Hulpstuk voor stofafzuiging
- Veiligheidsbril
- Hamerhouder

**OPMERKING:** Sommige items op de lijst kunnen zijn inbegrepen in de doos van het gereedschap als standaard toebehoren. Deze kunnen van land tot land verschillen.

# ESPECIFICACIONES

Modelo:	HM1511	HM1501	HM1512	HM1502
Percusiones por minuto	1.300 min <sup>-1</sup>			
Longitud total	781 mm		809 mm	
Peso neto	19,2 kg	18,4 kg	20,4 kg	19,7 kg
Clase de seguridad	□/II			
Función de giro suave sin carga	✓	-	✓	-

- Debido a nuestro continuado programa de investigación y desarrollo, las especificaciones aquí dadas están sujetas a cambios sin previo aviso.
- Las especificaciones pueden ser diferentes de país a país.
- El peso puede variar dependiendo del accesorio(s). La combinación menos pesada y la más pesada, de acuerdo con el procedimiento EPTA 01/2014, se muestran en la tabla.

## Uso previsto

La herramienta ha sido prevista para trabajo de cincelado en cemento, ladrillo, piedra y asfalto así como para perforar y compactar con los accesorios apropiados.

## Alimentación

La herramienta deberá ser conectada solamente a una fuente de alimentación de la misma tensión que la indicada en la placa de características, y solamente puede ser utilizada con alimentación de CA monofásica. La herramienta tiene doble aislamiento y puede, por lo tanto, utilizarse también en tomas de corriente sin conductor de tierra.

## Ruido

El nivel de ruido A-ponderado típico determinado de acuerdo con la norma EN60745-2-6:

### Modelo HM1511

Nivel de presión sonora ( $L_{pA}$ ) : 85 dB (A)  
 Nivel de potencia sonora ( $L_{WA}$ ) : 105 dB (A)  
 Error (K) : 1,57 dB (A)

### Modelo HM1501

Nivel de presión sonora ( $L_{pA}$ ) : 84 dB (A)  
 Nivel de potencia sonora ( $L_{WA}$ ) : 104 dB (A)  
 Error (K) : 2,02 dB (A)

### Modelo HM1512

Nivel de presión sonora ( $L_{pA}$ ) : 84 dB (A)  
 Nivel de potencia sonora ( $L_{WA}$ ) : 104 dB (A)  
 Error (K) : 1,76 dB (A)

### Modelo HM1502

Nivel de presión sonora ( $L_{pA}$ ) : 85 dB (A)  
 Nivel de potencia sonora ( $L_{WA}$ ) : 105 dB (A)  
 Error (K) : 1,79 dB (A)

**NOTA:** El valor (o los valores) de emisión de ruido declarado ha sido medido de acuerdo con un método de prueba estándar y se puede utilizar para comparar una herramienta con otra.

**NOTA:** El valor (o valores) de emisión de ruido declarado también se puede utilizar en una valoración preliminar de exposición.

**⚠ADVERTENCIA:** Póngase protectores para oídos.

**⚠ADVERTENCIA:** La emisión de ruido durante la utilización real de la herramienta eléctrica puede variar del valor (o los valores) de emisión declarado dependiendo de las formas en las que la herramienta sea utilizada, especialmente qué tipo de pieza de trabajo se procesa.

**⚠ADVERTENCIA:** Asegúrese de identificar medidas de seguridad para proteger al operario que estén basadas en una estimación de la exposición en las condiciones reales de utilización (teniendo en cuenta todas las partes del ciclo operativo como las veces cuando la herramienta está apagada y cuando está funcionando en vacío además del tiempo de gatillo).

## Vibración

El valor total de la vibración (suma de vectores triaxiales) determinado de acuerdo con la norma EN60745-2-6:

### Modelo HM1511

Modo de trabajo: cincelado  
 Emisión de vibración ( $a_{h, Cheq}$ ): 6,5 m/s<sup>2</sup>  
 Error (K) : 1,5 m/s<sup>2</sup>

### Modelo HM1501

Modo de trabajo: cincelado  
 Emisión de vibración ( $a_{h, ID}$ ): 14,5 m/s<sup>2</sup>  
 Error (K) : 1,5 m/s<sup>2</sup>

### Modelo HM1512

Modo de trabajo: cincelado  
 Emisión de vibración ( $a_{h, ID}$ ): 6,5 m/s<sup>2</sup>  
 Error (K) : 1,5 m/s<sup>2</sup>

### Modelo HM1502

Modo de trabajo: cincelado  
 Emisión de vibración ( $a_{h, ID}$ ): 14,5 m/s<sup>2</sup>  
 Error (K) : 1,5 m/s<sup>2</sup>

**NOTA:** El valor (o los valores) total de emisión de vibración declarado ha sido medido de acuerdo con un método de prueba estándar y se puede utilizar para comparar una herramienta con otra.

**NOTA:** El valor (o los valores) total de emisión de vibración declarado también se puede utilizar en una valoración preliminar de exposición.



**⚠ADVERTENCIA:** La emisión de vibración durante la utilización real de la herramienta eléctrica puede variar del valor (o los valores) de emisión declarado dependiendo de las formas en las que la herramienta sea utilizada, especialmente qué tipo de pieza de trabajo se procesa.

**⚠ADVERTENCIA:** Asegúrese de identificar medidas de seguridad para proteger al operario que estén basadas en una estimación de la exposición en las condiciones reales de utilización (teniendo en cuenta todas las partes del ciclo operativo como las veces cuando la herramienta está apagada y cuando está funcionando en vacío además del tiempo de gatillo).

## Declaración CE de conformidad

### Para países europeos solamente

La declaración CE de conformidad está incluida como Anexo A de esta manual de instrucciones.

## ADVERTENCIAS DE SEGURIDAD

### Advertencias de seguridad para herramientas eléctricas en general

**⚠ADVERTENCIA:** Lea todas las advertencias de seguridad, instrucciones, ilustraciones y especificaciones provistas con esta herramienta eléctrica. Si no sigue todas las instrucciones indicadas abajo podrá resultar en una descarga eléctrica, un incendio y/o heridas graves.

### Guarde todas las advertencias e instrucciones para futuras referencias.

El término "herramienta eléctrica" en las advertencias se refiere a su herramienta eléctrica de funcionamiento con conexión a la red eléctrica (con cable) o herramienta eléctrica de funcionamiento a batería (sin cable).

### Advertencias de seguridad para el demolidor eléctrico

1. **Póngase protectores de oídos.** La exposición al ruido puede ocasionar pérdida auditiva.
2. **Utilice el mango(s) auxiliar, si se suministra con la herramienta.** Una pérdida del control puede ocasionar heridas personales.
3. **Cuando realice una operación en la que la herramienta de corte pueda entrar en contacto con cableado oculto o con su propio cable, sujete la herramienta eléctrica solamente por las superficies de asimiento aisladas.** El contacto del accesorio de corte con un cable con corriente hará que la corriente circule por las partes metálicas expuestas de la herramienta eléctrica y podrá soltar una descarga eléctrica al operario.

4. **Póngase casco protector (casco de seguridad), gafas de seguridad y/o pantalla facial.** Las gafas normales o de sol NO sirven para proteger los ojos. También es muy recomendable ponerse una máscara contra el polvo y guantes espesamente acolchados.
5. **Asegúrese de que la broca está sujeta en su sitio antes de iniciar la operación.**
6. **La herramienta ha sido diseñada de modo que produzca vibración durante la utilización normal.** Los tornillos se pueden aflojar fácilmente, ocasionando una rotura o un accidente. Compruebe con cuidado el apriete de los tornillos antes de iniciar la operación.
7. **En clima frío o cuando la herramienta no haya sido utilizada durante un tiempo largo, deje que la herramienta se caliente durante un rato utilizándola sin carga.** Esto diluirá la lubricación. Sin un calentamiento apropiado, la operación de percusión resultará difícil.
8. **Asegúrese siempre de apoyar los pies firmemente.** Asegúrese de que no haya nadie debajo cuando utilice la herramienta en lugares altos.
9. **Sujete la herramienta firmemente con ambas manos.**
10. **Mantenga las manos alejadas de las partes en movimiento.**
11. **No deje la herramienta en marcha.** Tenga en marcha la herramienta solamente cuando la tenga en la mano.
12. **No apunte la herramienta hacia nadie que esté en el área cuando la esté utilizando.** La broca puede salir despedida y herir a alguien gravemente.
13. **No toque la broca, las partes cerca de la broca o la pieza de trabajo inmediatamente después de la operación;** podrán estar muy calientes y quemarle la piel.
14. **Algunos materiales contienen sustancias químicas que pueden ser tóxicas.** Tenga precaución para evitar la inhalación de polvo y el contacto con la piel. Siga los datos de seguridad del abastecedor del material.
15. **No toque el enchufe con las manos mojadas.**
16. **Antes de la operación, asegúrese de que no hay objetos enterrados como tubos de cables eléctricos, tuberías de agua o tuberías de gas en el área de trabajo.** De lo contrario, el implemento podrá tocarlos, resultando en una descarga eléctrica, fuga eléctrica o fuga de gas.
17. **No utilice la herramienta en vacío innecesariamente.**

## GUARDE ESTAS INSTRUCCIONES.

**⚠ADVERTENCIA:** NO deje que la comodidad o familiaridad con el producto (a base de utilizarlo repetidamente) sustituya la estricta observancia de las normas de seguridad para el producto en cuestión. El MAL USO o el no seguir las normas de seguridad establecidas en este manual de instrucciones podrá ocasionar heridas personales graves.

## DESCRIPCIÓN DEL FUNCIONAMIENTO

**⚠PRECAUCIÓN:** Asegúrese siempre de que la herramienta esté apagada y desenchufada antes de intentar realizar cualquier tipo de ajuste o comprobación en ella.

### Accionamiento del interruptor

**⚠PRECAUCIÓN:** Antes de enchufar la herramienta, compruebe siempre para cerciorarse de que la palanca del interruptor se acciona debidamente y que vuelve a la posición "apagada".

**⚠PRECAUCIÓN:** El interruptor puede ser bloqueado en la posición "encendida" para mayor comodidad del operario durante una utilización prolongada. Tenga precaución cuando bloquee la herramienta en la posición "encendida" y mantenga la herramienta firmemente empuñada.

Para poner en marcha la herramienta, empuje la palanca hasta el interruptor "ON (I)" del lado izquierdo de la herramienta. Para detener la herramienta empuje la palanca del interruptor hasta la posición "OFF (O)" del lado derecho de la herramienta.

► **Fig.1:** 1. Interruptor de palanca

### Lámpara indicadora

La lámpara indicadora de alimentación conectada se ilumina en verde cuando la herramienta está enchufada. Si la lámpara indicadora no se ilumina, es posible que el cable de alimentación o el controlador esté defectuoso. Si la lámpara indicadora se ilumina pero la herramienta no se pone en marcha aunque intente encenderla, puede que las escobillas de carbón estén gastadas, o que el controlador, el motor o el interruptor esté defectuoso. La lámpara indicadora de servicio parpadea en rojo cuando las escobillas de carbón están casi desgastadas para indicar que es necesario hacer el servicio a la herramienta. Después de aproximadamente 8 horas de uso, el motor se detendrá automáticamente.

► **Fig.2:** 1. Luz indicadora de encendido (verde)  
2. Luz indicadora de servicio (roja)

### Función electrónica

La herramienta está equipada con funciones electrónicas para facilitar su funcionamiento.

- Función de giro suave sin carga (Para el modelo HM1511, HM1512 solamente)  
Las percusiones sin carga por minuto son menores que las con carga con objeto de reducir la vibración en sin carga, pero esto no es indicación de problema. Una vez que comienza la operación con el implemento contra el hormigón, las percusiones por minuto aumentan. Cuando la temperatura sea baja, puede que la herramienta no disponga de esta función aun con el motor girando.
- Inicio suave  
La función de inicio suave minimiza el golpe del arranque, y hace que la máquina se ponga en marcha suavemente.

## MONTAJE

**⚠PRECAUCIÓN:** Asegúrese siempre de que la herramienta esté apagada y desenchufada antes de realizar cualquier trabajo en la herramienta.

### Empuñadura lateral (empuñadura auxiliar)

**⚠PRECAUCIÓN:** Utilice siempre el mango lateral para garantizar una operación segura.

**⚠PRECAUCIÓN:** Después de instalar o ajustar el mango lateral, asegúrese de que el mango lateral esté sujetado firmemente.

El mango lateral se puede girar 360° en la vertical y sujetar en cualquier posición deseada.

Afloje la tuerca de sujeción para girar el mango lateral hasta una posición deseada, y después apriete la tuerca de sujeción firmemente.

► **Fig.3:** 1. Mango lateral 2. Tuerca de sujeción

### Instalación o extracción de la punta

#### Grasa

Limpie el extremo de la espiga de la broca y aplique grasa antes de instalar la broca.

Cubra el extremo de la espiga de la broca previamente con una pequeña cantidad de grasa (aprox. 0,5 - 1 g). Esta lubricación del mandril asegurará un accionamiento suave y una vida de servicio más larga.

► **Fig.4:** 1. Extremo de la espiga 2. Grasa

### Instalación del implemento

**⚠PRECAUCIÓN:** Asegúrese siempre de que la barrena esté bien retenida intentado sacarla del portaherramientas después de finalizar el procedimiento anterior.

#### Para el modelo HM1511, HM1501 solamente

Con la parte mellada de la espiga del implemento orientada hacia el retenedor de implemento, inserte el implemento en el soporte de implemento a fondo. Después tire del retenedor de implemento hacia afuera y gírelo 180° para sujetar el implemento.

► **Fig.5:** 1. Punta 2. Retén de la herramienta  
3. Portaherramientas

#### Para el modelo HM1512, HM1502 solamente

Esta herramienta admite barrenas con o sin collar en el vástago.

► **Fig.6:** 1. Barrena con collar 2. Barrena sin collar

Para instalar la barrena, siga el procedimiento (1) o (2) descrito abajo.

**AVISO:** El implemento sin collar no se puede sujetar mediante este procedimiento (1).

- (1) **Para implementos con collar**  
Haga pivotar el retenedor de implemento como se muestra en la figura. Inserte el implemento en el soporte de implemento a fondo.

#### Quando se inserta el implemento

- **Fig.7:** 1. Punta 2. Retén de la herramienta  
3. Portaherramientas

Para sujetar el implemento, retorne el retenedor de implemento como se muestra en la figura.

#### Quando la barrena está retenida

- **Fig.8:** 1. Punta 2. Retén de la herramienta

- (2) **Para implementos sin collar**

Haga pivotar el retenedor de implemento como se muestra en la figura. Con la parte mellada del implemento orientada hacia el eje del retenedor de implemento, inserte el implemento en el soporte de implemento a fondo.

#### Quando se inserta el implemento

- **Fig.9:** 1. Punta 2. Retén de la herramienta  
3. Portaherramientas

Para sujetar el implemento, haga pivotar el retenedor de implemento como se muestra en la figura.

#### Quando la barrena está retenida

- **Fig.10:** 1. Punta 2. Retén de la herramienta

## Para retirar el implemento

Para extraer la barrena, siga el procedimiento de instalación en orden inverso.

## Accesorio extractor de polvo

### Accesorio opcional

El accesorio extractor de polvo ha sido previsto para reducir el polvo y las partículas que salen volando cuando se cincela en material cerámico como cemento.

1. Instale el soporte de manguera (A).

Afloje la tuerca de sujeción, y después retire el perno de cabeza hexagonal. Instale el soporte de manguera (A) entre el perno de cabeza hexagonal y la tuerca de sujeción apretando la tuerca de sujeción firmemente.

- **Fig.11:** 1. Perno de cabeza hexagonal 2. Soporte de manguera (A) 3. Tuerca de sujeción

2. Coloque el soporte de manguera (C) en el protector de cable.

- **Fig.12:** 1. Protector de cable 2. Soporte de manguera (C)

3. Coloque el guardapolvo y la manguera en la herramienta, y después fije la manguera en los sujetadores de manguera.

- **Fig.13:** 1. Guardapolvo 2. Manguera 3. Soporte de manguera (A) 4. Soporte de manguera (C)

4. Conecte la manguera a la manguera del aspirador con el acoplador de manguera.

**NOTA:** Si la manguera no está incluida, coloque el guardapolvo en el acoplador del aspirador o colóquelo en una manguera de  $\varnothing 28$  de Makita.

5. Ajuste la distancia entre el guardapolvo y la punta del cincel o barreno.

Para la barrena autoafilable, ajuste el guardapolvo de forma que no cubra las acanaladuras del barreno autoafilable.

Para implementos distintos del barreno autoafilable, la distancia recomendada es de 30 mm a 100 mm.

- **Fig.14:** 1. Acanaladura 2. 30 mm a 100 mm

## OPERACIÓN

**PRECAUCIÓN:** Utilice siempre la empuñadura lateral (mango auxiliar) y sujete la herramienta firmemente por ambos la empuñadura lateral y el mango del interruptor durante las operaciones.

**PRECAUCIÓN:** Asegúrese siempre de que la pieza de trabajo está sujeta firmemente antes de iniciar la operación. No sujetar debidamente la pieza de trabajo podrá ocasionar que la pieza de trabajo se mueva y resultar en heridas.

**PRECAUCIÓN:** No extraiga la herramienta a la fuerza aunque la broca se quede atascada. La pérdida de control puede ocasionar heridas.

**PRECAUCIÓN:** No deje la herramienta clavada en la pieza de trabajo. De lo contrario, la herramienta podrá ponerse en marcha involuntariamente y ocasionar heridas.

## Desincrustar/decapar/demoler

Sujete la herramienta firmemente con ambas manos. Encienda la herramienta y aplique una ligera presión sobre ella de forma que no rebote descontrolada. Presionando muy fuerte en la herramienta no aumentará la eficacia.

- **Fig.15**

## MANTENIMIENTO

**PRECAUCIÓN:** Asegúrese siempre de que la herramienta está apagada y desenchufada antes de intentar realizar una inspección o mantenimiento.

**AVISO:** No utilice nunca gasolina, bencina, disolvente, alcohol o similares. Podría producir descoloración, deformación o grietas.

Para mantener la SEGURIDAD y FIABILIDAD del producto, las reparaciones, y cualquier otra tarea de mantenimiento o ajuste deberán ser realizadas en centros de servicio o de fábrica autorizados por Makita, empleando siempre repuestos Makita.

## Lubricación

**⚠PRECAUCIÓN:** Este servicio deberá ser realizado en Centros de servicio autorizados por Makita solamente.

Esta herramienta no necesita lubricación horaria ni diaria porque tiene un sistema de lubricación relleno de grasa. Deberá ser relubricada regularmente. Envíe la herramienta completa al Centro de servicio autorizado o fábrica Makita para que le hagan este servicio de lubricación.

## ACCESORIOS OPCIONALES

**⚠PRECAUCIÓN:** Estos accesorios o aditamentos están recomendados para su uso con la herramienta Makita especificada en este manual.

El uso de cualquier otro accesorio o aditamento puede suponer un riesgo de heridas personales. Utilice el accesorio o aditamento solamente con la finalidad indicada para el mismo.

Si necesita cualquier ayuda para más detalles en relación con estos accesorios, pregunte al centro de servicio Makita local.

- Barreno
- Cortafíos
- Cíncel desincrustador
- Pala para arcilla
- Pisón
- Grasa para brocas
- Accesorio extractor de polvo
- Gafas de seguridad
- Portamartillo

**NOTA:** Algunos elementos de la lista podrán estar incluidos en el paquete de la herramienta como accesorios estándar. Pueden variar de un país a otro.

## ESPECIFICAÇÕES

Modelo:	HM1511	HM1501	HM1512	HM1502
Impactos por minuto	1.300 min <sup>-1</sup>			
Comprimento total	781 mm		809 mm	
Peso líquido	19,2 kg	18,4 kg	20,4 kg	19,7 kg
Classe de segurança	□/II			
Função de rotação sem carga suave	✓	-	✓	-

- Devido a um programa contínuo de pesquisa e desenvolvimento, estas especificações podem ser alteradas sem aviso prévio.
- As especificações podem variar de país para país.
- O peso poderá diferir em função do(s) acessório(s). A combinação mais leve e a mais pesada, de acordo com o Procedimento EPTA 01/2014, são apresentadas na tabela.

### Utilização prevista

A ferramenta foi concebida para trabalhos de burilagem em cimento, tijolo, pedra e asfalto, bem como para pregar e compactar com os acessórios adequados.

### Alimentação

A ferramenta só deve ser ligada a uma fonte de alimentação com a mesma tensão da indicada na placa de características, e só funciona com alimentação de corrente alterna (CA) monofásica. Tem um sistema de isolamento duplo e pode, por isso, utilizar tomadas sem ligação à terra.

### Ruído

A característica do nível de ruído A determinado de acordo com a EN60745-2-6:

#### Modelo HM1511

Nível de pressão acústica ( $L_{pA}$ ): 85 dB (A)  
 Nível de potência acústica ( $L_{WA}$ ): 105 dB (A)  
 Variabilidade (K): 1,57 dB (A)

#### Modelo HM1501

Nível de pressão acústica ( $L_{pA}$ ): 84 dB (A)  
 Nível de potência acústica ( $L_{WA}$ ): 104 dB (A)  
 Variabilidade (K): 2,02 dB (A)

#### Modelo HM1512

Nível de pressão acústica ( $L_{pA}$ ): 84 dB (A)  
 Nível de potência acústica ( $L_{WA}$ ): 104 dB (A)  
 Variabilidade (K): 1,76 dB (A)

#### Modelo HM1502

Nível de pressão acústica ( $L_{pA}$ ): 85 dB (A)  
 Nível de potência acústica ( $L_{WA}$ ): 105 dB (A)  
 Variabilidade (K): 1,79 dB (A)

**NOTA:** O(s) valor(es) da emissão de ruído indicado(s) foi medido de acordo com um método de teste padrão e pode ser utilizado para comparar duas ferramentas.

**NOTA:** O(s) valor(es) da emissão de ruído indicado(s) pode também ser utilizado na avaliação preliminar da exposição.

**AVISO:** Utilize protetores auriculares.

**AVISO:** A emissão de ruído durante a utilização real da ferramenta elétrica pode diferir do(s) valor(es) indicado(s), dependendo das formas como a ferramenta é utilizada, especialmente o tipo de peça de trabalho que é processada.

**AVISO:** Certifique-se de identificar as medidas de segurança para proteção do operador que sejam baseadas em uma estimativa de exposição em condições reais de utilização (considerando todas as partes do ciclo de operação, tal como quando a ferramenta está desligada e quando está a funcionar em marcha lenta além do tempo de acionamento).

### Vibração

Valor total da vibração (soma vetorial tri-axial) determinado de acordo com a EN60745-2-6:

#### Modelo HM1511

Modo de trabalho: burilagem  
 Emissão de vibrações ( $a_{h, Cheq}$ ): 6,5 m/s<sup>2</sup>  
 Variabilidade (K): 1,5 m/s<sup>2</sup>

#### Modelo HM1501

Modo de trabalho: burilagem  
 Emissão de vibração ( $a_{h, ID}$ ): 14,5 m/s<sup>2</sup>  
 Variabilidade (K): 1,5 m/s<sup>2</sup>

#### Modelo HM1512

Modo de trabalho: burilagem  
 Emissão de vibração ( $a_{h, ID}$ ): 6,5 m/s<sup>2</sup>  
 Variabilidade (K): 1,5 m/s<sup>2</sup>

#### Modelo HM1502

Modo de trabalho: burilagem  
 Emissão de vibração ( $a_{h, ID}$ ): 14,5 m/s<sup>2</sup>  
 Variabilidade (K): 1,5 m/s<sup>2</sup>

**NOTA:** O(s) valor(es) total(ais) de vibração indicado(s) foi medido de acordo com um método de teste padrão e pode ser utilizado para comparar duas ferramentas.

**NOTA:** O(s) valor(es) total(ais) de vibração indicado(s) pode também ser utilizado na avaliação preliminar da exposição.

**⚠️ AVISO:** A emissão de vibração durante a utilização real da ferramenta elétrica pode diferir do(s) valor(es) indicado(s), dependendo das formas como a ferramenta é utilizada, especialmente o tipo de peça de trabalho que é processada.

**⚠️ AVISO:** Certifique-se de identificar as medidas de segurança para proteção do operador que sejam baseadas em uma estimativa de exposição em condições reais de utilização (considerando todas as partes do ciclo de operação, tal como quando a ferramenta está desligada e quando está a funcionar em marcha lenta além do tempo de acionamento).

## Declaração de conformidade da CE

### Apenas para os países europeus

A declaração de conformidade da CE está incluída como Anexo A neste manual de instruções.

## AVISOS DE SEGURANÇA

### Avisos gerais de segurança para ferramentas elétricas

**⚠️ AVISO:** Leia todos os avisos de segurança, instruções, ilustrações e especificações fornecidos com esta ferramenta elétrica. O não cumprimento de todas as instruções indicadas em baixo pode resultar em choque elétrico, incêndio e/ou ferimentos graves.

### Guarde todos os avisos e instruções para futuras referências.

O termo "ferramenta elétrica" nos avisos refere-se às ferramentas elétricas ligadas à corrente elétrica (com cabo) ou às ferramentas elétricas operadas por meio de bateria (sem cabo).

### Avisos de segurança do martelo demolidor

1. Use protetores auditivos. A exposição ao ruído pode causar perda auditiva.
2. Utilize pega(s) auxiliar(es), se fornecida(s) com a ferramenta. A perda de controlo pode causar ferimentos pessoais.
3. Segure na ferramenta elétrica pelas superfícies de aderência isoladas, quando executar uma operação em que o acessório de corte possa entrar em contacto com fios ocultos ou com o seu cabo. O acessório de corte que entra em contacto com um fio "com corrente" pode passar a corrente para as partes metálicas expostas da ferramenta elétrica e causar choque elétrico ao operador.

4. Use capacete (capacete de segurança), óculos de proteção e/ou viseira. Os óculos com graduação ou óculos de sol NÃO são óculos de segurança. Recomenda-se também o uso de uma máscara antipoeira e luvas forradas grossas.
5. Certifique-se de que a broca está fixa na posição correta antes da operação.
6. Nas condições normais de operação, a ferramenta destina-se a produzir vibração. Os parafusos podem ser facilmente desapertados, causando uma avaria ou acidente. Verifique cuidadosamente o aperto dos parafusos antes da operação.
7. No tempo frio ou no caso de a ferramenta não ter sido utilizada por um longo período, deixe a ferramenta a aquecer durante algum tempo, operando-a sem carga. Isto irá soltar a lubrificação. Sem o aquecimento apropriado, a operação de martelagem torna-se difícil.
8. Certifique-se sempre que possui uma base firme. Certifique-se de que ninguém está por baixo quando usa a ferramenta em locais elevados.
9. Segure a ferramenta firmemente com as duas mãos.
10. Mantenha as mãos afastadas das peças móveis.
11. Não deixe a ferramenta a funcionar. Opere a ferramenta apenas quando a estiver a agarrar.
12. Não aponte a ferramenta a ninguém que se encontre na área quando estiver a operá-la. A broca pode ser projetada e ferir alguém gravemente.
13. Não toque na broca, nas peças próximas da broca ou na peça de trabalho imediatamente após a operação; podem estar extremamente quentes e queimar a sua pele.
14. Alguns materiais contêm químicos que podem ser tóxicos. Tome cuidado para evitar a inalação de poeira e o contacto com a pele. Siga os dados de segurança do fornecedor do material.
15. Não toque na ficha elétrica as mãos molhadas.
16. Antes da operação, certifique-se de que não existem objetos enterrados tais como um tubo elétrico, tubo de água ou tubo de gás na área de trabalho. Caso contrário, a broca pode tocar nos mesmos, provocando um choque elétrico, uma fuga elétrica ou uma fuga de gás.
17. Não opere a ferramenta sem carga desnecessariamente.

## GUARDE ESTAS INSTRUÇÕES.

**⚠️ AVISO:** NÃO permita que conforto ou familiaridade com o produto (adquirido com o uso repetido) substitua a aderência estrita às regras de segurança da ferramenta. MÁ INTERPRETAÇÃO ou não seguimento das regras de segurança estabelecidas neste manual de instruções pode causar danos pessoais sérios.

## DESCRIÇÃO FUNCIONAL

**⚠️ PRECAUÇÃO:** Certifique-se sempre de que a ferramenta está desligada e com a ficha retirada da tomada, antes de proceder a afinações ou de verificar o funcionamento da respetiva ferramenta.

### Ação do interruptor

**⚠️ PRECAUÇÃO:** Antes de ligar a ferramenta à corrente, verifique sempre se a alavanca do interruptor funciona corretamente e volta para a posição de desligado.

**⚠️ PRECAUÇÃO:** O interruptor pode ser bloqueado na posição de ligado para maior conforto do operador durante a utilização prolongada. Tenha cuidado ao bloquear a ferramenta na posição de ligada e segure-a com firmeza.

Para arrancar a ferramenta, pressione a alavanca do interruptor "ON (I)" no lado esquerdo da ferramenta. Para parar a ferramenta, pressione a alavanca do interruptor "OFF (O)" no lado direito da ferramenta.

► **Fig.1:** 1. Alavanca do interruptor

### Luz indicadora

A luz indicadora de alimentação ligada acende a verde quando a ferramenta está ligada.

Se a luz indicadora não acender, o cabo de alimentação ou o controlador pode estar a funcionar incorretamente.

A luz indicadora acende, mas a ferramenta não arranca mesmo que a ferramenta esteja ligada, as escovas de carvão podem estar gastas ou o controlador, o motor ou o interruptor pode estar a funcionar incorretamente.

A luz indicadora de assistência pisca a vermelho quando as escovas de carvão estão quase gastas para indicar que a ferramenta necessita de assistência.

Após aprox. 8 horas de utilização, o motor será automaticamente desligado.

► **Fig.2:** 1. Luz indicadora de alimentação ligada (verde) 2. Luz indicadora de assistência (vermelha)

### Função eletrónica

A ferramenta está equipada com as funções eletrónicas para fácil operação.

- Função de rotação sem carga suave (Apenas para os modelos HM1511 e HM1512)  
Os impactos sem carga por minuto tornam-se menores do que os com carga para reduzir a vibração sem carga, mas tal não apresenta problemas.  
Quando a operação começa com uma broca encostada a cimento, os golpes por minuto aumentam.  
Quando a temperatura é baixa, a ferramenta pode não ter esta função mesmo com o motor a rodar.
- Arranque suave  
A função de arranque suave minimiza o choque de arranque e faz com que a máquina arranque suavemente.

## MONTAGEM

**⚠️ PRECAUÇÃO:** Certifique-se sempre de que a ferramenta está desligada e com a ficha retirada da tomada antes de executar quaisquer trabalhos na ferramenta.

### Pega lateral (pega auxiliar)

**⚠️ PRECAUÇÃO:** Utilize sempre a pega lateral para garantir uma operação segura.

**⚠️ PRECAUÇÃO:** Após instalar ou ajustar a pega lateral, certifique-se de que a pega lateral está firmemente fixada.

A pega lateral pode ser balançada 360° na vertical e fixada em qualquer posição pretendida.

Desaperte a porca de fixação para balançar a pega lateral para uma posição pretendida e, em seguida, aperte firmemente a porca de fixação.

► **Fig.3:** 1. Pega lateral 2. Porca de grampo

### Instalar ou remover a broca

#### Massa lubrificante

Limpe a extremidade da haste da broca e aplique massa lubrificante antes de instalar a broca.

Aplique previamente uma pequena camada de massa lubrificante (cerca de 0,5 - 1 g) na extremidade da haste da broca. Esta lubrificação do mandril garante uma ação sem problemas e uma vida útil mais prolongada.

► **Fig.4:** 1. Extremidade da haste 2. Massa lubrificante

#### Instalar a broca

**⚠️ PRECAUÇÃO:** Certifique-se sempre de que a broca está firmemente retida tentando retirar a broca do suporte da ferramenta após concluir o procedimento acima mencionado.

#### Apenas para os modelos HM1511 e HM1501

Com a parte entalhada na haste da broca virada para o retentor da ferramenta, insira a broca no suporte da ferramenta até ao fim. Em seguida, retire e rode o retentor da ferramenta 180° para fixar a broca.

► **Fig.5:** 1. Broca 2. Retentor da ferramenta 3. Suporte da ferramenta

#### Apenas para os modelos HM1512 e HM1502

Esta ferramenta aceita brocas com ou sem anel na respetiva haste.

► **Fig.6:** 1. Broca com anel 2. Broca sem anel

Para instalar a broca, siga o procedimento (1) ou (2) descrito abaixo.

**OBSERVAÇÃO:** Não é possível reter a broca sem anel através do procedimento (1).



### (1) Para brocas com anel

Rode o retentor da ferramenta conforme apresentado na figura. Insira a broca no suporte da ferramenta até ao fim.

#### Quando inserir a broca

- Fig.7: 1. Broca 2. Retentor da ferramenta  
3. Suporte da ferramenta

Para fixar a broca, volte a colocar o retentor da ferramenta conforme apresentado na figura.

#### Quando a broca está retida

- Fig.8: 1. Broca 2. Retentor da ferramenta

### (2) Para brocas sem anel

Rode o retentor da ferramenta conforme apresentado na figura. Com a parte entalhada da broca virada para o eixo do retentor da ferramenta, insira a broca no suporte da ferramenta até ao fim.

#### Quando inserir a broca

- Fig.9: 1. Broca 2. Retentor da ferramenta  
3. Suporte da ferramenta

Para fixar a broca, rode o retentor da ferramenta conforme apresentado na figura.

#### Quando a broca está retida

- Fig.10: 1. Broca 2. Retentor da ferramenta

## Remover a broca

Para remover a broca, siga o procedimento de instalação pela ordem inversa.

## Acessório de extração de poeira

### Acessório opcional

O acessório de extração de poeira serve para reduzir a poeira e as partículas sopradas ao burilar num material cerâmico como o cimento.

1. Instale o suporte da mangueira (A).

Solte a porca de fixação e, em seguida, remova o perno hexagonal. Instale o suporte da mangueira (A) entre o perno hexagonal e a porca de fixação apertando firmemente a porca de fixação.

- Fig.11: 1. Perno hexagonal 2. Suporte da mangueira (A) 3. Porca de grampo

2. Prenda o suporte da mangueira (C) no resguardo do cabo.

- Fig.12: 1. Resguardo do cabo 2. Suporte da mangueira (C)

3. Prenda a tampa contra poeira e a mangueira na ferramenta e, em seguida, fixe a mangueira nos suportes da mangueira.

- Fig.13: 1. Tampa contra poeira 2. Mangueira 3. Suporte da mangueira (A) 4. Suporte da mangueira (C)

4. Ligue a mangueira à mangueira do aspirador com a junta da mangueira.

**NOTA:** Se a mangueira não estiver incluída, prenda a tampa contra poeira na junta do aspirador ou prenda-a a uma mangueira Makita com  $\varnothing 28$ .

5. Ajuste a distância entre a tampa contra poeira e a broca do cinzel ou a ponta de chanfro.

Para a ponta de chanfro autoafiável, ajuste a tampa contra poeira para não encobrir as ranhuras da ponta de chanfro autoafiável.

Para as brocas que não a ponta de chanfro autoafiável, a distância recomendada é de 30 mm a 100 mm.

- Fig.14: 1. Ranhura 2. 30 mm a 100 mm

## OPERAÇÃO

**⚠PRECAUÇÃO:** Utilize sempre o punho lateral (pega auxiliar) e segure firmemente a ferramenta pelos dois punhos laterais e troque a pega durante as operações.

**⚠PRECAUÇÃO:** Certifique-se sempre de que a peça de trabalho está fixada antes da operação. Caso a peça de trabalho não esteja adequadamente fixada, tal pode fazer com que a peça de trabalho se mova dando origem a ferimentos.

**⚠PRECAUÇÃO:** Não puxe a ferramenta com força para a retirar mesmo que a broca fique presa. A perda de controlo pode provocar ferimentos.

**⚠PRECAUÇÃO:** Não deixe a ferramenta cravada na peça de trabalho. Caso contrário, a ferramenta pode arrancar inadvertidamente e provocar ferimentos.

## Aparamento/raspagem/demolição

Mantenha a ferramenta firme com ambas as mãos. Ligue a ferramenta e aplique pressão ligeira na ferramenta para que a ferramenta não salte de forma descontrolada. Pressionar a ferramenta com muita força não aumenta a sua eficiência.

- Fig.15

## MANUTENÇÃO

**⚠PRECAUÇÃO:** Certifique-se sempre de que a ferramenta está desligada e desconectada da tomada antes de tentar realizar a inspeção ou manutenção.

**OBSERVAÇÃO:** Nunca utilize gasolina, benzina, diluente, álcool ou produtos semelhantes. Pode ocorrer a descoloração, deformação ou rachaduras.

Para manter a SEGURANÇA e a FIABILIDADE do produto, as reparações e qualquer outra manutenção ou ajuste devem ser levados a cabo pelos centros de assistência Makita autorizados ou pelos centros de assistência de fábrica, utilizando sempre peças de substituição Makita.

## Lubrificação

**⚠PRECAUÇÃO:** Este serviço de assistência deve ser efetuado somente pelos centros de assistência autorizados da Makita.

Esta ferramenta não requer lubrificação de hora em hora nem diária porque conta com um sistema de lubrificação cheio de massa lubrificante. Esta deve ser relubrificada com regularidade. Envie a ferramenta completa para o centro de assistência de fábrica ou autorizado da Makita para este serviço de lubrificação.



# ACESSÓRIOS OPCIONAIS

**⚠️ PRECAUÇÃO:** Estes acessórios ou peças são recomendados para utilização com a ferramenta Makita especificada neste manual. A utilização de outros acessórios ou peças pode ser perigosa para as pessoas. Utilize apenas acessórios ou peças para os fins indicados.

Se necessitar de informações adicionais relativas a estes acessórios, solicite-as ao seu centro de assistência Makita.

- Buril de ponta
- Buril
- Buril de raspagem
- Pá para barro
- Compactador
- Massa lubrificante da broca
- Acessório de extração de poeira
- Óculos de segurança
- Porta-martelo

**NOTA:** Alguns itens da lista podem estar incluídos na embalagem da ferramenta como acessórios padrão. Eles podem variar de país para país.

## SPECIFIKATIONER

Model:	HM1511	HM1501	HM1512	HM1502
Slag pr. minut	1.300 min <sup>-1</sup>			
Samlet længde	781 mm		809 mm	
Nettovægt	19,2 kg	18,4 kg	20,4 kg	19,7 kg
Sikkerhedsklasse	□/II			
Funktion til blød rotation uden belastning	✓	-	✓	-

- På grund af vores kontinuerlige forsknings- og udviklingsprogrammer kan hosstående specifikationer blive ændret uden varsel.
- Specifikationer kan variere fra land til land.
- Vægten kan være anderledes afhængigt af tilbehøret. Den letteste og tungeste kombination i henhold til EPTA-procedure 01/2014 er vist i tabellen.

### Tilsigtet brug

Maskinen er beregnet til mejslingsarbejde i beton, mursten, sten og asfalt såvel som til drift og komprimering med passende tilbehør.

### Strømforsyning

Maskinen må kun tilsluttes en strømforsyning med samme spænding som angivet på typeskiltet og kan kun anvendes på enfaset vekselstrømforsyning. Den er dobbeltisoleret og kan derfor også tilsluttes netstik uden jordforbindelse.

### Støj

Det typiske A-vægtede støjniveau bestemmt i overensstemmelse med EN60745-2-6:

#### Model HM1511

Lydtryksniveau ( $L_{pA}$ ): 85 dB (A)  
 Lydeffektniveau ( $L_{WA}$ ): 105 dB (A)  
 Usikkerhed (K): 1,57 dB (A)

#### Model HM1501

Lydtryksniveau ( $L_{pA}$ ): 84 dB (A)  
 Lydeffektniveau ( $L_{WA}$ ): 104 dB (A)  
 Usikkerhed (K): 2,02 dB (A)

#### Model HM1512

Lydtryksniveau ( $L_{pA}$ ): 84 dB (A)  
 Lydeffektniveau ( $L_{WA}$ ): 104 dB (A)  
 Usikkerhed (K): 1,76 dB (A)

#### Model HM1502

Lydtryksniveau ( $L_{pA}$ ): 85 dB (A)  
 Lydeffektniveau ( $L_{WA}$ ): 105 dB (A)  
 Usikkerhed (K): 1,79 dB (A)

**BEMÆRK:** De(n) angivne støjemissionsværdi(er) er målt i overensstemmelse med en standardtestmetode og kan anvendes til at sammenligne en maskine med en anden.

**BEMÆRK:** De(n) angivne støjemissionsværdi(er) kan også anvendes i en præliminær eksponeringsvurdering.

**⚠ ADVARSEL:** Bær høreværn.

**⚠ ADVARSEL:** Støjemissionen under den faktiske anvendelse af maskinen kan være forskellig fra de(n) angivne værdi(er), afhængigt af den måde hvorpå maskinen anvendes, især den type arbejdsømne der behandles.

**⚠ ADVARSEL:** Sørg for at identificere de sikkerhedsforskrifter til beskyttelse af operatøren, som er baseret på en vurdering af eksponering under de faktiske brugsforhold (med hensyntagen til alle dele i brugscyklussen, f.eks. de gange, hvor maskinen er slukket, og når den kører i tomgang i tilgift til afbrydertiden).

### Vibration

Vibrationens totalværdi (tre-aksial vektorsum) bestemmt i overensstemmelse med EN60745-2-6:

#### Model HM1511

Arbejdstilstand: mejsling  
 Vibrationsafgivelse ( $a_{h, C_{req}}$ ): 6,5 m/s<sup>2</sup>  
 Usikkerhed (K): 1,5 m/s<sup>2</sup>

#### Model HM1501

Arbejdstilstand: mejsling  
 Vibrationsemission ( $a_{h, ID}$ ): 14,5 m/s<sup>2</sup>  
 Usikkerhed (K): 1,5 m/s<sup>2</sup>

#### Model HM1512

Arbejdstilstand: mejsling  
 Vibrationsemission ( $a_{h, ID}$ ): 6,5 m/s<sup>2</sup>  
 Usikkerhed (K): 1,5 m/s<sup>2</sup>

#### Model HM1502

Arbejdstilstand: mejsling  
 Vibrationsemission ( $a_{h, ID}$ ): 14,5 m/s<sup>2</sup>  
 Usikkerhed (K): 1,5 m/s<sup>2</sup>

**BEMÆRK:** De(n) angivne totalværdi(er) for vibration er målt i overensstemmelse med en standardtestmetode og kan anvendes til at sammenligne en maskine med en anden.

**BEMÆRK:** De(n) angivne totalværdi(er) for vibration kan også anvendes i en præliminær eksponeringsvurdering.

**⚠ ADVARSEL:** Vibrationsemissionen under den faktiske anvendelse af maskinen kan være forskellig fra de(n) angivne værdi(er), afhængigt af den måde hvorpå maskinen anvendes, især den type arbejdsemne der behandles.

**⚠ ADVARSEL:** Sørg for at identificere de sikkerhedsforskrifter til beskyttelse af operatøren, som er baseret på en vurdering af eksponering under de faktiske brugsforhold (med hensyntagen til alle dele i brugscyklussen, f.eks. de gange, hvor maskinen er slukket, og når den kører i tomgang i tilgift til afbrydertiden).

## EF-overensstemmelseserklæring

### Kun for lande i Europa

EF-overensstemmelseserklæringen er inkluderet som Bilag A i denne brugsanvisning.

## SIKKERHEDSADVARSLER

### Almindelige sikkerhedsregler for el-værktøj

**⚠ ADVARSEL:** Læs alle de sikkerhedsadvarsler, instruktioner, illustrationer og specifikationer, der følger med denne maskine. Forsømmelse af at overholde alle nedenstående instruktioner kan medføre elektrisk stød, brand og/eller alvorlig personskade.

### Gem alle advarsler og instruktioner til fremtidig reference.

Ordet "el-værktøj" i advarslerne henviser til det netforsyede (netledning) el-værktøj eller batteriforsyede (akku) el-værktøj.

### Sikkerhedsadvarsler til elektrisk afbryder

1. **Bær høreværn.** Udsættelse for støj kan medføre høreskader.
2. **Brug hjælpehåndtaget (-håndtagene), hvis sådanne følger med maskinen.** Hvis herredømmet over maskinen mistes, kan det føre til tilskadekomst.
3. **Hold maskinen i de isolerede grebflader, når der udføres et arbejde, hvor skæretilbehøret kan komme i kontakt med skjulte ledninger eller dens egen ledning.** Skæretilbehør, som kommer i kontakt med en strømførende ledning, kan gøre maskinens ikke-isolerede metaldele strømførende, hvilket kan give operatøren elektrisk stød.
4. **Bær hjelm (sikkerhedshjelm), sikkerhedsbriller og/eller ansigtsskjold.** Almindelige briller eller solbriller er IKKE sikkerhedsbriller. Det anbefales desuden på det kraftigste at bære støvmaske og kraftigt polstrede handsker.

5. Sørg for, at bittens sidder godt fast før brugen.
6. Maskinen er designet til at forårsage vibration ved normal brug. Skruerne kan nemt løsne sig og medføre et nedbrud eller en ulykke. Kontroller før brugen, at skruerne sidder stramt.
7. I koldt vejr, eller hvis maskinen ikke har været anvendt i længere tid, skal du lade maskinen varme op et stykke tid ved at lade den køre i tomgang. Derved blødgøres smøremidlet. Uden korrekt opvarmning kan det være vanskeligt at betjene hammeren.
8. Vær altid sikker på, at De har et godt fodfæste. Vær sikker på, at der ikke befinder sig nogen nedenunder, når maskinen anvendes i højden.
9. Hold godt fast i maskinen med begge hænder.
10. Hold hænderne på afstand fra bevægelige dele.
11. Lad ikke maskinen køre i tomgang. Anvend kun maskinen håndholdt.
12. Ret ikke maskinen mod personer i nærheden, mens den kører. Bitten kan flyve ud og forårsage alvorlig personskade.
13. Rør ikke ved bittens eller dele i nærheden af bittens eller arbejdsemnet umiddelbart efter brugen. De kan være meget varme og kan forårsage forbrændinger af huden.
14. Nogle materialer indeholder kemikalier, som kan være giftige. Vær påpasselig med at forhindre inhalering af støv og hudkontakt. Følg materiale-leverandørens sikkerhedsdata.
15. Undlad at berøre strømforsyningsstikket med våde hænder.
16. Inden betjening skal du sørge for, at der ikke er nogen skjulte genstande som f.eks. elektriske rør, vandrør eller gasrør i arbejdsområdet. Ellers kan bittens muligvis røre ved dem, hvilket kan resultere i et elektrisk stød, elektrisk lækage eller gaslækage.
17. Anvend ikke maskinen unødvendigt i ubelastet tilstand.

## GEM DENNE BRUGSANVISNING.

**⚠ ADVARSEL:** LAD IKKE bekvemmelighed eller kendskab til produktet (opnået gennem gentagen brug) forhindre, at sikkerhedsforskrifterne for produktet nøje overholdes. MISBRUG eller forsømmelse af at følge de i denne brugsvejledning givne sikkerhedsforskrifter kan føre til, at De kommer alvorligt til skade.

## FUNKTIONSBESKRIVELSE

**⚠FORSIGTIG:** Kontrollér altid, at maskinen er slået fra, og at netstikket er trukket ud, før der udføres justeringer, eller funktioner kontrolleres på maskinen.

### Afbryderbetjening

**⚠FORSIGTIG:** Før maskinen tilkobles, skal du altid kontrollere, at afbryderarmen aktiveres korrekt og går tilbage i "FRA"-stillingen.

**⚠FORSIGTIG:** Kontakten kan låses i "ON"-stillingen for at gøre det nemmere for brugeren ved længere tids brug af maskinen. Vær forsigtig, når maskinen låses i "ON"-stillingen, og hold godt fast i maskinen.

For at starte maskinen skal du trykke på afbryderarmen "TIL (I)" i venstre side af maskinen. For at stoppe maskinen skal du trykke på afbryderarmen "FRA (O)" i højre side af maskinen.

► **Fig.1:** 1. Afbryderhåndtag

### Indikatorlampe

Tænd/sluk-indikator lampen lyser grønt, når maskinen er tilkoblet.

Hvis indikatorlampen ikke lyser, er netledningen eller kontrolleren muligvis defekt.

Hvis indikatorlampen lyser, men maskinen ikke starter, selvom maskinen er tændt, er kulbørsterne muligvis nedslidte, eller kontrolleren, motoren eller kontakten er muligvis defekt.

Serviceindikatorlampen blinker rødt, når kulbørsterne er næsten slidte for at indikere, at maskinen skal serviceres.

Efter ca. 8 timers anvendelse slukkes motoren automatisk.

► **Fig.2:** 1. Tænd/sluk-indikatorlampe (grøn)  
2. Serviceindikatorlampe (rød)

### Elektronisk funktion

Maskinen er udstyret med elektroniske funktioner for nem betjening.

- Funktion til blød rotation uden belastning (Kun til modelHM1511, HM1512)  
Slag ved ingen belastning pr. minut bliver mindre end dem på belastning for at reducere vibrationer under ingen belastning, men dette er ikke et tegn på en fejl.  
Når driften starter med en bit mod beton, øges slag pr. minut.  
Når temperaturen er lav, har maskinen muligvis ikke denne funktion, selv når motoren kører.
- Blød start  
Funktionen til blød start minimerer stødet ved start og får maskinen til at starte blødt.

## SAMLING

**⚠FORSIGTIG:** Sørg altid for, at maskinen er slukket og taget ud af forbindelse, inden der udføres nogen form for arbejde på maskinen.

### Sidegreb (ekstra greb)

**⚠FORSIGTIG:** Brug altid sidegrebet for sikker betjening.

**⚠FORSIGTIG:** Efter montering eller justering af sidegrebet, så sørg for, at sidegrebet er sikkert fastgjort.

Sidegrebet kan svinges 360° i lodret retning og fastgøres i enhver ønsket position.

Løsn tilspændingsmøtrikken for at svinge sidegrebet til den ønskede position, og stram derefter tilspændingsmøtrikken forsvarligt.

► **Fig.3:** 1. Sidegreb 2. Tilspændingsmøtrik

### Montering eller afmontering af bitten

#### Fedtstof

Rengør skaftenden på bitten, og påsmør fedtstof, før bitten monteres.

Dæk skaftenden af bitten med en lille smule fedtstof (cirka 0,5 - 1 g) på forhånd. Denne smøring af patronen sikrer en jævn funktion og længere levetid.

► **Fig.4:** 1. Skaftende 2. Fedtstof

#### Montering af bitten

**⚠FORSIGTIG:** Sørg altid for, at bitten fastholdes sikkert ved at forsøge at trække bitten ud af maskinholderen, efter at ovenstående procedure er udført.

#### Kun til modelHM1511, HM1501

Delen med hakket på bittens skaft vender mod bitholderen, og bitten sættes så langt ind i maskinholderen som muligt. Træk derefter bitholderen ud, og drej den 180° for at fastgøre bitten.

► **Fig.5:** 1. Bit 2. Bit-holder 3. Maskinholder

#### Kun til modelHM1512, HM1502

Denne maskine accepterer bits enten med eller uden en krave på skaftet.

► **Fig.6:** 1. Bit med krave 2. Bit uden krave

For at montere bitten skal du følge enten procedure (1) eller (2), der er beskrevet nedenfor.

**BEMÆRKNING:** Bitten uden en krave kan ikke bevares ved procedure (1).

### (1) Til bits med en krave

Drej bit-holderen som vist på fig. Indsæt bitten i bit-holderen så langt ind den kan komme.

#### Når bitten indsættes

► **Fig.7:** 1. Bit 2. Bit-holder 3. Maskinholder

Luk bit-holderen som vist på fig. for at sikre bitten.

#### Når bitten bevares

► **Fig.8:** 1. Bit 2. Bit-holder

### (2) Til bits uden en krave

Drej bit-holderen som vist på fig. Når bit-delen med hakker vender mod bit-holderens akse, indsættes bitten så langt ind i bit-holderen, som den kan komme.

#### Når bitten indsættes

► **Fig.9:** 1. Bit 2. Bit-holder 3. Maskinholder

Drej bit-holderen som vist på fig. for at sikre bitten.

#### Når bitten bevares

► **Fig.10:** 1. Bit 2. Bit-holder

## Afmontering af bitten

Følg monteringsproceduren i omvendt rækkefølge for at afmontere bitten.

## Støvsugertilbehør

### Ekstraudstyr

Støvsugertilbehøret er beregnet til at reducere støv og partikler, der er blæst væk, ved mejsling i et keramisk materiale som beton.

1. Monter slangeholderen (A).

Løsn tilspændingsmøtrikken, og fjern derefter sekskantbolten. Monter slangeholderen (A) mellem sekskantbolten og tilspændingsmøtrikken ved at stramme tilspændingsmøtrikken stramt.

► **Fig.11:** 1. Sekskantbolt 2. Slangeholder (A)  
3. Tilspændingsmøtrik

2. Monter slangeholderen (C) på ledningsbeskyttelsesdelen.

► **Fig.12:** 1. Ledningsbeskyttelsesdel 2. Slangeholder (C)

3. Monter støvdækslet og slangen på maskinen, og fastgør derefter slangen på slangeholderne.

► **Fig.13:** 1. Støvdæksel 2. Slange 3. Slangeholder (A) 4. Slangeholder (C)

4. Slut slangen til støvsugerens slange ved hjælp af slangesamlingen.

**BEMÆRK:** Hvis slangen ikke medfølger, skal du montere støvdækslet på støvsugerens samling eller fastgøre det til Makitas slange ø28.

5. Juster afstanden mellem støvdækslet og spidsen af mejslen eller spidshammeren.

For den selvslibende spidshammer skal støvdækslet justeres for ikke at dække rillerne på den selvslibende spidshammer.

For andre bits end den selvslibende spidshammer er den anbefalede afstand 30 mm til 100 mm.

► **Fig.14:** 1. Rille 2. 30 mm til 100 mm

## ANVENDELSE

**⚠FORSIGTIG:** Brug altid sidehåndtaget (ekstra håndtag), og hold godt fast i maskinen i både sidehåndtaget og omskifterhåndtaget under brug.

**⚠FORSIGTIG:** Sørg altid for, at arbejdssemnet er fastgjort før anvendelsen. Hvis arbejdssemnet ikke fastgøres ordentligt, kan det muligvis forårsage, at arbejdssemnet flytter sig, og resultere i tilskadekomst.

**⚠FORSIGTIG:** Undlad at trække maskinen ud med magt, selvom bitten sætter sig fast. Tab af kontrollen kan medføre personskaade.

**⚠FORSIGTIG:** Efterlad ikke maskinen stukket ind i arbejdssemnet. Ellers kan maskinen muligvis starte utilsigtet og forårsage tilskadekomst.

## Mejsling/afbankning/nedrivning

Hold godt fast i maskinen med begge hænder. Tænd for maskinen, og tryk let på maskinen, så den ikke springer rundt og kommer ud af kontrol. Effektiviteten forøges ikke ved at trykke meget hårdt på maskinen.

► **Fig.15**

## VEDLIGEHOLDELSE

**⚠FORSIGTIG:** Sørg altid for, at maskinen er slukket og taget ud af stikkontakten, før du forsøger at udføre inspektion eller vedligeholdelse.

**BEMÆRKNING:** Anvend aldrig benzin, rensebenzin, fortynder, alkohol og lignende. Det kan medføre misfarvning, deformation eller revner.

For at opretholde produktets SIKKERHED og PÅLIDELIGHED må reparation, vedligeholdelse eller justering kun udføres af et autoriseret Makita servicecenter eller fabrikksservicecenter med anvendelse af Makita reservedele.

## Smøring

**⚠FORSIGTIG:** Denne service bør kun udføres af autoriserede Makita-servicecentre.

Denne maskine kræver ingen time- eller daglig smøring, da den har et fedtfyldt smøresystem. Den bør eftersmøres regelmæssigt. Send hele maskinen til et autoriseret Makita-fabrikksservicecenter for denne smøreservice.

# EKSTRAUDSTYR

**⚠️ FORSIGTIG:** Det følgende tilbehør og ekstraudstyr er anbefalet til brug med Deres Makita maskine, der er beskrevet i denne brugsanvisning. Anvendelse af andet tilbehør eller ekstraudstyr kan udgøre en risiko for personskade. Anvend kun tilbehør og ekstraudstyr til det beskrevne formål.

Hvis De behøver hjælp ved valg af tilbehør eller ønsker yderligere informationer, bedes De kontakte Deres lokale Makita servicecenter.

- Spidshammer
- Koldmejsel
- Afbankningsmejsel
- Lerspade
- Stamper
- Smørelse til bit
- Støvsugertilbehør
- Beskyttelsesbriller
- Hammerbærer

**BEMÆRK:** Nogle ting på denne liste kan være inkluderet i værktøjspakken som standardtilbehør. Det kan være forskellige fra land til land.

## ΠΡΟΔΙΑΓΡΑΦΕΣ

Μοντέλο:	HM1511	HM1501	HM1512	HM1502
Κρούσεις το λεπτό	1.300 min <sup>-1</sup>			
Συνολικό μήκος	781 mm		809 mm	
Καθαρό βάρος	19,2 kg	18,4 kg	20,4 kg	19,7 kg
Κατηγορία ασφάλειας	□/II			
Λειτουργία ομαλής περιστροφής χωρίς φορτίο	✓	-	✓	-

- Λόγω του συνεχόμενου προγράμματος που εφαρμόζουμε για έρευνα και ανάπτυξη, τα τεχνικά χαρακτηριστικά στο παρόν έντυπο υπόκεινται σε αλλαγή χωρίς προειδοποίηση.
- Τα τεχνικά χαρακτηριστικά μπορεί να διαφέρουν από χώρα σε χώρα.
- Το βάρος μπορεί να διαφέρει ανάλογα με το(α) εξάρτημα(τα). Ο ελαφρύτερος και βαρύτερος συνδυασμός, σύμφωνα με τη διαδικασία ΕΡΤΑ 01/2014, απεικονίζονται στον πίνακα.

### Προβλεπόμενη χρήση

Το εργαλείο προορίζεται για εργασίες κατεπίσματος σε τσιμέντο, τούβλο, πέτρα και άσφαλο, καθώς και για βίδωμα και συμπύεση με τα κατάλληλα εξαρτήματα.

### Ηλεκτρική παροχή

Το εργαλείο πρέπει να συνδέεται μόνο με ηλεκτρική παροχή της ίδιας τάσης με αυτή που αναγράφεται στην πινακίδα ονομαστικών τιμών και μπορεί να λειτουργήσει μόνο με εναλλασσόμενο μονοφασικό ρεύμα. Υπάρχει διπλή μόνωση και κατά συνέπεια, μπορεί να γίνει σύνδεση σε ακροδέκτες χωρίς σύρμα γείωσης.

### Θορύβος

Το τυπικό Α επίπεδο καταμετρημένου θορύβου καθορίζεται σύμφωνα με το EN60745-2-6:

#### Μοντέλο HM1511

Στάθμη ηχητικής πίεσης ( $L_{pA}$ ): 85 dB (A)  
Στάθμη ηχητικής ισχύος ( $L_{WA}$ ): 105 dB (A)  
Αβεβαιότητα (K): 1,57 dB (A)

#### Μοντέλο HM1501

Στάθμη ηχητικής πίεσης ( $L_{pA}$ ): 84 dB (A)  
Στάθμη ηχητικής ισχύος ( $L_{WA}$ ): 104 dB (A)  
Αβεβαιότητα (K): 2,02 dB (A)

#### Μοντέλο HM1512

Στάθμη ηχητικής πίεσης ( $L_{pA}$ ): 84 dB (A)  
Στάθμη ηχητικής ισχύος ( $L_{WA}$ ): 104 dB (A)  
Αβεβαιότητα (K): 1,76 dB (A)

#### Μοντέλο HM1502

Στάθμη ηχητικής πίεσης ( $L_{pA}$ ): 85 dB (A)  
Στάθμη ηχητικής ισχύος ( $L_{WA}$ ): 105 dB (A)  
Αβεβαιότητα (K): 1,79 dB (A)

**ΠΑΡΑΤΗΡΗΣΗ:** Η δηλωμένη τιμή(ές) εκπομπής θορύβου έχει μετρηθεί σύμφωνα με την πρότυπη μέθοδο δοκιμής και μπορεί να χρησιμοποιηθεί για τη σύγκριση ενός εργαλείου με κάποιο άλλο.

**ΠΑΡΑΤΗΡΗΣΗ:** Η δηλωμένη τιμή(ές) εκπομπής θορύβου μπορεί να χρησιμοποιηθεί και στην προκαταρκτική αξιολόγηση της έκθεσης.

**▲ΠΡΟΕΙΔΟΠΟΙΗΣΗ:** Να φοράτε ωτοασπίδες.

**▲ΠΡΟΕΙΔΟΠΟΙΗΣΗ:** Η εκπομπή θορύβου κατά τη χρήση του ηλεκτρικού εργαλείου σε πραγματικές συνθήκες μπορεί να διαφέρει από τη δηλωμένη τιμή(ές) ανάλογα με τους τρόπους χρήσης του εργαλείου, ιδιαίτερα το είδος του μαχαίιου εργασίας που υπόκειται επεξεργασία.

**▲ΠΡΟΕΙΔΟΠΟΙΗΣΗ:** Φροντίστε να λάβετε τα κατάλληλα μέτρα προστασίας του χειριστή βάσει ενός υπολογισμού της έκθεσης σε πραγματικές συνθήκες χρήσης (λαμβάνοντας υπόψη όλες τις συνιστώσες του κύκλου λειτουργίας όπως τους χρόνους που το εργαλείο είναι εκτός λειτουργίας και όταν βρίσκεται σε αδρανή λειτουργία πέραν του χρόνου ενεργοποίησης).

### Κραδασμός

Η ολική τιμή δόνησης (άθροισμα τρι-αξονικού διανύσματος) καθορίζεται σύμφωνα με το EN60745-2-6:

#### Μοντέλο HM1511

Είδος εργασίας: καλέμισμα  
Τιμή εκπομπής δονήσεων ( $a_{h, Cheq}$ ): 6,5 m/s<sup>2</sup>  
Αβεβαιότητα (K): 1,5 m/s<sup>2</sup>

#### Μοντέλο HM1501

Είδος εργασίας: καλέμισμα  
Εκπομπή δόνησης ( $a_{h, ID}$ ): 14,5 m/s<sup>2</sup>  
Αβεβαιότητα (K): 1,5 m/s<sup>2</sup>

#### Μοντέλο HM1512

Είδος εργασίας: καλέμισμα  
Εκπομπή δόνησης ( $a_{h, ID}$ ): 6,5 m/s<sup>2</sup>  
Αβεβαιότητα (K): 1,5 m/s<sup>2</sup>

#### Μοντέλο HM1502

Είδος εργασίας: καλέμισμα  
Εκπομπή δόνησης ( $a_{h, ID}$ ): 14,5 m/s<sup>2</sup>  
Αβεβαιότητα (K): 1,5 m/s<sup>2</sup>

**ΠΑΡΑΤΗΡΗΣΗ:** Η δηλωμένη τιμή(ές) συνολικών κραδασμών έχει μετρηθεί σύμφωνα με την πρότυπη μέθοδο δοκιμής και μπορεί να χρησιμοποιηθεί για τη σύγκριση ενός εργαλείου με κάποιο άλλο.

**ΠΑΡΑΤΗΡΗΣΗ:** Η δηλωμένη τιμή(ές) συνολικών κραδασμών μπορεί να χρησιμοποιηθεί και στην προκαταρκτική αξιολόγηση της έκθεσης.



**⚠️ ΠΡΟΕΙΔΟΠΟΙΗΣΗ:** Η εκπομπή κραδασμών κατά τη χρήση του ηλεκτρικού εργαλείου σε πραγματικές συνθήκες μπορεί να διαφέρει από τη δηλωμένη τιμή(ές) εκπομπής ανάλογα με τους τρόπους χρήσης του εργαλείου, ιδιαίτερα το είδος του τεμαχίου εργασίας που υπόκειται επεξεργασία.

**⚠️ ΠΡΟΕΙΔΟΠΟΙΗΣΗ:** Φροντίστε να λάβετε τα κατάλληλα μέτρα προστασίας του χειριστή βάσει ενός υπολογισμού της έκθεσης σε πραγματικές συνθήκες χρήσης (λαμβάνοντας υπόψη όλες τις συνιστώσες του κύκλου λειτουργίας όπως τους χρόνους που το εργαλείο είναι εκτός λειτουργίας και όταν βρίσκεται σε αδρανή λειτουργία πέραν του χρόνου ενεργοποίησης).

## Δήλωση συμμόρφωσης ΕΚ

*Μόνο για χώρες της Ευρώπης*

Η δήλωση συμμόρφωσης ΕΚ περιλαμβάνεται ως Παράρτημα Α στο παρόν εγχειρίδιο οδηγιών.

## ΠΡΟΕΙΔΟΠΟΙΗΣΕΙΣ ΑΣΦΑΛΕΙΑΣ

### Γενικές προειδοποιήσεις ασφαλείας για το ηλεκτρικό εργαλείο

**⚠️ ΠΡΟΕΙΔΟΠΟΙΗΣΗ:** Διαβάστε όλες τις προειδοποιήσεις ασφαλείας, οδηγίες, εικονογραφίες και προδιαγραφές που παρέχονται με αυτό το ηλεκτρικό εργαλείο. Η μη τήρηση όλων των οδηγιών που αναγράφονται κατωτέρω μπορεί να καταλήξει σε ηλεκτροπληξία, πυρκαγιά ή/και σοβαρό τραυματισμό.

### Φυλάξτε όλες τις προειδοποιήσεις και τις οδηγίες για μελλοντική παραπομπή.

Στις προειδοποιήσεις, ο όρος «ηλεκτρικό εργαλείο» αναφέρεται σε ηλεκτρικό εργαλείο που τροφοδοτείται από την κύρια παροχή ηλεκτρικού ρεύματος (με ηλεκτρικό καλώδιο) ή σε ηλεκτρικό εργαλείο που τροφοδοτείται από μπαταρία (χωρίς ηλεκτρικό καλώδιο).

### Προειδοποιήσεις ασφάλειας για τον ηλεκτρικό θραυστήρα

1. **Φοράτε ωτοασπίδες.** Η έκθεση σε θόρυβο μπορεί να προκαλέσει απώλεια ακοής.
2. **Να χρησιμοποιείτε τις βοηθητικές λαβές, εάν παρέχονται με το εργαλείο.** Η απώλεια του ελέγχου μπορεί να προκαλέσει προσωπικό τραυματισμό.
3. **Να κρατάτε το ηλεκτρικό εργαλείο από τις μονωμένες επιφάνειες συγκράτησης κατά την εκτέλεση εργασιών όπου το εξάρτημα κοπής μπορεί να έρθει σε επαφή με κρυφές καλωδιώσεις ή με το δικό του καλώδιο τροφοδοσίας.** Σε περίπτωση επαφής του εξαρτήματος κοπής με ηλεκτροφόρο καλώδιο, μπορεί να εκτεθειμένα μεταλλικά εξάρτημα του ηλεκτρικού εργαλείου να καταστούν τα ίδια ηλεκτροφόρα και να προκαλέσουν ηλεκτροπληξία στο χειριστή.

4. **Φοράτε σκληρό καπέλο (κράνος ασφαλείας), γυαλιά ασφαλείας και/ή προσωπίδα.** Τα κοινά γυαλιά οράσεως ή ηλιού ΔΕΝ είναι γυαλιά ασφαλείας. Επίσης, συνιστάται ιδιαίτερα να φοράτε μάσκα προστασίας από τη σκόνη και γάντια με χοντρή επένδυση.
5. **Πριν από τη λειτουργία, βεβαιωθείτε ότι η μύτη έχει ασφαλίσει.**
6. **Σε κανονικές συνθήκες λειτουργίας, το εργαλείο είναι σχεδιασμένο να παράγει κραδασμούς.** Οι βιβές μπορεί να χαλαρώσουν εύκολα, προκαλώντας βλάβη ή ατύχημα. Ελέγξτε προσεκτικά το σφίξιμο των βιδών πριν από τη λειτουργία.
7. **Όταν κάνει κρού ή αν δεν έχετε χρησιμοποιήσει το εργαλείο για μεγάλο χρονικό διάστημα, αφήστε το να ζεσταθεί για λίγο επιτρέποντάς του να λειτουργήσει χωρίς φορτίο.** Με αυτόν τον τρόπο βελτιώνεται η λίπανση. Αν δεν ζεσταθεί σωστά, η κρουστική λειτουργία είναι δύσκολη.
8. **Να βεβαιώνεστε πάντοτε ότι στέκεστε σταθερά.** Όταν χρησιμοποιείτε το εργαλείο σε υψηλές τοποθεσίες, να βεβαιώνεστε ότι δεν βρίσκεται κανένας από κάτω.
9. **Κρατήστε το εργαλείο σταθερά με τα δύο χέρια.**
10. **Διατηρείτε τα χέρια σας μακριά από κινούμενα μέρη.**
11. **Μην αφήνετε το εργαλείο σε λειτουργία. Το εργαλείο πρέπει να βρίσκεται σε λειτουργία μόνο όταν το κρατάτε.**
12. **Μην στρέφετε το εργαλείο στους παρευρισκομένους στο χώρο όταν το χρησιμοποιείτε.** Η μύτη μπορεί να εκτοξευτεί και να προκαλέσει σοβαρό τραυματισμό.
13. **Μην αγγίζετε τη μύτη, τμήματα κοντά στη μύτη ή το τεμάχιο εργασίας αμέσως μετά τη λειτουργία.** Μπορεί να είναι εξαιρετικά ζεστά και να προκληθεί έγκαιμα στο δέρμα σας.
14. **Μερικά υλικά περιέχουν χημικά που μπορεί να είναι τοξικά.** Προσέχετε ώστε να αποφεύγετε την εισπνοή σκόνης και την επαφή με το δέρμα. Ακολουθείτε τα δεδομένα ασφαλείας υλικού που παρέχονται από τον προμηθευτή.
15. **Μην αγγίζετε το φως του ηλεκτρικού καλωδίου με βρεγμένα χέρια.**
16. **Πριν τη λειτουργία, βεβαιωθείτε ότι δεν υπάρχουν κάποιο θαμμένο αντικείμενο όπως ηλεκτρικός σωλήνας, σωλήνας νερού ή σωλήνας αερίου στην περιοχή εργασίας.** Διαφορετικά, η μύτη μπορεί να τα ακουμπήσει, έχοντας ως αποτέλεσμα ηλεκτροπληξία, ηλεκτρική διαρροή ή διαρροή αερίου.
17. **Μη θέτετε το εργαλείο σε λειτουργία χωρίς φόρτο, αν αυτό δεν είναι απαραίτητο.**

### ΦΥΛΑΞΤΕ ΤΙΣ ΟΔΗΓΙΕΣ ΑΥΤΕΣ.

**⚠️ ΠΡΟΕΙΔΟΠΟΙΗΣΗ:** ΜΗΝ επιτρέψετε το βαθμό άνεσης ή εξοικείωσης με το προϊόν (λόγω επανειλημμένης χρήσης) να αντικαταστήσει την αυστηρή τήρηση των κανόνων ασφαλείας του παρόντος εργαλείου. Η ΛΑΝΘΑΣΜΕΝΗ ΧΡΗΣΗ ή η αμέλεια να ακολουθήσετε τους κανόνες ασφαλείας που διατυπώνονται στο παρόν εγχειρίδιο οδηγιών μπορεί να προκαλέσει σοβαρό προσωπικό τραυματισμό.

## ΠΕΡΙΓΡΑΦΗ ΛΕΙΤΟΥΡΓΙΑΣ

**▲ΠΡΟΣΟΧΗ:** Να βεβαιώνεστε πάντα ότι το εργαλείο είναι σβηστό και αποσυνδεδεμένο από την ηλεκτρική παροχή πριν ρυθμίσετε ή ελέγχετε κάποια λειτουργία του.

### Δράση διακόπτη

**▲ΠΡΟΣΟΧΗ:** Πριν από τη σύνδεση του εργαλείου στην ηλεκτρική παροχή, να ελέγχετε πάντα ότι ο μοχλός διακόπτης ενεργοποιείται σωστά και επιστρέφει στην θέση «OFF».

**▲ΠΡΟΣΟΧΗ:** Ο διακόπτης μπορεί να ασφαλιστεί στη θέση «ENERGO» για πιο άνετη λειτουργία από τη χρήστη κατά τη διάρκεια παρατεταμένης χρήσης. Να είστε προσεκτικοί όταν ασφαρίζετε το εργαλείο στη θέση «ENERGO» και να κρατάτε καλά το εργαλείο.

Για να εκκινήσετε το εργαλείο, πατήστε τον μοχλό διακόπτη «ON (I)» στην αριστερή πλευρά του εργαλείου. Για να διακόψετε τη λειτουργία του εργαλείου, πατήστε τον μοχλό διακόπτη «OFF (O)» στη δεξιά πλευρά του εργαλείου.

► **Εικ.1:** 1. Μοχλός-διακόπτης

### Ενδεικτική λυχνία

Όταν συνδέετε το εργαλείο, ανάβει η ενδεικτική λυχνία ενεργής θέσης (ON) με πράσινο χρώμα. Αν δεν ανάβει η ενδεικτική λυχνία, μπορεί να υπάρχει δυσλειτουργία στο ηλεκτρικό καλώδιο ή στον ελεγκτή. Αν η ενδεικτική λυχνία ανάψει, αλλά το εργαλείο δεν ξεκινάει ακόμα και αν το εργαλείο είναι ενεργοποιημένο, μπορεί να έχουν φθαρεί τα καρβουνάκια ή να υπάρχουν δυσλειτουργία στον ελεγκτή, στο μοτέρ ή στον διακόπτη. Η ενδεικτική λυχνία σέρβις αναβοσβήνει με κόκκινο χρώμα όταν τα καρβουνάκια είναι σχεδόν φθαρμένα για να υποδείξει ότι το εργαλείο απαιτεί σέρβις. Μετά από περίπου 8 ώρες χρήσης, το μοτέρ θα σβήσει αυτόματα.

► **Εικ.2:** 1. Ενδεικτική λυχνία ενεργής θέσης (πράσινη) 2. Ενδεικτική λυχνία σέρβις (κόκκινη)

### Ηλεκτρονική λειτουργία

Το εργαλείο είναι εξοπλισμένο με ηλεκτρονικές λειτουργίες για εύκολη λειτουργία.

- Λειτουργία ομαλής περιστροφής χωρίς φορτίο (Για το μοντέλο HM1511, HM1512 μόνο)  
Οι κρούσεις με καθόλου φορτίο ανά λεπτό γίνονται μικρότερες από αυτές με φορτίο, προκειμένου να μειωθεί η δόνηση χωρίς φορτίο, όμως αυτό δεν αποτελεί πρόβλημα. Όταν αρχίσει να λειτουργεί με μύτη πάνω σε τσιμέντο, οι κρούσεις ανά λεπτό αυξάνονται. Όταν η θερμοκρασία είναι χαμηλή, η εν λόγω λειτουργία μπορεί να μην είναι διαθέσιμη στο εργαλείο, ακόμα και αν γυρίζει το μοτέρ.
- Ομαλή εκκίνηση  
Η λειτουργία ομαλής εκκίνησης ελαχιστοποιεί τον κραδασμό κατά την εκκίνηση και καθιστά την εκκίνηση του μηχανήματος ομαλή.

## ΣΥΝΑΡΜΟΛΟΓΗΣΗ

**▲ΠΡΟΣΟΧΗ:** Να βεβαιώνεστε πάντα ότι το εργαλείο είναι σβηστό και αποσυνδεδεμένο από την ηλεκτρική παροχή πριν εκτελέσετε οποιαδήποτε εργασία σε αυτό.

### Πλευρική χειρολαβή (βοηθητική λαβή)

**▲ΠΡΟΣΟΧΗ:** Να χρησιμοποιείτε πάντα την πλευρική χειρολαβή για να διασφαλίζεται η ασφαλής λειτουργία.

**▲ΠΡΟΣΟΧΗ:** Μετά την τοποθέτηση ή τη ρύθμιση της πλευρικής χειρολαβής, βεβαιωθείτε ότι η πλευρική χειρολαβή έχει ασφαλίσει σταθερά.

Η πλευρική χειρολαβή μπορεί να στραφεί κατακόρυφα κατά 360° και να ασφαλίσει σε οποιαδήποτε επιθυμητή θέση.

Χαλαρώστε το παξιμάδι σύσφιξης για να στρέψετε την πλευρική χειρολαβή σε μια επιθυμητή θέση, και μετά σφίξτε καλά το παξιμάδι σύσφιξης.

► **Εικ.3:** 1. Πλευρική χειρολαβή 2. Παξιμάδι σύσφιξης

### Τοποθέτηση ή αφαίρεση της μύτης

#### Γράσο

Καθαρίστε το άκρο στελέχους της μύτης και βάλτε γράσο πριν τοποθετήσετε τη μύτη. Επαλείψτε από πριν το άκρο στελέχους της μύτης με μια μικρή ποσότητα γράσου (περίπου 0,5 - 1 g). Η λίπανση του σφιγκτήρα εξασφαλίζει ομαλή λειτουργία και μεγαλύτερη διάρκεια ζωής.

► **Εικ.4:** 1. Άκρο στελέχους 2. Γράσο

#### Τοποθέτηση μύτης

**▲ΠΡΟΣΟΧΗ:** Να βεβαιώνεστε πάντα ότι η μύτη συγκρατείται με ασφάλεια προσπαθώντας να τραβήξετε τη μύτη από τον υποδοχέα εργαλείου αφού ολοκληρώσετε την παραπάνω διαδικασία.

#### Για το μοντέλο HM1511, HM1501 μόνο

Με το αυλακωτό τμήμα στο στέλεχος της μύτης στραμμένο προς τον συγκρατητή εργαλείου, εισαγάγετε τη μύτη στον υποδοχέα εργαλείου μέχρι τέρμα. Μετά, τραβήξτε και περιστρέψτε τον συγκρατητή εργαλείου κατά 180° για να ασφαλίσετε τη μύτη.

► **Εικ.5:** 1. Μύτη 2. Συγκρατητής εργαλείου  
3. Υποδοχέας εργαλείου

#### Για το μοντέλο HM1512, HM1502 μόνο

Το εργαλείο δέχεται μύτες με ή χωρίς κολάρο στο στέλεχος.

► **Εικ.6:** 1. Μύτη με κολάρο 2. Μύτη χωρίς κολάρο

Για να τοποθετήσετε τη μύτη, ακολουθήστε τη διαδικασία (1) ή (2) που περιγράφεται παρακάτω.

**ΕΙΔΟΠΟΙΗΣΗ:** Η μύτη χωρίς κολάρο δεν μπορεί να συγκρατηθεί με τη διαδικασία (1).

- (1) **Για μύτες με κολάρο**  
Περιστρέψτε τον συγκρατητή εργαλείου όπως απεικονίζεται στην εικόνα. Εισαγάγετε τη μύτη μέσα στον υποδοχέα εργαλείου μέχρι τέρμα.

#### Όταν εισαγάγετε τη μύτη

- **Εικ.7:** 1. Μύτη 2. Συγκρατητής εργαλείου  
3. Υποδοχέας εργαλείου

Για να ασφαλίσετε τη μύτη, επιστρέψτε τον συγκρατητή εργαλείου όπως απεικονίζεται στην εικόνα.

#### Όταν η μύτη συγκρατείται

- **Εικ.8:** 1. Μύτη 2. Συγκρατητής εργαλείου

(2) **Για μύτες χωρίς κολάρο**

Περιστρέψτε τον συγκρατητή εργαλείου όπως απεικονίζεται στην εικόνα. Με το αυλακωτό τμήμα της μύτης στραμμένο προς τον άξονα συγκρατητή εργαλείου, εισαγάγετε τη μύτη μέσα στον υποδοχέα εργαλείου μέχρι τέρμα.

#### Όταν εισαγάγετε τη μύτη

- **Εικ.9:** 1. Μύτη 2. Συγκρατητής εργαλείου  
3. Υποδοχέας εργαλείου

Για να ασφαλίσετε τη μύτη, περιστρέψτε τον συγκρατητή εργαλείου όπως απεικονίζεται στην εικόνα.

#### Όταν η μύτη συγκρατείται

- **Εικ.10:** 1. Μύτη 2. Συγκρατητής εργαλείου

## Αφαίρεση της μύτης

Για να αφαιρέσετε τη μύτη, ακολουθήστε τη διαδικασία τοποθέτησης με αντιστροφή σειρά.

### Εξάρτημα απαγωγής σκόνης

#### Προαιρετικό εξάρτημα

Το εξάρτημα απαγωγής σκόνης προορίζεται για τη μείωση της εκτοξευόμενης σκόνης και σωματιδίων κατά το καλέμισμα κεραμικών υλικών όπως το τσιμέντο.

1. Τοποθετήστε τον υποδοχέα συγκράτησης εύκαμπτου σωλήνα (Α).

Χαλαρώστε το παξιμάδι σύσφιξης και μετά αφαιρέστε το εξαγωνικό μπουλόνι. Τοποθετήστε τον υποδοχέα συγκράτησης εύκαμπτου σωλήνα (Α) μεταξύ του εξαγωνικού μπουλονιού και του παξιμαδιού σύσφιξης σφίγγοντας σταθερά το παξιμάδι σύσφιξης.

- **Εικ.11:** 1. Εξαγωνικό μπουλόνι 2. Υποδοχέας συγκράτησης εύκαμπτου σωλήνα (Α)  
3. Παξιμάδι σύσφιξης

2. Προσαρτήστε τον υποδοχέα συγκράτησης εύκαμπτου σωλήνα (C) στο προστατευτικό καλωδίου.

- **Εικ.12:** 1. Προστατευτικό καλωδίου 2. Υποδοχέας συγκράτησης εύκαμπτου σωλήνα (C)

3. Στερεώστε το προστατευτικό σκόνης και τον εύκαμπο σωλήνα στο εργαλείο και μετά στερεώστε τον εύκαμπο σωλήνα στα στηρίγματα εύκαμπτου σωλήνα.

- **Εικ.13:** 1. Προστατευτικό σκόνης 2. Εύκαμπτος σωλήνας 3. Υποδοχέας συγκράτησης εύκαμπτου σωλήνα (Α) 4. Υποδοχέας συγκράτησης εύκαμπτου σωλήνα (C)

4. Συνδέστε τον εύκαμπο σωλήνα στο σωλήνα της ηλεκτρικής σκούπας με το σύνδεσμο εύκαμπτου σωλήνα.

**ΠΑΡΑΤΗΡΗΣΗ:** Αν ο εύκαμπτος σωλήνας δεν περιλαμβάνεται, στερεώστε το προστατευτικό σκόνης στην υποδοχή της ηλεκτρικής σκούπας ή στον εύκαμπο σωλήνα Makita ø28.

5. Ρυθμίστε την απόσταση από το προστατευτικό σκόνης μέχρι το άκρο του καλεμιού ή το σφυροκέφαλο.

Για το σφυροκέφαλο αυτόματου ακονίσματος, ρυθμίστε το κάλυμμα σκόνης ώστε να μην καλύπτει τις εγχοπές του σφυροκέφαλου αυτόματου ακονίσματος.

Για μύτες διαφορετικές από το σφυροκέφαλο αυτόματου ακονίσματος, η συνιστώμενη απόσταση είναι 30 mm έως 100 mm.

- **Εικ.14:** 1. Εγχοπή 2. 30 mm έως 100 mm

## ΛΕΙΤΟΥΡΓΙΑ

**▲ΠΡΟΣΟΧΗ:** Να χρησιμοποιείτε πάντα την πλάγια λαβή (βοηθητική λαβή) και να κρατάτε σταθερά το εργαλείο από την πλάγια λαβή και τη λαβή διακόπτη κατά την εκτέλεση των εργασιών.

**▲ΠΡΟΣΟΧΗ:** Πριν από τη λειτουργία, να βεβαιώνετε πάντα ότι το τεμάχιο εργασίας έχει ασφαλίσει. Αν δεν ασφαλίσετε σωστά το τεμάχιο εργασίας, μπορεί να προκληθεί η κίνηση του τεμαχίου εργασίας έχοντας ως αποτέλεσμα τον τραυματισμό.

**▲ΠΡΟΣΟΧΗ:** Μην τραβάτε το εργαλείο με δύναμη προς τα έξω, ακόμα και αν κολλήσει η μύτη. Η απώλεια ελέγχου ενδέχεται να προκαλέσει τραυματισμό.

**▲ΠΡΟΣΟΧΗ:** Μην αφήνετε το εργαλείο καρφωμένο μέσα στο τεμάχιο εργασίας. Διαφορετικά, το εργαλείο μπορεί να ξεκινήσει κατά λάθος και να προκαλέσει τραυματισμό.

## Κοπή/αφαίρεση σκουριάς/κατεδάφιση

Να κρατάτε το εργαλείο καλά με τα δύο χέρια. Ενεργοποιήστε το εργαλείο και ασκήστε μικρή πίεση στο εργαλείο, έτσι ώστε να μην αναπηδήσει ανεξέλεγκτα. Αν πίεσετε το εργαλείο πολύ δυνατά, δεν αυξάνεται η αποτελεσματικότητά του.

- **Εικ.15**

## ΣΥΝΤΗΡΗΣΗ

**▲ΠΡΟΣΟΧΗ:** Να βεβαιώνετε πάντα ότι το εργαλείο είναι σβηστό και αποσυνδεδεμένο από την ηλεκτρική παροχή πριν εκτελέσετε οποιαδήποτε εργασία επιθεώρησης ή συντήρησης.

**ΕΙΔΟΠΟΙΗΣΗ:** Μην χρησιμοποιείτε ποτέ βενζίνη, πετρελαϊκό αιθέρα, διαλυτικό, αλκοόλη ή παρόμοιες ουσίες. Μπορεί να προκληθεί αποχρωματισμός, παραμόρφωση ή ρωγμές.

Για τη διατήρηση της ΑΣΦΑΛΕΙΑΣ και ΑΞΙΟΠΙΣΤΙΑΣ του προϊόντος, οι επισκευές και οποιαδήποτε άλλη εργασία συντήρησης ή ρύθμισης πρέπει να εκτελούνται από εξουσιοδοτημένα ή εργοστασιακά κέντρα εξυπηρέτησης της Makita, χρησιμοποιώντας πάντοτε ανταλλακτικά της Makita.

## Λίπανση

**⚠ ΠΡΟΣΟΧΗ:** Το σέρβις αυτό πρέπει να εκτελείται μόνο από εξουσιοδοτημένα κέντρα σέρβις της Makita.

Το εργαλείο αυτό δεν απαιτεί ωριαία ή καθημερινή λίπανση επειδή διαθέτει σύστημα λίπανσης με γράσο. Θα πρέπει να επαναλιπαίνεται τακτικά. Στείλτε ολόκληρο το εργαλείο σε εξουσιοδοτημένο ή εργοστασιακό κέντρο σέρβις της Makita για αυτή την υπηρεσία λίπανσης.

## ΠΡΟΑΙΡΕΤΙΚΑ ΕΞΑΡΤΗΜΑΤΑ

**⚠ ΠΡΟΣΟΧΗ:** Αυτά τα εξαρτήματα ή προσαρτήματα συνιστώνται για χρήση με το εργαλείο Makita που περιγράφηκε στις οδηγίες αυτές. Η χρήση οποιωνδήποτε άλλων εξαρτημάτων ή προσαρτημάτων μπορεί να προκαλέσει κίνδυνο τραυματισμού σε άτομα. Να χρησιμοποιείτε τα εξαρτήματα ή προσαρτήματα μόνο για την χρήση που προορίζονται.

Εάν χρειάζεστε οποιαδήποτε βοήθεια για περισσότερες πληροφορίες σε σχέση με αυτά τα εξαρτήματα, αποτανθείτε στο τοπικό σας κέντρο εξυπηρέτησης Makita.

- Διατρητική βελόνα
- Κοπίδι χαρακτών
- Κοπίδι αφαίρεσης σκουριάς
- Φτυάρι για άργιλο
- Ωθητική ράβδος
- Γράσο μυτών
- Εξάρτημα απαγωγής σκόνης
- Προστατευτικά γυαλιά
- Φορέας σφυριού

**ΠΑΡΑΤΗΡΗΣΗ:** Μερικά στοιχεία στη λίστα μπορεί να συμπεριλαμβάνονται στη συσκευασία εργαλείου ως στάνταρ εξαρτήματα. Μπορεί να διαφέρουν ανάλογα με τη χώρα.

## TEKNİK ÖZELLİKLER

Model:	HM1511	HM1501	HM1512	HM1502
Dakikadaki darbe sayısı	1.300 min <sup>-1</sup>			
Toplam uzunluk	781 mm		809 mm	
Net ağırlık	19,2 kg	18,4 kg	20,4 kg	19,7 kg
Emniyet sınıfı	II/III			
Yumuşak yüksüz dönüş fonksiyonu	✓	-	✓	-

- Sürekli yapılan araştırma ve geliştirmelerden dolayı, burada belirtilen özellikler önceden bildirilmeksizin değiştirilebilir.
- Özellikler ülkeden ülkeye değişebilir.
- Ağırlık, ek parçaya(parçalara) bağlı olarak değişebilir. En hafif ve en ağır kombinasyon, EPTA Prosedürü 01/2014'e göre, tabloda gösterilmiştir.

### Kullanım amacı

Bu alet beton, tuğla, taş ve asfaltı yontmak ve uygun aksesuarlarla çakma ve sıkıştırma yapmak için tasarlanmıştır.

### Güç kaynağı

Aletin, yalnızca isim levhasında belirtilenle aynı voltajlı güç kaynağına bağlanması gerekir ve yalnızca tek fazlı AC güç kaynağıyla çalıştırılabilir. Çifte yalıtımlıdır ve topraklamasız prizlerle de kullanılabilir.

### Gürültü

Tipik A-ağırlıklı gürültü düzeyi (EN60745-2-6 standardına göre belirlenen):

#### Model HM1511

Ses basınç seviyesi (L<sub>PA</sub>): 85 dB (A)  
Ses gücü düzeyi (L<sub>WA</sub>): 105 dB (A)  
Belirsizlik (K): 1,57 dB (A)

#### Model HM1501

Ses basınç seviyesi (L<sub>PA</sub>): 84 dB (A)  
Ses gücü düzeyi (L<sub>WA</sub>): 104 dB (A)  
Belirsizlik (K): 2,02 dB (A)

#### Model HM1512

Ses basınç seviyesi (L<sub>PA</sub>): 84 dB (A)  
Ses gücü düzeyi (L<sub>WA</sub>): 104 dB (A)  
Belirsizlik (K): 1,76 dB (A)

#### Model HM1502

Ses basınç seviyesi (L<sub>PA</sub>): 85 dB (A)  
Ses gücü düzeyi (L<sub>WA</sub>): 105 dB (A)  
Belirsizlik (K): 1,79 dB (A)

**NOT:** Beyan edilen gürültü emisyonu değer(ler) bir standart test yöntemine uygun şekilde ölçülmüştür ve bir aleti bir başkasıyla karşılaştırmak için kullanılabilir.

**NOT:** Beyan edilen gürültü emisyonu değer(ler) i bir ön maruz kalma değerlendirmesi olarak da kullanılabilir.

**UYARI:** Kulak koruyucuları takın.

**UYARI:** Elektrikli aletin gerçek kullanımı sırasındaki gürültü emisyonu, aletin kullanım biçimlerine, özellikle işlenen iş parçasının türüne bağlı olarak beyan edilen değer(ler)den farklı olabilir.

**UYARI:** Gerçek kullanım koşullarındaki tahmini maruziyeti baz alan, operatörü koruyacak güvenlik önlemlerini mutlaka belirleyin (çalışma döngüsü içerisinde aletin kapalı olduğu ve aktif durumda olmasının yanı sıra boşta çalıştığı zamanlar gibi, bütün zaman dilimleri göz önünde bulundurarak).

### Titreşim

Titreşim toplam değeri (üç eksenli vektör toplamı) (EN60745-2-6 standardına göre hesaplanan):

#### Model HM1511

Çalışma modu: yontma  
Titreşim emisyonu (a<sub>h,Chaq</sub>): 6,5 m/s<sup>2</sup>  
Belirsizlik (K) : 1,5 m/s<sup>2</sup>

#### Model HM1501

Çalışma modu: yontma  
Titreşim emisyonu (a<sub>h,IP</sub>): 14,5 m/s<sup>2</sup>  
Belirsizlik (K) : 1,5 m/s<sup>2</sup>

#### Model HM1512

Çalışma modu: yontma  
Titreşim emisyonu (a<sub>h,IP</sub>): 6,5m/s<sup>2</sup>  
Belirsizlik (K) : 1,5 m/s<sup>2</sup>

#### Model HM1502

Çalışma modu: yontma  
Titreşim emisyonu (a<sub>h,IP</sub>): 14,5 m/s<sup>2</sup>  
Belirsizlik (K) : 1,5 m/s<sup>2</sup>

**NOT:** Beyan edilen titreşim toplam değer(ler) bir standart test yöntemine uygun şekilde ölçülmüştür ve bir aleti bir başkasıyla karşılaştırmak için kullanılabilir.

**NOT:** Beyan edilen titreşim toplam değer(ler) bir ön maruz kalma değerlendirmesi olarak da kullanılabilir.

**⚠UYARI:** Elektrikli aletin gerçek kullanımı sırasındaki titreşim emisyonu, aletin kullanım biçimlerine, özellikle işlenen iş parçasının türüne bağlı olarak beyan edilen değer(ler)den farklı olabilir.

**⚠UYARI:** Gerçek kullanım koşullarındaki tahmini maruziyeti baz alan, operatörü koruyacak güvenlik önlemlerini mutlaka belirleyin (çalışma döngüsü içerisinde aletin kapalı olduğu ve aktif durumda olmasının yanı sıra boşta çalıştığı zamanlar gibi, bütün zaman dilimleri göz önünde bulundurarak).

## EC Uygunluk Beyanı

### Sadece Avrupa ülkeleri için

EC uygunluk beyanı bu kullanım kılavuzuna Ek A olarak eklenmiştir.

## GÜVENLİK UYARILARI

### Genel elektrikli alet güvenliği uyarıları

**⚠UYARI:** Bu elektrikli aletle birlikte sunulan tüm güvenlik uyarılarını, talimatları, çizimleri ve teknik özellikleri okuyun. Aşağıda verilen talimatlara uyulmaması elektrik şoku, yangın ve/veya ciddi yaralanmalar ile sonuçlanabilir.

## Tüm uyarıları ve talimatları iletiride başvurmak için saklayın.

Uyarılardaki “elektrikli alet” terimi ile ya prizden çalışan (kordonlu) elektrikli aletiniz ya da kendi aküsü ile çalışan (kordonsuz) elektrikli aletiniz kastedilmektedir.

### Elektrikli Kırıcı güvenlik uyarıları

1. **Kulak koruyucuları takın.** Gürültüye maruz kalmak işitme kaybına neden olabilir.
2. **Aletle birlikte sağlanmışsa yardımcı tutamaç/tutamakları kullanın.** Kontrol kaybı yaralanmaya neden olabilir.
3. **Kesici aksesuarın görünmeyen kabloları ya da aletin kendi kordonuna temas etme olasılığı bulunan yerlerde çalışırken elektrikli aleti yalıtımlı kavrama yüzeylerinden tutun.** Kesici aksesuarın “akımlı” bir telle temas etmesi elektrikli aletin yalıtımsız metal kısımlarını “akımlı” hale getirebilir ve kullanıcıyı elektrik şokuna maruz bırakabilir.
4. **Sert bir başlık (emniyet kaskı), koruyucu gözlük ve/veya yüz siperi kullanın.** Normal gözlükler veya güneş gözlükleri koruyucu gözlük DEĞİLDİR. Ayrıca bir toz maskesi ve kalın eldivenler giymeniz de önerilir.
5. **Çalışmaya başlamadan önce ucun yerine sağlam bir şekilde takıldığını emin olun.**
6. **Normal kullanımda, alet titreşim üretecek şekilde tasarlanmıştır.** Vidalar kolayca gevşeyebilir, arızaya ya da kazaya sebep olabilir. Kullanmadan önce vidaların sıkılığını kontrol edin.
7. **Soğuk havalarda ya da alet uzun bir süre kullanılmamışsa, yüksük olarak bir müddet çalıştırıp aletin ısınmasını sağlayın.** Bu işlem yağın çözülmesini sağlar. Uygun bir şekilde ısıtılmadığında, kırma işleminde zorluk görülür.

8. **Her zaman yere sağlam basın.** Aleti yüksekte kullandığınızda, altında kimsenin olmadığından emin olun.
9. **Aleti iki elle sıkıca tutun.**
10. **Ellerinizi hareketli parçalardan uzak tutun.**
11. **Aleti çalışır durumda bırakmayın.** Aleti sadece elinizde iken çalıştırın.
12. **Kullanım sırasında aleti etraftaki herhangi birine doğrultmayın.** Uç yourinden fırlayıp ciddi yaralanmalara sebep olabilir.
13. **Ucu, uca yakın parçaları veya iş parçasını işlemeden hemen sonra ellemeyin;** bunlar çok sıcak olup derinizi yakabilir.
14. **Bazı malzemeler zehirli olabilen kimyasallar içerirler.** Toz yutmayı ve cilt temasını önlemek için tedbir alın. Malzeme sağlayıcısının güvenlik bilgilerine uyun.
15. **Elektrik fişine ıslak ellerle dokunmayın.**
16. **Çalışma öncesinde çalışma alanında elektrik borusu, su borusu veya gaz borusu gibi gömülü nesnelere olmadığından emin olun.** Aksi takdirde uç bunlara dokunarak elektrik çarpmasına, elektrik kaçağına veya gaz sızıntısına neden olabilir.
17. **Aleti gereksiz yere yüksük çalıştırmayın.**

## BU TALİMATLARI SAKLAYIN.

**⚠UYARI:** Ürünü kullanırken (defalarca kullanınca kazanılan) rahatlık ve tanıdıklık duygusunun ilgili ürünün güvenlik kurallarına sıkı sıkıya bağlı kalmanın yerine geçmesine İZİN VERMEYİN. **YANLIŞ KULLANIM** veya bu kullanma kılavuzunda belirtilen emniyet kurallarına uymama ciddi yaralanmaya neden olabilir.

## İŞLEVSEL NİTELİKLER

**⚠DİKKAT:** Alet üzerinde ayarlama ya da işleyiş kontrolü yapmadan önce aletin kapalı ve fişinin çekili olduğundan daima emin olun.

### Anahtar işlemi

**⚠DİKKAT:** Aleti fişe takmadan önce, anahtar kolunun doğru şekilde çalışıp çalışmadığını ve “OFF” konumuna dönüp dönmediğini mutlaka kontrol edin.

**⚠DİKKAT:** Uzun süreli kullanım sırasında kullanıcının rahatı için anahtar “ON” (açık) konumunda kilitlenir. Anahtar “ON” (açık) konumunda kilitliken dikkatli olun ve aleti sıkı kavrayın.

Aleti başlatmak için aletin sol tarafındaki “ON (I)” anahtar kolunu ittirin. Aleti durdurmak için aletin sağ tarafındaki “OFF (O)” anahtar kolunu ittirin.

► **Şek.1:** 1. Anahtar kol

## Gösterge lambası

Güç açık gösterge lambası aletin fişi takıldığında yeşil yanar.

Gösterge lambası yanmıyorsa elektrik kablosu veya kontrolör arızalı olabilir.

Gösterge lambası yanıyor fakat alet açılrsa bile çalışmaya başlamıyorsa karbon fırçalar aşınmış ya da kontrolör, motor veya anahtar arızalı olabilir.

Karbon fırçalar oldukça aşındığında aletin servise ihtiyacı duyduğunu göstermek için servis gösterge lambası kırmızı yanıp söner.

Yaklaşık 8 saat kullanımın ardından motor otomatik olarak kapatılır.

- **Şek.2:** 1. Güç açık gösterge lambası (yeşil)  
2. Servis gösterge lambası (kırmızı)

## Elektronik fonksiyonu

Alet kolay kullanım için elektronik fonksiyonlarla donatılmıştır.

- Yumuşak yüksüz dönüş fonksiyonu (Sadece Model HM1511, HM1512 için)  
Yük altında titreşimi azaltmak için dakikadaki yüksüz darbe sayısı yük altındaki darbe sayısından daha düşük olur, ancak bu bir sorun olduğunu göstermez.  
Uç betona dayanmış durumda çalışma başladığında dakikadaki darbe sayısı yükselir.  
Sıcaklık düşüken motor dönse bile alet bu işlemlerle sahip olmayabilir.
- Yumuşak başlatma  
Yumuşak başlama fonksiyonu başlangıç şoklarını en alt düzeye indirir ve makinenin daha rahat başlamasını sağlar.

## MONTAJ

**⚠DİKKAT:** Alet üzerinde herhangi bir iş yapmadan önce aletin kapalı ve fişinin çekili olduğundan daima emin olun.

## Yan tutamak (yardımcı tutamak)

**⚠DİKKAT:** Çalışma güvenliği için daima yan tutamağı kullanın.

**⚠DİKKAT:** Yan tutamağı takıp ayarladıktan sonra yerine iyice sabitlendiğinden emin olun.

Yan tutamak dikey ekseninde 360° döndürülebilir ve istenilen konumda sabitlenebilir.

Yan tutamağı istenen konuma çevirmek için kenetleme somununu gevşetin, sonra kenetleme somununu iyice sıkın.

- **Şek.3:** 1. Yan tutamak 2. Kenetleme somunu

## Ucun takılması ve çıkarılması

### Gres yağı

Ucu takmadan önce ucun mil ucunu temizleyin ve gres ile yağlayın.

Ucun mil ucunu önceden az miktarda gres ile yağlayın (yaklaşık 0,5 - 1 g). Mandrenin yağlanması yumuşak bir çalışma ve daha uzun servis ömrü sağlar.

- **Şek.4:** 1. Mil ucu 2. Gres yağı

### Ucun takılması

**⚠DİKKAT:** Yukarıdaki işlemi tamamladıktan sonra ucu alet yuvasından çekerek çıkarmaya çalışarak ucun sıkıca tutulduğunu mutlaka kontrol edin.

### Sadece Model HM1511, HM1501 için

Uç milinin üzerindeki çentikli kısım alet tutucusuna doğru bakar durumda ucu alet yuvasına sonuna kadar sokun. Ardından alet tutucusunu dışarı çekip 180° çevirerek ucu sabitleyin.

- **Şek.5:** 1. Uç 2. Alet tutucusu 3. Alet yuvası

### Sadece Model HM1512, HM1502 için

Bu alet milinde manşon bulunan veya bulunmayan uçları kabul eder.

- **Şek.6:** 1. Manşonlu uç 2. Manşonsuz uç

Ucu takmak için aşağıda anlatılan (1) veya (2) numaralı prosedürü izleyin.

**ÖNEMLİ NOT:** Manşonsuz uç, (1) numaralı prosedürle sabitlenemez.

#### (1) Manşonlu uçlar için

Alet tutucusunu şekilde gösterildiği gibi çevirin. Ucu alet yuvasına sonuna kadar sokun.

#### Ucu sokarken

- **Şek.7:** 1. Uç 2. Alet tutucusu 3. Alet yuvası

Ucu sabitlemek için alet tutucusunu şekilde gösterildiği gibi geri çevirin.

#### Uç sabitlendiğinde

- **Şek.8:** 1. Uç 2. Alet tutucusu

#### (2) Manşonsuz uçlar için

Alet tutucusunu şekilde gösterildiği gibi çevirin. Ucun çentikli kısmı alet tutucusu miline bakacak şekilde ucu alet yuvasına sonuna kadar sokun.

#### Ucu sokarken

- **Şek.9:** 1. Uç 2. Alet tutucusu 3. Alet yuvası

Ucu sabitlemek için alet tutucusunu şekilde gösterildiği gibi çevirin.

#### Uç sabitlendiğinde

- **Şek.10:** 1. Uç 2. Alet tutucusu

### Ucun çıkarılması

Ucu çıkarmak için, takma işlemini tersinden uygulayın.



## Toz atma aparatı

### İsteğe bağlı aksesuarlar

Toz atma aparatı, beton gibi seramik malzemede yontma yaparken uçan toz ve parçacıkları azaltmak içindir.

1. Hortum tutucuyu (A) takın.

Kenetleme somununu gevşetin ve ardından altıgen civatayı çıkarın. Hortum tutucuyu (A) altıgen civata ile kenetleme somununun arasına, kenetleme somununu iyice sıkarak takın.

► **Şek.11:** 1. Altıgen civata 2. Hortum tutucu (A) 3. Kenetleme somunu

2. Hortum tutucuyu (C) kablo muhafazasına takın.

► **Şek.12:** 1. Kablo muhafazası 2. Hortum tutucu (C)

3. Toz kapağını ve hortumu alete takın ve ardından hortumu hortum tutuculara tutturun.

► **Şek.13:** 1. Toz kapağı 2. Hortum 3. Hortum tutucu (A) 4. Hortum tutucu (C)

4. Hortumu, elektrikli süpürge hortumuna hortum rakoru ile bağlayın.

**NOT:** Hortum dahil değilse toz kapağını elektrikli süpürge hortumuna veya Makita hortuma ø28 takın.

5. Toz kapağı ile murç veya keskinin ucu arasındaki mesafeyi ayarlayın.

Otomatik bilen keski için toz kapağını, otomatik bilen keski girintilerini örtmeyecek şekilde ayarlayın.

Otomatik bilen keski dışındaki uçlar için önerilen mesafe 30 mm ile 100 mm arasındadır.

► **Şek.14:** 1. Girinti 2. 30 mm ile 100 mm

## KULLANIM

**▲DİKKAT:** Çalışırken daima yan kavrama kolunu (yardımcı tutamak) kullanın ve aleti hem yan kavrama kolundan hem de anahtar kabzasından sıkıca kavrayın.

**▲DİKKAT:** Çalışmaya başlamadan önce iş parçasının sabitlenmiş olduğundan daima emin olun. İş parçasının düzgün bir şekilde sabitlenmemesi iş parçasının hareket ederek yaralanmaya yol açmasına neden olabilir.

**▲DİKKAT:** Uç sıkışsa bile aleti zorlayarak çekmeyin. Kontrol kaybı yaralanmaya neden olabilir.

**▲DİKKAT:** Aleti iş parçasına saplanmış durumda bırakmayın. Aksi takdirde alet kazara çalışabilir ve yaralanmaya neden olabilir.

## Yontma/Raspalama/Kırma

Aleti iki elle sıkıca tutun. Aleti çalıştırın ve tepme yapmadan kontrollü bir şekilde kullanılması için hafif bir basınç uygulayın. Alete çok fazla bastırmak daha verimli bir kullanım sağlamaz.

► **Şek.15**

## BAKIM

**▲DİKKAT:** Alet üzerinde kontrol veya bakım işlemlerine başlamadan önce mutlaka aletin kapalı ve fişinin çekili olduğundan emin olun.

**ÖNEMLİ NOT:** Benzin, tiner, alkol ve benzeri maddeleri kesinlikle kullanmayın. Renk değişimi, deformasyon veya çatlaklar oluşabilir.

Aleti EMNİYETLİ ve ÇALIŞMAYA HAZIR durumda tutmak için onarımlar, başka her türlü bakım ve ayarlamalar daima Makita yedek parçaları kullanılarak Makita yetkili servis merkezleri veya Fabrikanın Servis Merkezleri tarafından yapılmalıdır.

## Yağlama

**▲DİKKAT:** Bu bakım işlemi sadece Makita Yetkili Servis Merkezleri tarafından yapılmalıdır.

Bu alet, önceden gres doldurularak kapatılmış bir yağlama sistemi içerdiğinden saatlik veya günlük yağlama gerektirmez. Düzenli olarak yeniden yağlanmalıdır. Bu yağlama servisi için tüm aleti Makita Yetkili veya Fabrika Servis Merkezine gönderin.

## İSTEĞE BAĞLI AKSESUARLAR

**▲DİKKAT:** Bu aksesuarlar ve ek parçalar bu el kitabında belirtilen Makita aletiniz ile kullanılmak için tavsiye edilmektedir. Herhangi başka bir aksesuar ya da ek parça kullanılması insanlar için bir yaralanma riski getirebilir. Aksesuarları ya da ek parçaları yalnızca belirtilmiş olan kullanım amaçlarına uygun olarak kullanın.

Bu aksesuarlarla ilgili daha fazla bilgiye ihtiyaç duyarsanız bulunduğunuz yerdeki yetkili Makita servisine başvurun.

- Sivri keski
- Soğuk keski
- Yassı keski
- Kil küreği
- Tokmak
- Uç gresi
- Toz atma aparatı
- Koruyucu gözlük
- Çekiç taşıyıcı

**NOT:** Listedeki parçaların bazıları alet paketi içerisinde standart aksesuar olarak dahil edilmiş olabilir. Bunlar ülkeden ülkeye farklılık gösterebilir.

**Makita Europe N.V.** Jan-Baptist Vinkstraat 2,  
3070 Kortenberg, Belgium

**Makita Corporation** 3-11-8, Sumiyoshi-cho,  
Anjo, Aichi 446-8502 Japan

[www.makita.com](http://www.makita.com)

885835-995  
EN, FR, DE, IT, NL,  
ES, PT, DA, EL, TR  
20201208