

AGP®



ORIGINAL INSTRUCTIONS

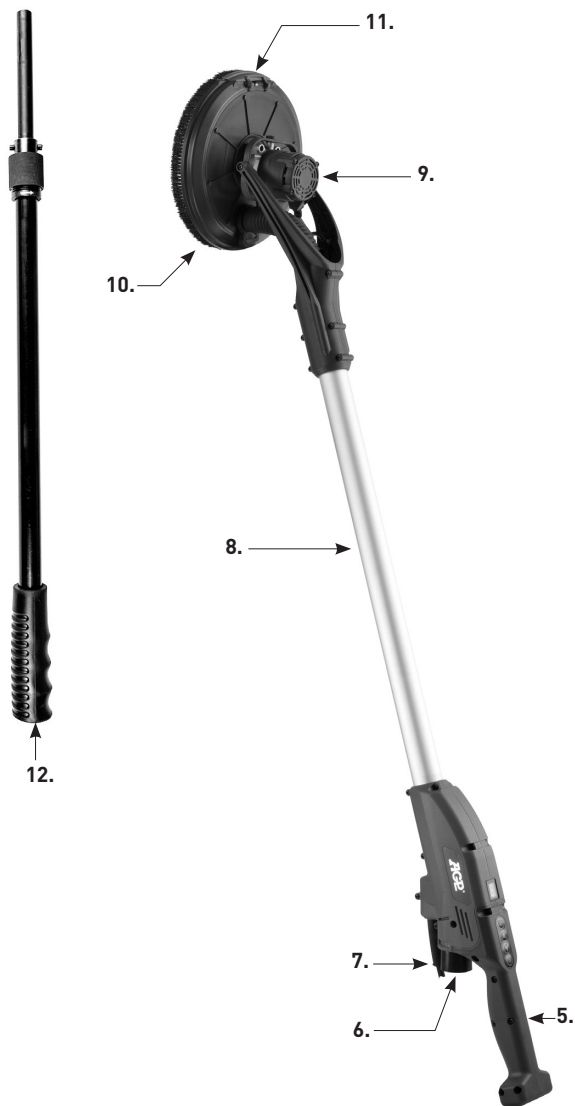
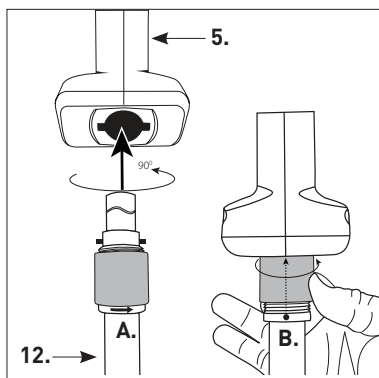
For your personal safety, **READ** and **UNDERSTAND** before using.

SAVE THESE INSTRUCTIONS FOR FUTURE REFERENCE.

CE CB

GB	Brushless Drywall Sander	Safety instructions	2
DE	Bürstenloser Trockenbauschleifer	Sicherheitshinweise	17
FR	Ponceuse pour cloison sèche sans balai	Instructions de sécurité	30
ES	Lijadora sin escobillas para paneles de yeso	Instrucciones de seguridad	43
IT	Levigatrice brushless per cartongesso	Indicazioni per la sicurezza	56
NL	Borstelloze gipsplaatschuurmachine	Veiligheidsvoorschriften	69
DA	Børsteløs gipssliper	Sikkerhedsforskrifter	82
NO	Børsteløs gipspussemaskin	Sikkerhetsinstrukser	94
SV	Borstlös gipsslipmaskin	Säkerhetsanvisningar	106

1. Power Button
2. Motor On/Off Button
3. Speed Selector Buttons
4. Indicator Screen
5. Main Handle
6. Vacuum Swivel Mount
7. Power Supply Cord
8. Column
9. Motor
10. Dust Skirt (rotatable)
11. Half-Moon Door
12. Extension Bar (Optional)



Voltage	110 V - 120 V ~50-60 Hz, 220V- 240V~ 50-60Hz
No load speed	1000 -1600 min ⁻¹
Power input	450 W
Sanding disc diameter	Ø 225 mm
Length	1.53 m
Net weight	2.8 kg (6.2 lbs.)

General Safety Rules



WARNING! Read all safety warnings and all instructions. Failure to follow the warnings and instructions may result in electric shock, fire and/or serious injury.

Save all warnings and instructions for future reference.

The term “power tool” in the warnings refers to your mains-operated (corded) power tool or battery-operated (cordless) power tool.

1. WORK AREA SAFETY

- a. **Keep work area clean and well lit.** Cluttered and dark areas invite accidents.
- b. **Do not operate power tools in explosive atmospheres, such as in the presence of flammable liquids, gases or dust.** Power tools create sparks which may ignite the dust or fumes.
- c. **Keep children and bystanders away while operating a power tool.** Distractions can cause you to lose control.
- d. **Never leave the electric power tool unattended.** Only leave the machine when the tool in use has come to a complete standstill.

2. ELECTRICAL SAFETY

- a. **Power tool plugs must match the outlet. Never modify the plug in any way. Do not use any adapter plugs with earthed (grounded) power tools.** Unmodified plugs and matching outlets will reduce risk of electric shock.
- b. **Avoid body contact with earthed or grounded surfaces, such as pipes, radiators, ranges and refrigerators.** There is an increased risk of electric shock if your body is earthed or grounded.
- c. **Do not expose power tools to rain or wet conditions.** Water entering a power tool will increase the risk of electric shock.
- d. **Do not abuse the cord. Never use the cord for carrying, pulling or unplugging the power tool. Keep cord away from heat, oil, sharp edges or moving parts.** Damaged or entangled cords increase the risk of electric shock.
- e. **When operating a power tool outdoors, use an extension cord suitable for outdoor use.** Use of a cord suitable for outdoor use reduces the risk of electric shock.
- f. **If operating a power tool in a damp location is unavoidable, use a residual current device (RCD) protected supply.** Use of an RCD reduces the risk of electric shock.

3. PERSONAL SAFETY

- a. **Stay alert, watch what you are doing and use common sense when operating a power tool. Do not use a power tool while you are tired or under the influence of drugs, alcohol or medication.** A moment of inattention while operating power tools may result in serious personal injury.
- b. **Use personal protective equipment. Always wear eye protection.** Protective equipment such as dust mask, non-skid safety shoes, hard hat, or hearing protection used for appropriate conditions will reduce personal injuries.

- c. **Prevent unintentional starting. Ensure the switch is in the off-position before connecting to power source and/or battery pack, picking up or carrying the tool.** Carrying power tools with your finger on the switch or energising power tools that have the switch on invites accidents.
- d. **Remove any adjusting key or wrench before turning the power tool on.** A wrench or a key left attached to a rotating part of the power tool may result in personal injury.
- e. **Do not overreach. Keep proper footing and balance at all times.** This enables better control of the power tool in unexpected situations.
- f. **Dress properly. Do not wear loose clothing or jewellery. Keep your hair and clothing away from moving parts.** Loose clothes, jewellery or long hair can be caught in moving parts.
- g. **If devices are provided for the connection of dust extraction and collection facilities, ensure these are connected and properly used.** Use of dust collection can reduce dust-related hazards.
- h. **Do not let familiarity gained from frequent use of tools allow you to become complacent and ignore, tool safety principles.** A careless action can cause severe injury within a fraction of a second.

4. POWER TOOL USE AND CARE

- a. **Do not force the power tool. Use the correct power tool for your application.** The correct power tool will do the job better and safer at the rate for which it was designed.
- b. **Do not use the power tool if the switch does not turn it on and off.** Any power tool that cannot be controlled with the switch is dangerous and must be repaired.
- c. **Disconnect the plug from the power source and/or battery pack from the power tool before making any adjustments, changing accessories, or storing power tools.** Such preventive safety measures reduce the risk of starting the power tool accidentally.
- d. **Store idle power tools out of the reach of children and do not allow persons unfamiliar with the power tool or these instructions to operate the power tool.** Power tools are dangerous in the hands of untrained users.
- e. **Maintain power tools. Check for misalignment or binding of moving parts, breakage of parts and any other condition that may affect the power tool's operation. If damaged, have the power tool repaired before use.** Many accidents are caused by poorly maintained power tools.
- f. **Keep cutting tools sharp and clean.** Properly maintained cutting tools with sharp cutting edges are less likely to bind and are easier to control.
- g. **Use the power tool, accessories and tool bits etc. in accordance with these instructions taking into account the working conditions and the work to be performed.** Use of the power tool for operations different from those intended could result in a hazardous situation.
- h. **Keep handles dry, clean and free of oil and grease.** Slippery handles do not allow for safe handling and control of the tool in unexpected situations. Power tools that have the switch on invites accidents.

5. SERVICE

- a. **Have your power tool serviced by a qualified repair person using only identical replacement parts.** This will ensure that the safety of the power tool is maintained.
- b. **Only use original parts for repair and maintenance.** The use of incompatible accessories or spare parts can result in electric shocks or other injuries.

Symbols used in this manual

V.....volts

A.....amperes

Hz.....hertz

W.....watt

~.....alternating current

nrated speed

min⁻¹.....revolutions or reciprocation
per minute



.....warning of general danger



.....read these instructions



.....always wear eye protection



.....always wear a dust mask.



.....always wear hearing protection



.....wear safety-approved hard hat



do not dispose of electric tools,
accessories and packaging together
with household waste material

SAFETY INSTRUCTIONS



WARNING! Read all safety warnings and all instructions. Failure to follow the warnings and instructions may result in electric shock, fire and/or serious injuries.

Save all warnings and instructions for future reference.

- **This power tool is intended to function as a sander. Read all safety warnings, instructions, illustrations and specifications provided with this power tool.** Failure to follow all instructions listed below may result in electric shock, fire and/or serious injury.
- **Operations such as grinding, wire brushing, or for polishing and cut-off are not recommended to be performed with this power tool.** Operations for which the power tool was not designed may create a hazard and cause personal injury.
- **Do not use accessories which are not specifically designed and recommended by the tool manufacturer.** Just because the accessory can be attached to your power tool, it does not assure safe operation.
- **The rated speed of the accessory must be at least equal to the maximum speed marked on the power tool.** Accessories running faster than their rated speed can break and fly apart.
- **The outside diameter and the thickness of your accessory must be within the capacity rating of your power tool.** Incorrectly sized accessories cannot be adequately guarded or controlled.
- **Threaded mounting of accessories must match the grinder spindle thread. For accessories mounted by flanges, the arbour hole of the accessory must fit the locating diameter of the flange.** Accessories that do not match the mounting hardware of the power tool will run out of balance, vibrate excessively and may cause loss of control.
- **Do not use a damaged accessory. Before each use inspect the accessory such as abrasive wheels for chips and cracks, backing pad for cracks, tear or excess wear, wire brush for loose or cracked wires. If power tool or accessory is dropped, inspect for damage or install an undamaged accessory. After inspecting and installing an accessory, position yourself and bystanders away**

from the plane of the rotating accessory and run the power tool at maximum no-load speed for one minute. Damaged accessories will normally break apart during this test time.

- **Wear personal protective equipment. Depending on application, use face shield, safety goggles or safety glasses. As appropriate, wear dust mask, hearing protectors, gloves and shop apron capable of stopping small abrasive or workpiece fragments.** The eye protection must be capable of stopping flying debris generated by various operations. The dust mask or respirator must be capable of filtering particles generated by your operation. Prolonged exposure to high intensity noise may cause hearing loss.
- **Keep bystanders a safe distance away from work area. Anyone entering the work area must wear personal protective equipment.** Fragments of workpiece or of a broken accessory may fly away and cause injury beyond immediate area of operation.
- **Hold power tool by insulated gripping surfaces only, when performing an operation where the cutting accessory may contact hidden wiring or its own cord.** Cutting accessory contacting a “live” wire may make exposed metal parts of the power tool “live” and shock the operator.
- **Position the cord clear of the spinning accessory.** If you lose control, the cord may be cut or snagged and your hand or arm may be pulled into the spinning accessory.
- **Never lay the power tool down until the accessory has come to a complete stop.** The spinning accessory may grab the surface and pull the power tool out of your control.
- **Do not run the power tool while carrying it at your side.** Accidental contact with the spinning accessory could snag your clothing, pulling the accessory into your body.
- **Regularly clean the power tool’s air vents.** The motor’s fan will draw the dust inside the housing and excessive accumulation of powdered metal may cause electrical hazards.
- **Do not operate the power tool near flammable materials.** Sparks could ignite these materials.
- **Do not use accessories that require liquid coolants.** Using water or other liquid coolants may result in electrocution or shock.

Kickback and Related Warnings:

Kickback is a sudden reaction to a pinched or snagged rotating wheel, backing pad, brush or any other accessory. Pinching or snagging causes rapid stalling of the rotating accessory which in turn causes the uncontrolled power tool to be forced in the direction opposite of the accessory’s rotation at the point of the binding. For example, if an abrasive wheel is snagged or pinched by the workpiece, the edge of the wheel that is entering into the pinch point can dig into the surface of the material causing the wheel to climb out or kick out. The wheel may either jump toward or away from the operator, depending on direction of the wheel’s movement at the point of pinching. Abrasive wheels may also break under these conditions. Kickback is the result of power tool misuse and/or incorrect operating procedures or conditions and can be avoided by taking proper precautions as given below.

- **Maintain a firm grip on the power tool and position your body and arm to allow you to resist kickback forces. Always use auxiliary handle, if provided, for maximum control over kickback or torque reaction during start-up.** The operator can control torque reactions or kickback forces, if proper precautions are taken.
- **Never place your hand near the rotating accessory.** Accessory may kickback over your hand.
- **Do not position your body in the area where power tool will move if kickback occurs.** Kickback will propel the tool in direction opposite to the wheel’s movement at the point of snagging.
- **Use special care when working corners, sharp edges etc. Avoid bouncing and snagging the accessory.** Corners, sharp edges or bouncing have a tendency to snag the rotating accessory and

cause loss of control or kickback.

- **Do not attach a saw chain woodcarving blade or toothed saw blade.** Such blades create frequent kickback and loss of control.

SPECIAL SAFETY INSTRUCTIONS FOR SANDING

Do not use excessively oversized sanding disc paper. Follow manufacturers recommendations, when selecting sanding paper. Larger sanding paper extending beyond the sanding pad presents a laceration hazard and may cause snagging, tearing of the disc or kickback.

FUNCTIONAL DESCRIPTION

This Electric Drywall Sander is specially designed for the most efficient sanding of drywall or plaster walls and ceilings for both new construction and renovation work. It is designed to work in conjunction with a vacuum cleaner for minimum dust and best sanding results. The pivoting sanding head allows excellent results with minimum time and effort.

ELECTRICAL CONNECTION

The network voltage must be within the voltage range indicated on the tool name plate. Under no circumstances should the tool be used when the power supply cable is damaged. A damaged cable must be replaced immediately by an authorized Customer Service Center. Do not try to repair the damaged cable yourself. The use of damaged power cables can lead to an electric shock.

EXTENSION CABLE

If an extension cable is required, it must have a sufficient cross-section so as to prevent an excessive drop in voltage or overheating. An excessive drop in voltage reduces the output and can lead to failure of the motor.

UNPACKING

Carefully remove the tool and all loose items from the shipping container.
Retain all packing materials until after you have inspected and satisfactorily operated the machine.

CARTON CONTENTS

1. Drywall Sanding Machine
2. Carry Bag
3. Instruction manual

DO NOT OPERATE THIS TOOL UNTIL YOU READ AND UNDERSTAND THE ENTIRE INSTRUCTION MANUAL

TO INSTALL A SANDPAPER DISC

1. Unplug the machine.
2. Peel away the worn out sandpaper disc, leaving the sponge backing pad in place.
3. Carefully center the new sandpaper disc and press into place. It will be held securely by the hook and loop backing.

CAUTION: Do not attempt to attach any accessory other than sandpaper, this may lead to damage to the machine.

CAUTION: Always take care to ensure that the sandpaper is well-centered on the backing pad, and double check to confirm that it is fully adhered. Off-center or poorly adhered sandpaper will lead to excessive vibration which could damage the machine.

NOTE: The sponge pad has 2 different hook profile types. The black side is finer hook, the white side is coarser hook. Choose the side which adheres best to your sandpaper.

TO REPLACE THE HOOK AND LOOP SPONGE PAD

The sponge pad must be perfectly flat to get good sanding results. If it is deformed or damaged it will cause very uneven sanding. Always replace it when damaged. It is hook and loop on both sides, so to Replace it, peel it away from the hook and loop on the Sanding Plate Base and, taking great care to keep it perfectly centered, affix a new one.

THE BRUSH BRISTLES ON THE EDGE OF THE SANDING PLATE COVER

The brush bristles on the edge of the Sanding Plate Cover serve two purposes, they keep the sanding disc properly aligned with the work surface without gouging and they also help the efficiency of the dust collection by the vacuum cleaner. These brush bristles will wear with continued use. The Sanding Plate Cover should be replaced when the bristles are too worn to ensure effective dust collection and stabilization of the sanding head.

TO REPLACE THE COVER, FOLLOW THESE STEPS

Hold the sanding plate in one hand and with the other, using the L-hex wrench (supplied), first break free the center bolt clockwise. Then only use the L-hex wrench to hold the center bolt from turning and spin off the sanding plate counterclockwise.

Once the sanding plate is removed, remove the 8 screws to remove the sanding plate cover from the sanding cover base.

Replacement is the opposite of removal. Entrust all repairs to an authorized service center.



Loosening the sanding plate

THE VACUUM CLEANER

Ensure that you have a bag installed in your vacuum cleaner which is approved and rated for drywall dust.

WARNING: Failure to use an approved dust bag in your vacuum will increase the level of airborne dust in the work area. Prolonged exposure to such dust may cause respiratory harm.

STARTING AND STOPPING TOOL

Make sure that the power circuit voltage is the same as that shown on the specification plate of the machine before connecting the tool to the power circuit.

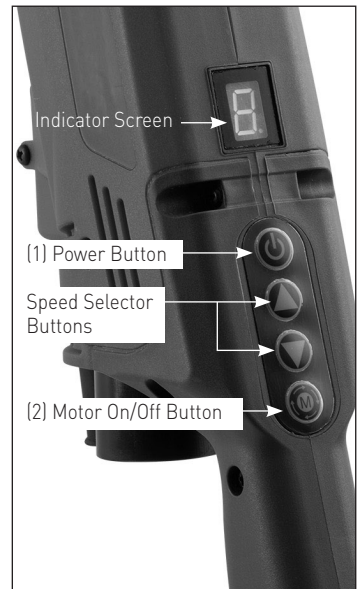
To switch on:

While holding the machine with both hands, first press the Power Button to energize the tool, then press the Motor On/Off button to start the tool. Anticipate and be ready for the start up torque when the machine first starts.

NOTE: After the motor switch is pressed, the controller synchronizes with the rotor position, and there will be a 1-2 second delay before it begins rotating. This is normal.

To switch off:

Press the Power Button. After the machine has been switched off, the sanding disc will still rotate for a time. Take care that parts of your body do not come into contact with the disc and do not set the machine down while it is still rotating!



ADJUSTING THE ROTATION SPEED

The speed of the machine is variable to suit different tasks. It can be adjusted by pressing the "Up" and "Down" Speed Selector Buttons. Press "Up" to increase the speed and "Down" to decrease the speed. The selected setting will appear on the indicator screen. Generally, you should use higher speeds for fast stock removal and lower speeds for more precise control.

THE HALF-MOON DOOR

The sanding plate cover is equipped with an openable half-moon door which will allow the operator to sand right up to the edge or into a corner. The edge of the dust skirt is also rotatable to position the opening to any desired angle.

To open, first turn off and de-energize the machine, then press the door straight down until it clicks, and it will then be free to flip up under its spring tension. Closing is the opposite of opening.

Dust collection will not be ideal while the half-moon door is opened, so the door should be closed immediately when not needed.



HOW TO USE THE TOOL

Effective control of this powerful saw requires **two-handed** operation for maximum safety and control. The proper hold is to keep one hand on the main handle and the other hand on the sponge grip on the column. It is vitally important to keep stable footing at all times, especially when standing on scaffolding or stilts.

SANDING OPERATIONS

1. Once the machine and vacuum cleaner are set up and all safety measures and equipment are in place, begin by turning on the vacuum cleaner and then the machine. (If you are using a vacuum cleaner with integrated switching, then simply turn the machine on.)
2. Begin sanding and carefully contact the work surface as lightly as possible—just enough to keep the sanding head flat against the surface.
3. The joints in the sanding head allow the sanding disc to follow the contours of the work surface.
4. The best technique is to use overlapping sweeps and keep the head in constant motion. Never stop too long in any one place or there will be swirl marks. With experience it will be very easy to create excellent results.

CAUTION: Always ensure that the work surface is fully dried before sanding. A wet or semi-wet surface will overload the motor, leading to damage to the tool.

NOTE: Ensure that the sandpaper you are using is suited to the task. Overly coarse grit paper may remove material too quickly to control. While overly fine grit paper may clog too often and not shape down the surface.

CAUTION: Take care to avoid pointed projections and nails, etc. This will wipe out the sandpaper and probably damage the sponge pad as well.

MAINTENANCE

As often as is necessary, blow compressed air through the motor while running at no load to clean out accumulated dust.

KEEP TOOL CLEAN

Periodically blow out all air passages with dry compressed air. All plastic parts should be cleaned with a soft damp cloth. NEVER use solvents to clean plastic parts. They could possibly dissolve or otherwise damage the material.

Wear safety glasses while using compressed air.

Clean the vacuum swivel connector as too much dust will keep it from turning freely.

If the replacement of the power supply cord is necessary, this has to be done by the manufacturer or their agent in order to avoid a safety hazard.

WARNING: All repairs must be entrusted to an authorized service center. Incorrectly performed repairs could lead to injury or death.

OVERLOAD and THERMAL PROTECTION

This tool will indicate that the maximum recommended load has been reached by slowing its rotation speed. If the operator continues to push the machine harder, it will stop. When the tool overheats, it will also automatically stop. **See "Error Codes" below for more information.**

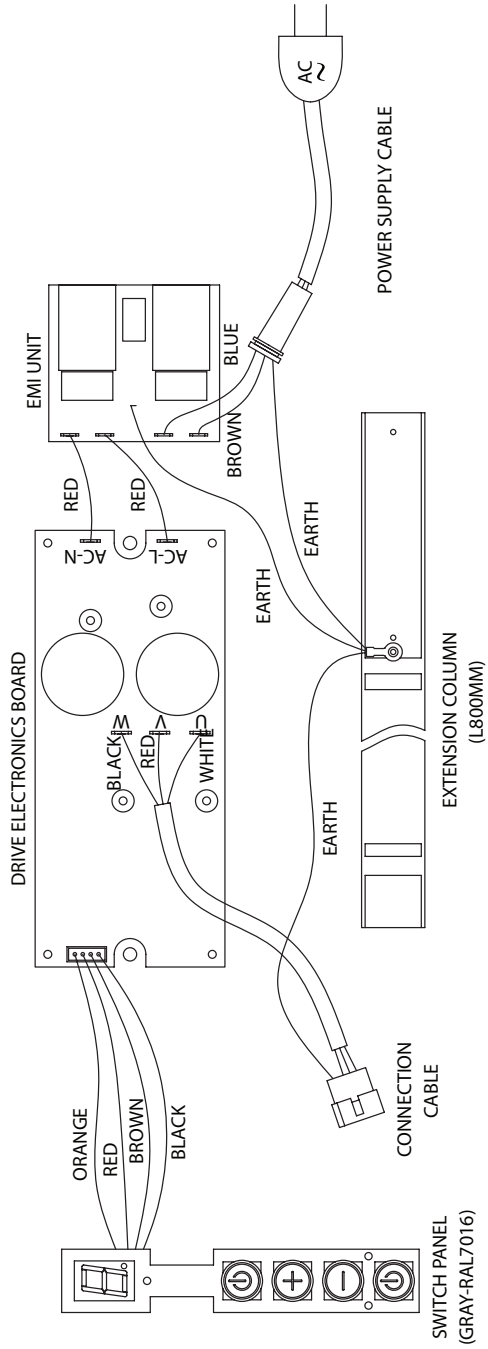
CAUTION: Whenever the tool overloads or overheats, always run at no load for a few minutes to allow it to cool before continuing work.

ERROR CODES

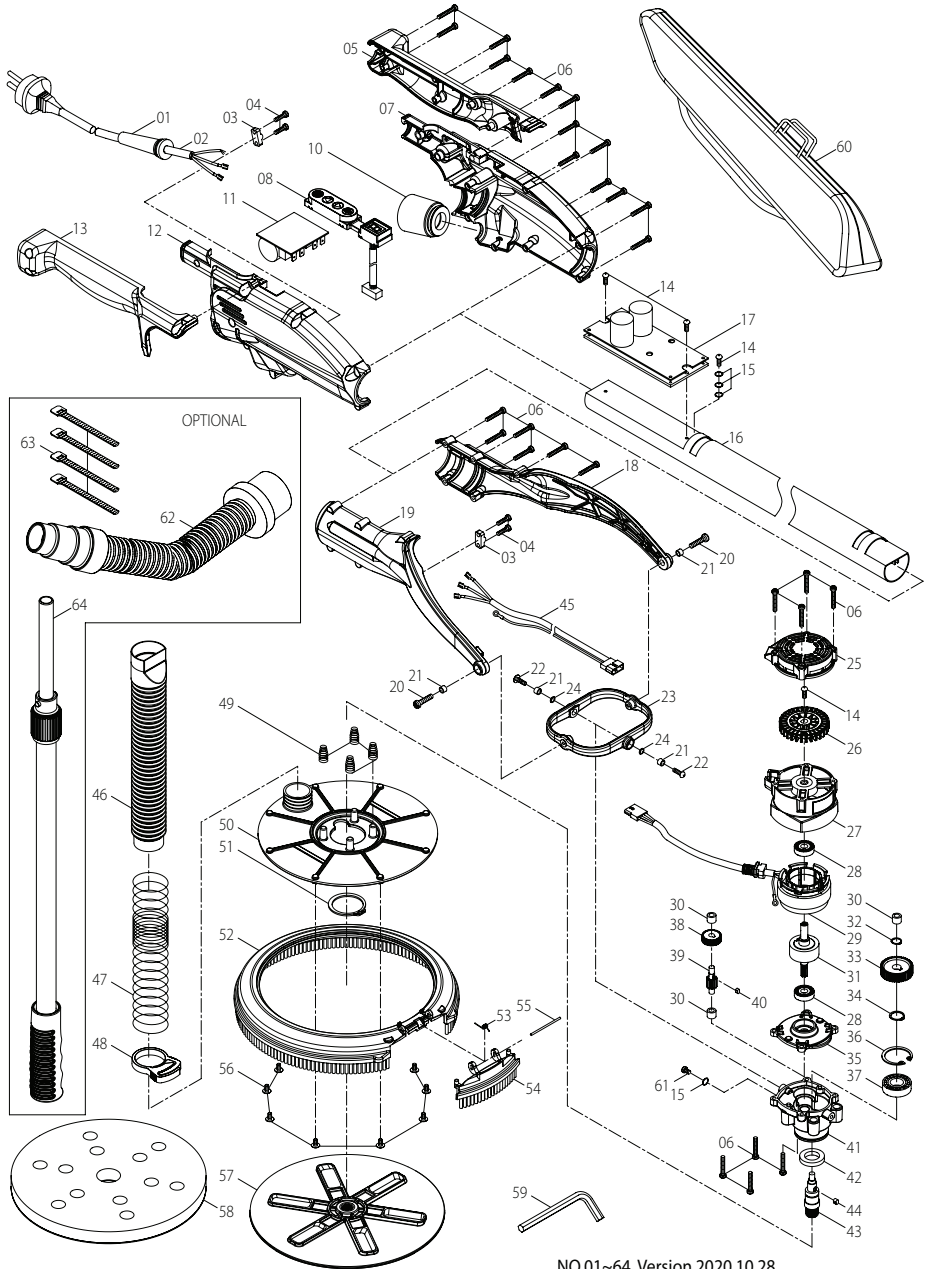
E - 1	Current overload	Press the Motor Switch once to clear the error, then press the Motor Switch once more to restart the tool
E - 2	Overheat (controller >80°C)	When the temperature drops to below 60°C, Press the Motor Switch once to clear the error, then press the Motor Switch once more to restart the tool
E - 3	Low voltage: 110V-120V input below 80V or 220V-240V input below 180V	When voltage returns to normal, Press the Motor Switch once to clear the error, then press the Motor Switch once more to restart the tool
E - 4	High voltage: 110V-120V input higher than 130V or 220V-240V input higher than 260V	When voltage returns to normal, Press the Motor Switch once to clear the error, then press the Motor Switch once more to restart the tool
E - 2 - 5	Motor blocked	Ensure that the motor is free to turn, then press the Motor Switch once to clear the error, then press the Motor Switch once more to restart the tool
E - 2 - 6	Motor cannot restart after 4 tries	Press the Motor Switch once to clear the error, then press the Motor Switch once more to restart the tool If problem persists, bring to service center for checking
E - 9 - 1	Loss of communication between the switch panel unit and the drive electronics board during operation	Drive electronics board automatically clears the signal: Press the Motor Switch once to clear the error, then press the Motor Switch once more to restart the tool If problem persists, bring to service center for checking

NOTE: The indicator screen can also display elapsed hours. See dealer for details.

WIRING



EXPLODED VIEW



NO.01~64 Version 2020.10.28

PARTS LIST

NO.	Parts Name	Q'TY	NO.	Parts Name	Q'TY
1	CORD ARMOR	1	33	OUTPUT GEAR (M0.8x39T)	1
2	POWER SUPPLY CABLE (VDE-0.75x3Cx4.2M-H05RNF)	1	34	EXTERNAL CIRCLIP (S-15)	1
3	CABLE CLIP	2	35	GEAR PLATE (SILVER)	1
4	PANHEAD TAPPING SCREW-B (M4x14)	4	36	INTERNAL CIRCLIP (R-32)	1
5	HANDLE HALF-LEFT (GRAY-RAL7016)	1	37	BALL BEARING (6002)	1
6	PANHEAD TAPPING SCREW-B (M4x25)	28	38	INPUT GEAR (M0.7x30T)	1
7	MAIN HOUSING-LEFT (RED-187C)	1	39	INPUT SHAFT (M0.8x17T)	1
8	SWITCH PANEL (GRAY-RAL7016)	1	40	PARALLEL KEY (3x3x6)	1
9	N/A	-	41	GEAR HOUSING (MATTE SILVER)	1
10	BAYONET HOSE CONNECTOR (BLACK)	1	42	OIL SEAL (Ø17xØ28x5)	1
11	EMI UNIT	1	43	SPINDLE	1
12	MAIN HOUSING-RIGHT (RED-187C)	1	44	PARALLEL KEY (4x4x6)	1
13	HANDLE HALF-RIGHT (GRAY-RAL7016)	1	45	CONNECTION CABLE	1
14	TRUSS HEAD MACHINE SCREW (M4x8xP0.7)	4	46	VACCUUM HOSE	1
15	EXTERNAL STAR WASHER (M4)	4	47	SPRING (Ø1xØ30xØ32x278Lx38T)	1
16	EXTENSION COLUMN (L800MM)	1	48	PLASTIC CLIP (BLACK)	1
17	DRIVE ELECTRONICS BOARD	1	49	SPRING (Ø0.7x6Tx20L)	4
18	SUPPORT ARM-LEFT	1	50	SANDING COVER BASE (GRAY-RAL7016)	1
19	SUPPORT ARM-RIGHT	1	51	EXTERNAL CIRCLIP (S-38)	1
20	PANHEAD TAPPING SCREW-C (M5x16)	2	52	SANDING PLATE COVER (GRAY-RAL7016)	1
21	BUSHING (Ø5xØ7x7)	4	53	TORSION SPRING	1
22	TRUSS HEAD MACHINE SCREW (M5x12xP0.8)	2	54	HALF-MOON DOOR (RED-187C)	1
23	PIVOT BRACKET (GRAY-RAL7016)	1	55	PIVOT PIN (Ø2x48)	1
24	O-RING (Ø7x2)	2	56	TRUSS HEAD TAPPING SCREW-A (M4x6)	8
25	MOTOR END CASTING (GRAY-RAL7016)	1	57	SANDING PLATE BASE (BLACK)	1
26	FAN	1	58	VELCRO SPONGE PAD (9")	1
27	MOTOR HOUSING (GRAY-RAL7016)	1	59	HEX KEY (M6)	1
28	BALL BEARING (608)	2	60	CARRY BAG (GRAY)	1
29	STATOR (60x34.8x15)	1	61	TRUSS HEAD MACHINE SCREW (M4x6xP0.7)	1
30	BUSHING (Ø6xØ10x8)	3	62	VACUUM EXTENSION HOSE (4M)(BLACK)	1
31	ROTOR	1	63	TIE STRAP	4
32	EXTERNAL CIRCLIP (S10)	1	64	EXTENSION BAR	1

Noise/vibration information

Measured in accordance with EN 60745

Model no. : SB9

Noise level: Sound pressure level(L_{pA}): 77.5 dB(A) Sound power level(L_{wA}): 88.5 dB(A) $K = 3$ dB (A)

Vibration level: $a_n = 3.3$ m/s² $K = 1.5$ m/s²

The vibration emission level has been measured in accordance with a standardised test given in EN 60745; it may be used to compare one tool with another and as a preliminary assessment of exposure to vibration when using the tool for the applications mentioned

- using the tool for different applications, or with different or poorly maintained accessories, may significantly increase the exposure level
- the times when the tool is switched off or when it is running but not actually doing the job, may significantly reduce the exposure level

protect yourself against the effects of vibration by maintaining the tool and its accessories, keeping your hands warm, and organizing your work patterns

CE Declaration of Conformity

•We declare under our sole responsibility that this product is in conformity with the following standards or standardized documents: EN 60745-1: 2009 + A11: 2010 & EN 60745-2-3: 2011 & EN 62233: 2008, EN 61000, EN 55014 in accordance with the regulations 2014/30/EU, 2006/42/EC, 2011/65/EU

•Technical file at: LEE YEONG INDUSTRIAL CO., LTD., NO.2, KEJIA RD., DOULIU CITY, YUNLIN COUNTY 64057, TAIWAN

You-Chun, Liu
Operation & Engineering

You chun Liu

Chih-Hao, Lai
Approval Manager

chih hao lai

LEE YEONG INDUSTRIAL CO., LTD.,
NO.2, KEJIA RD., DOULIU CITY, YUNLIN COUNTY 64057, TAIWAN 06.08.2020

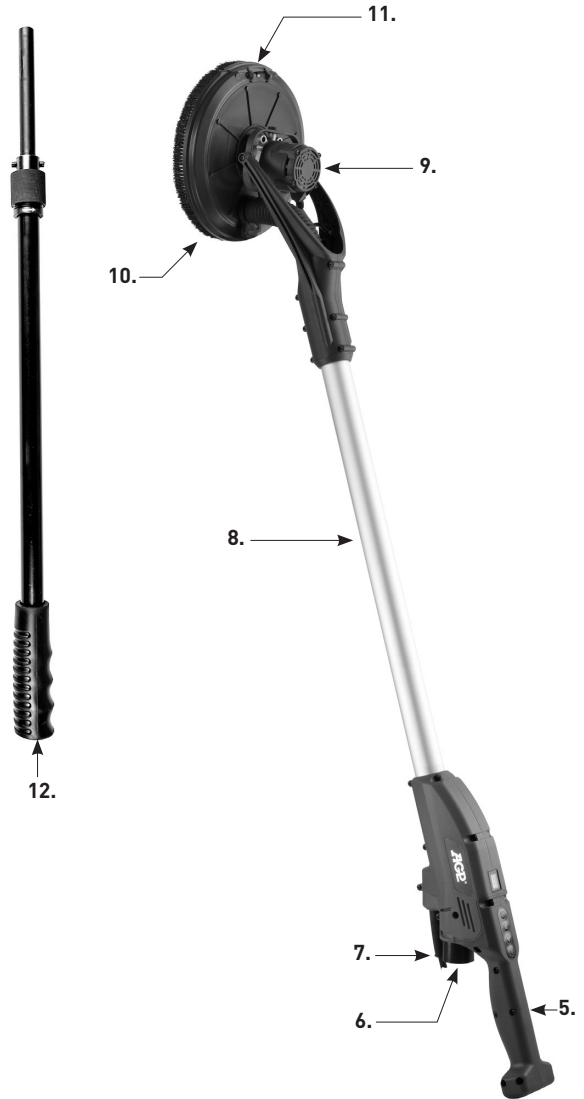
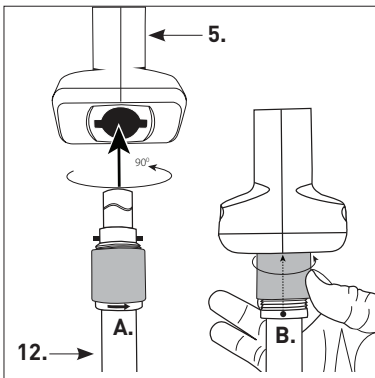
LEE YEONG INDUSTRIAL CO., LTD.

NO.2, KEJIA RD., DOULIU CITY,
YUNLIN COUNTY 64057, TAIWAN

TEL: 886-5-5518689 (REP)

Fax: 886-5-5518635

1. Betriebstaste
2. Motor-Ein/Aus-Taste
3. Drehzahlwahlstasten
4. Anzeige
5. Hauptgriff
6. Staubsauger-Schwenkhalterung
7. Netzkabel
8. Säule
9. Motor
10. Staubschürze (drehbar)
11. Aufklappbare Schleifscheibenabdeckung
12. Verlängerungsstange (optional)



Modell	SB9
Spannung	110 V - 120 V ~ 50 - 60 Hz, 220 V - 240 V ~ 50 - 60 Hz
Leerlaufdrehzahlen min ⁻¹	1 000 - 1 600
Leistungsaufnahme	450 W
Schleifscheibendurchmesser	225 mm
Länge	1,53 m
Nettogewicht	2,9 kg (6.4 lbs)

Allgemeine Sicherheitshinweise



ACHTUNG! Lesen Sie sämtliche Sicherheitshinweise und Anweisungen. Fehler bei der Einhaltung der Warnhinweise und Anweisungen können elektrischen Schlag, Brand und/oder schwere Verletzungen verursachen.

Bewahren Sie alle Sicherheitshinweise und Anweisungen für die Zukunft auf.

Der in den Sicherheitshinweisen verwendete Begriff „Elektrowerkzeug“ bezieht sich auf netzbetriebene Elektrowerkzeuge (mit Netzkabel) und auf akkubetriebene Elektrowerkzeuge (ohne Netzkabel).

1. ARBEITSPLATZSICHERHEIT

- a. **Halten Sie Ihren Arbeitsbereich sauber und aufgeräumt.** Unordnung und unbeleuchtete Arbeitsbereiche können zu Unfällen führen.
- b. **Arbeiten Sie mit dem Gerät nicht in explosionsgefährdeter Umgebung, in der sich brennbare Flüssigkeiten, Gase oder Stäube befinden.** Elektrowerkzeuge erzeugen Funken, die den Staub oder die Dämpfe entzünden können.
- c. **Halten Sie Kinder und andere Personen während der Benutzung des Elektrowerkzeugs fern.** Bei Ablenkung können Sie die Kontrolle über das Gerät verlieren.
- d. **Lassen Sie das Elektrowerkzeug nicht unbeaufsichtigt laufen.** Verlassen Sie das Elektrowerkzeug erst, wenn das Einsatzwerkzeug komplett zum Stillstand gekommen ist.

2. ELEKTRISCHE SICHERHEIT

- a. **Der Anschlussstecker des Gerätes muss in die Steckdose passen. Der Stecker darf in keiner Weise verändert werden. Verwenden Sie keine Adapterstecker gemeinsam mit geschützten Geräten.** Unveränderte Stecker und passende Steckdosen verringern das Risiko eines elektrischen Schlages.
- b. **Vermeiden Sie Körperkontakt mit geerdeten Oberflächen, wie von Rohren, Heizungen, Herden und Kühlschränken.** Es besteht ein erhöhtes Risiko durch elektrischen Schlag, wenn Ihr Körper geerdet ist.
- c. **Halten Sie das Gerät von Regen oder Nässe fern.** Das Eindringen von Wasser in ein Elektrogerät erhöht das Risiko eines elektrischen Schlages.
- d. **Zweckentfremden Sie das Kabel nicht, um das Gerät zu tragen, aufzuhängen oder um den Stecker aus der Steckdose zu ziehen. Halten Sie das Kabel fern von Hitze, Öl, scharfen Kanten oder sich bewegenden Geräteteilen.** Beschädigte oder verwickelte Kabel erhöhen das Risiko eines elektrischen Schlages.
- e. **Wenn Sie mit einem Elektrowerkzeug im Freien arbeiten, verwenden Sie nur Verlängerungskabel, die auch für den Außenbereich zugelassen sind.** Die Anwendung eines für den Außenbereich geeigneten Verlängerungskabels verringert das Risiko eines elektrischen Schlages.
- f. **Wenn der Betrieb des Elektrowerkzeuges in feuchter Umgebung nicht vermeidbar ist, verwenden**

Sie einen Fehlerstromschutzschalter. Der Einsatz eines Fehlerstromschutzschalters vermindert das Risiko eines elektrischen Schlages.

3. SICHERHEIT VON PERSONEN

- a. **Seien Sie aufmerksam, achten Sie darauf, was Sie tun, und gehen Sie mit Vernunft an die Arbeit mit einem Elektrowerkzeug. Benutzen Sie das Gerät nicht, wenn Sie müde sind oder unter dem Einfluss von Drogen, Alkohol oder Medikamenten stehen.** Ein Moment der Unachtsamkeit beim Gebrauch des Gerätes kann zu ernsthaften Verletzungen führen.
- b. **Tragen Sie persönliche Schutzausrüstung und immer eine Schutzbrille.** Das Tragen persönlicher Schutzausrüstung, wie Staubmaske, rutschfeste Sicherheitsschuhe, Schutzhelm oder Gehörschutz, je nach Art und Einsatz des Elektrowerkzeuges, verringert das Risiko von Verletzungen.
- c. **Vermeiden Sie eine unbeabsichtigte Inbetriebnahme. Vergewissern Sie sich, dass der Schalter in der Position "AUS" ist, bevor Sie den Stecker in die Steckdose stecken.** Wenn Sie beim Tragen des Geräts den Finger am Schalter haben oder das Gerät eingeschaltet an die Stromversorgung anschließen, kann dies zu Unfällen führen.
- d. **Entfernen Sie Einstellwerkzeuge oder Schraubenschlüssel, bevor Sie das Gerät einschalten.** Ein Werkzeug oder Schlüssel, der sich in einem drehenden Geräteteil befindet, kann zu Verletzungen führen.
- e. **Überschätzen Sie sich nicht. Sorgen Sie für einen sicheren Stand und halten Sie jederzeit das Gleichgewicht.** Dadurch können Sie das Gerät in unerwarteten Situationen besser kontrollieren.
- f. **Tragen Sie geeignete Kleidung. Tragen Sie keine weite Kleidung oder Schmuck. Halten Sie Haare und Kleidung fern von sich bewegenden Teilen.** Lockere Kleidung, Schmuck oder lange Haare können von sich bewegenden Teilen erfasst werden.
- g. **Wenn Staubabsaug- und -auffangeinrichtungen montiert werden können, vergewissern Sie sich, dass diese angeschlossen sind und richtig verwendet werden.** Das Verwenden dieser Einrichtungen verringert Gefährdungen durch Staub.
- h. **Lassen Sie nicht zu, dass Sie durch Gewohnheit, die durch häufigen Gebrauch der Geräte erlangt wurde, selbstzufrieden werden und die grundlegenden Sicherheitsprinzipien des Geräts mißachten.** Eine unvorsichtige Tätigkeit kann schwere Verletzung innerhalb Sekundenbruchteils verursachen.

4. SORGFÄLTIGER UMGANG UND GEBRAUCH VON ELEKTROWERKZEUGEN

- a. **Überlasten Sie das Gerät nicht. Verwenden Sie für Ihre Arbeit das dafür bestimmte Elektrowerkzeug.** Mit dem passenden Elektrowerkzeug arbeiten Sie besser und sicherer im angegebenen Leistungsbereich.
- b. **Benutzen Sie kein Elektrowerkzeug, dessen Schalter defekt ist.** Ein Elektrowerkzeug, das sich nicht mehr ein- oder ausschalten lässt, ist gefährlich und muss repariert werden.
- c. **Ziehen Sie den Stecker aus der Steckdose, bevor Sie Geräteeinstellungen vornehmen, Zubehörteile wechseln oder das Gerät weglegen.** Diese Vorsichtsmaßnahme verhindert den unbeabsichtigten Start des Geräts.
- d. **Bewahren Sie unbenutzte Elektrowerkzeuge außerhalb der Reichweite von Kindern auf. Lassen Sie**

Personen das Gerät nicht benutzen, die mit diesem nicht vertraut sind oder diese Anweisungen nicht gelesen haben. Elektrowerkzeuge sind gefährlich, wenn Sie von unerfahrenen Personen benutzt werden.

- e. Pflegen Sie das Gerät mit Sorgfalt. Kontrollieren Sie, ob bewegliche Geräteteile einwandfrei funktionieren und nicht klemmen, ob Teile gebrochen oder so beschädigt sind, dass die Funktion des Gerätes beeinträchtigt ist. Lassen Sie beschädigte Teile vor dem Einsatz des Geräts reparieren.** Viele Unfälle haben ihre Ursache in schlecht gewarteten Elektrowerkzeugen.
- f. Halten Sie Schneidwerkzeuge scharf und sauber.** Sorgfältig gepflegte Schneidwerkzeuge mit scharfen Schneidkanten verklemmen sich weniger und sind leichter zu führen.
- g. Verwenden Sie Elektrowerkzeug, Zubehör, Einsatzwerkzeuge usw. entsprechend diesen Anweisungen und so, wie es für diesen speziellen Gerätetyp vorgeschrieben ist. Berücksichtigen Sie dabei die Arbeitsbedingungen und die auszuführende Tätigkeit.** Der Gebrauch von Elektrowerkzeugen für andere als die vorgesehenen Anwendungen kann zu gefährlichen Situationen führen.
- h. Halten Sie Handgriffe trocken, sauber und frei von Öl und Fett.** Rutschige Handgriffe erlauben keine sichere Handhabung und Kontrolle des Elektrowerkzeuges in unerwarteter Situation.

5. SERVICE

- a. Lassen Sie Ihr Gerät nur von qualifiziertem Fachpersonal und nur mit Original-Ersatzteilen reparieren.** Damit wird sichergestellt, dass die Sicherheit des Geräts erhalten bleibt.
- b. Verwenden Sie für Reparatur und Wartung nur originale Teile.** Die Verwendung von nicht dafür vorgesehenem Zubehör oder Ersatzteilen kann zu elektrischem Schlag oder zu Verletzungen führen.

In dieser Betriebsanleitung verwendete Symbole

V.....Volt

A.....Ampere

Hz.....Hertz

W.....Watt

~.....Wechselstrom

n_0Nennzahl

min^{-1}Umdrehungen oder

Zykluszahl pro Minute



.....Warnung vor allgemeiner Gefahr



.....Diese Betriebsanleitung lesen



.....Stets Augenschutz tragen



.....Stets eine Atemschutzmaske tragen



..... Stets Gehörschutz tragen



..... Schutzhelm tragen



Elektrowerkzeuge, Zubehör und Verpackung dürfen nicht mit dem Hausmüll entsorgt werden.

SICHERHEITSHINWEISE



WARNUNG! Lesen Sie alle Sicherheitswarnungen und alle Anweisungen. Eine Nichtbeachtung der Warnungen und der Anweisungen kann zu elektrischen Schlägen, Feuer und/oder schweren Verletzungen führen. **Heben Sie alle Warnungen und Anweisungen für zukünftige Verwendung auf.**

- **Dieses Elektrowerkzeug ist für den Einsatz als Schleifmaschine bestimmt. Lesen Sie alle Sicherheitshinweise und Anweisungen und beachten Sie alle Abbildungen und technischen Daten, die mit diesem Elektrowerkzeug mitgeliefert wurden.** Eine Nichtbeachtung der folgenden Anweisungen kann zu elektrischen Schlägen, Feuer und/oder schweren Verletzungen führen.
- **Es wird nicht empfohlen, mit diesem Elektrowerkzeug Arbeiten wie Trennschleifen, Bürsten, Polieren oder Schneiden auszuführen.** Arbeiten, für die dieses Elektrowerkzeug nicht ausgelegt ist, können eine Gefahr darstellen und zu Verletzungen führen.
- **Verwenden Sie kein Zubehör, das nicht vom Werkzeughersteller speziell entwickelt und empfohlen wurde.** Die Tatsache allein, dass das Zubehör an Ihrem Elektrowerkzeug angebracht werden kann, bedeutet noch nicht, dass es sicher in der Bedienung ist.
- **Die Nenndrehzahl des Zubehörs muss mindestens gleich der auf dem Elektrowerkzeug angegebenen maximalen Drehzahl sein.** Zubehör, das schneller als seine Nenndrehzahl läuft, kann brechen und auseinander fliegen.
- **Der äußere Durchmesser und die Dicke des Zubehörs müssen innerhalb der zulässigen Kapazität des Elektrowerkzeugs liegen.** Zubehör falscher Größe kann nicht ausreichend gesichert oder gesteuert werden.
- **Zubehör mit Gewindefestigung muss mit dem Spindelgewinde übereinstimmen. Bei Zubehör, das mit Flanschen montiert wird, muss die Dornbohrung des Zubehörs mit dem Zentrierstiftdurchmesser des Flansches übereinstimmen.** Zubehörteile, deren Dornbohrungen nicht mit den Befestigungsteilen des Elektrowerkzeugs übereinstimmen, laufen mit einer Unwucht, vibrieren übermäßig und können zum Verlust der Kontrolle über das Werkzeug führen.
- **Verwenden Sie kein beschädigtes Zubehör. Prüfen Sie das Zubehör vor jedem Gebrauch: Schleifscheiben auf Splitter und Risse, Stützteller auf Risse oder übermäßigen Verschleiß, Drahtbürsten auf lose oder gebrochene Drähte. Wenn das Elektrowerkzeug oder Zubehör fallengelassen wurde, untersuchen Sie es auf Schäden oder bauen Sie unbeschädigtes Zubehör an. Nach dem Prüfen und Installieren eines Zubehörteils, positionieren Sie sich und andere Personen von der Ebene des rotierenden Zubehörs entfernt und lassen Sie das Elektrowerkzeug bei maximaler Leerlaufdrehzahl für eine Minute laufen.** Beschädigtes Zubehör würde in der Regel während dieser Testzeit auseinanderbrechen.
- **Tragen Sie Personenschutz ausrüstung. Tragen Sie je nach Anwendung Gesichtsschutz, Schutzbrille mit Seitenschutz oder eine einfache Schutzbrille. Tragen Sie gegebenenfalls eine Staubschutzmaske, einen Gehörschutz, Handschuhe oder eine Arbeitsschürze, die kleinen Abriebteilchen oder Werkstückfragmenten standhalten kann.** Der Augenschutz muss in der Lage sein, umherfliegende Teile, die durch verschiedene Arbeiten erzeugt werden, aufzuhalten. Die Staubmaske oder Atemschutzmaske muss in der Lage sein, Staubteilchen, die bei der Arbeit erzeugt werden, auszufiltern. Eine längere Exposition gegenüber Lärm hoher Intensität kann Hörschäden verursachen.
- **Andere Personen müssen sich in sicherer Entfernung vom Arbeitsbereich aufhalten. Jede Person, die in den Arbeitsbereich eintritt, muss Personenschutz ausrüstung tragen.** Fragmente des Werkstücks oder abgebrochene Zubehörteile können über die unmittelbare Umgebung des

Arbeitsbereichs heraus herumfliegen und Verletzungen verursachen.

- **Halten Sie die Maschine an den isolierten Griffflächen, wenn Sie Arbeiten ausführen, bei denen das Schneidwerkzeug verborgene Stromleitungen oder das eigene Netzkabel treffen kann.** Der Kontakt mit einer spannungsführenden Leitung kann auch metallene Maschinenteile unter Spannung setzen und zu einem elektrischen Schlag führen.
- **Positionieren Sie das Netzkabel weit entfernt von sich drehenden Zubehörteilen.** Wenn Sie die Kontrolle verlieren, kann das Kabel zerschnitten werden oder sich verwickeln und Ihre Hand oder Ihren Arm in das sich drehende Zubehör ziehen.
- **Legen Sie das Werkzeug niemals ab, bis das Zubehör zum Stillstand gekommen ist.** Das sich drehende Zubehör kann die Oberfläche greifen und das Elektrowerkzeug außerhalb Ihrer Kontrolle ziehen.
- **Lassen Sie das Elektrowerkzeug niemals laufen, wenn Sie es neben sich tragen.** Versehentlicher Kontakt Ihrer Kleidung mit dem sich drehenden Zubehör könnte dazu führen, dass das Werkzeug an Ihren Körper gezogen wird.
- **Reinigen Sie regelmäßig die Lüftungsschlitze des Elektrowerkzeugs.** Der Lüfter des Motors zieht den Staub ins Innere des Gehäuses, und eine übermäßige Ablagerung von pulverisiertem Metall kann zu elektrischen Gefahren führen.
- **Betreiben Sie das Elektrowerkzeug nicht in der Nähe brennbarer Materialien.** Funken könnten diese Materialien entzünden.
- **Verwenden Sie kein Zubehör, das flüssige Kühlmittel erfordert.** Die Verwendung von Wasser oder anderen flüssigen Kühlmitteln kann zu einem Stromschlag führen.

Rückschlag und zugehörige Warnhinweise

Der Rückschlag ist eine plötzliche Reaktion des Werkzeugs, wenn sich eine Scheibe, ein Stützteller, eine Bürste oder ein anderes sich drehendes Zubehör verklemmt oder verhakt. Das Verklemmen oder Hängenbleiben führt zu einem schnellen Abwürgen des rotierenden Zubehörs, was wiederum bewirkt, dass die unkontrollierte Energie des Werkzeugs in die entgegengesetzte Richtung der Drehrichtung des Zubehörteils in diesem Moment wirkt. Wenn zum Beispiel eine Schleifscheibe sich verhakt oder vom Werkstück eingeklemmt wird, kann die Kante der Scheibe sich am Ort der Verklammerung in die Oberfläche des Materials eingraben, wodurch die Scheibe herausgedrückt oder ausgeschleudert wird. Die Scheibe kann entweder zum Bediener hin oder von ihm weg springen – je nach Drehrichtung der Scheibe am Ort der Verklammerung. Schleifscheiben können unter diesen Bedingungen auch brechen. Rückschlag ist das Ergebnis von Missbrauch und/oder falscher Bedienung oder falschen Einsatzbedingungen des Elektrowerkzeugs und kann mit entsprechenden Vorsichtsmaßnahmen, wie sie im Folgenden dargelegt sind, vermieden werden.

- **Halten Sie das Elektrowerkzeug stets richtig fest und positionieren Sie Ihren Körper und Ihren Arm in einer Weise, die es Ihnen ermöglicht, Rückschlagkräften zu widerstehen. Verwenden Sie stets den Zusatzhandgriff, wenn vorhanden, um die maximale Kontrolle über Rückschlag- oder Drehmomentkräfte bei der Inbetriebnahme zu haben.** Wenn die entsprechenden Vorsichtsmaßnahmen getroffen werden, kann der Bediener die Drehmoment- oder Rückschlagkräfte kontrollieren.
- **Halten Sie niemals Ihre Hand in die Nähe der rotierenden Zubehörteile.** Das Zubehörteil kann durch Rückschlag auf Ihre Hand treffen.
- **Positionieren Sie Ihren Körper nicht in dem Bereich, in den das Elektrowerkzeug im Falle eines Rückschlags gelangt.** Ein Rückschlag wird das Werkzeug in die entgegengesetzte Richtung der

Drehrichtung der Scheibe am Punkt der Verklebung katapultieren.

- **Gehen Sie besonders vorsichtig bei der Arbeit an Ecken, scharfen Kanten etc. vor. Vermeiden Sie, dass das Zubehörteil springt oder sich verklemmt.** An Ecken, scharfen Kanten oder beim Springen des Zubehörteils besteht eher die Gefahr einer Verklebung des sich drehenden Zubehörteils, was zu Verlust der Kontrolle oder Rückschlag führt.
- **Bringen Sie keine Sägekette, kein Holzsägeblatt oder ein anderes gezahntes Blatt an dem Werkzeug an.** Solche Blätter führen häufiger zu Rückschlag und Verlust der Kontrolle

Spezielle Sicherheitshinweise für das Schleifen

Verwenden Sie kein übermäßig übergroßes Schleifpapier. Befolgen Sie bei der Auswahl des Schleifpapiers die Empfehlungen des Herstellers. Größeres Schleifpapier, das über das Schleifkissen hinausragt, stellt eine Verletzungsgefahr dar und kann zum Verkleben, Reißen der Scheibe oder zum einem Rückschlag führen.

FUNKTIONSBESCHREIBUNG

Dieser elektrische Trockenbauschleifer ist speziell für das effiziente Schleifen von Trockenbau- oder Gipswänden und -decken bei Neubau- und Renovierungsarbeiten vorgesehen. Er ist für den Einsatz in Verbindung mit einem Staubsauger für minimale Staubbelastung und beste Schleifergebnisse konzipiert. Der schwenkbare Schleifkopf ermöglicht hervorragende Ergebnisse mit minimalem Aufwand.

ELEKTROANSCHLUSS

Die Netzspannung muss innerhalb der Spannungsangabe auf dem Typenschild des Werkzeugs liegen. Das Werkzeug darf unter keinen Umständen verwendet werden, wenn das Netzkabel beschädigt ist. Ein beschädigtes Kabel muss sofort durch ein autorisiertes Kundendienstzentrum ersetzt werden. Versuchen Sie nicht, das beschädigte Kabel selbst zu reparieren. Die Verwendung von beschädigten Netzkabeln kann zu einem elektrischen Schlag führen.

VERLÄNGERUNGSKABEL

Wenn ein Verlängerungskabel erforderlich ist, muss es über einen ausreichenden Querschnitt verfügen, um übermäßigen Spannungsabfall oder Überhitzung zu vermeiden. Ein übermäßiger Spannungsabfall reduziert die Leistung und kann zum Ausfall des Motors führen.

AUSPACKEN

Nehmen Sie das Werkzeug und alle losen Teile vorsichtig aus der Verpackung. Bewahren Sie alles Verpackungsmaterial auf, bis Sie die Maschine überprüft und ihre Funktion zu Ihrer Zufriedenheit getestet haben.

KARTONINHALT

1. Trockenbauschleifer
2. Tragetasche
3. Betriebsanleitung

BETREIBEN SIE DIESES WERKZEUG NICHT, BEVOR SIE DIE GESAMTE BETRIEBSANLEITUNG SORGFÄLTIG GELESEN UND VERSTANDEN HABEN.

ANBAU EINER SCHLEIFPAPIERSCHEIBE

1. Trennen Sie die Maschine vom Netz.
2. Ziehen Sie die abgenutzte Schleifpapierscheibe ab, lassen aber die Schwammscheibe angebaut.
3. Richten Sie die neue Schleifpapierscheibe sorgfältig mittig aus und drücken Sie sie fest. Sie wird durch die Kletthaftung sicher gehalten.

ACHTUNG: Versuchen Sie nicht, anderes Zubehör als Schleifpapier anzubringen, da dies die Maschine beschädigen kann.

ACHTUNG: Achten Sie immer darauf, dass das Schleifpapier genau mittig auf dem Stützteller angebracht ist, und vergewissern Sie sich, dass es richtig haftet. Nicht mittig angebrachtes oder schlecht haftendes Schleifpapier führt zu übermäßigen Vibrationen, die die Maschine beschädigen könnten.

WECHSELN DER KLETT-SCHWAMMSCHEIBE

Die Schwammscheibe muss vollkommen flach sein, um gute Schleifergebnisse zu erzielen. Wenn sie verformt oder beschädigt ist, führt dies zu ungleichmäßigem Schleifen. Wechseln Sie sie stets aus, wenn sie beschädigt ist. Sie ist auf beiden Seiten mit Kletthaftung versehen. Ziehen Sie sie also zum Wechseln vom Stützteller ab, und befestigen Sie eine neue, indem Sie diese sorgfältig perfekt zentrieren.

DIE BORSTEN AM RAND DER SCHLEIFSCHLEIBENABDECKUNG

Die Borsten am Rand der Schleifscheibenabdeckung dienen zwei Zwecken: Sie halten die Schleifscheibe richtig mit der Arbeitsfläche ausgerichtet und unterstützen die Entstaubung durch den Staubsauger. Diese Borsten verschleifen mit anhaltendem Gebrauch.

Die Schleifscheibenabdeckung sollte ersetzt werden, wenn die Borsten zu stark abgenutzt sind, um eine effektive Entstaubung und Stabilisierung des Schleifkopfes zu gewährleisten.

ZUM ERSETZEN DER ABDECKUNG GEHEN SIE WIE FOLGT VOR

Halten Sie die Schleifscheibe mit einer Hand fest und lockern Sie mit der anderen und dem L-Inbusschlüssel (im Lieferumfang enthalten) die Mittelschraube, indem Sie sie im Uhrzeigersinn drehen. Halten Sie dann die Mittelschraube mit dem L-Inbusschlüssel fest und drehen Sie die Schleifscheibe gegen den Uhrzeigersinn ab.

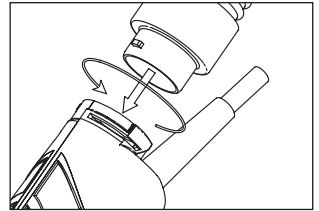
Nachdem Sie die Schleifscheibe abgebaut haben, entfernen Sie die 8 Schrauben, um die Abdeckung der Schleifscheibe vom Stützteller zu entfernen. Den Anbau erfolgt in umgekehrter Reihenfolge des Abbaus. Lassen Sie alle Reparaturen von einem autorisierten Service Center durchführen.



Lösen der Schleifscheibe

ANBAU DES STAUBSAUGERSCHLAUCHS

1. Trennen Sie die Maschine vom Netz.
2. Stecken Sie den Bajonettanschluss des Staubsaugerschlauchs in die Schwenkhalterung auf der Rückseite der Maschine. Sobald die Zapfen des Bajonettanschlusses vollständig in die Schlitze eingeschoben sind, halten Sie die Schwenkhalterung fest und drehen Sie den Bajonettanschluss zum Verriegeln im Uhrzeigersinn.
3. Der Abbau erfolgt in umgekehrter Reihenfolge.



DER STAUBSAUGER

Stellen Sie sicher, dass Sie einen Staubsaugerbeutel in Ihrem Staubsauger verwenden, der für Trockenbaustaub zugelassen ist.

WARNUNG: Wenn Sie keinen zugelassenen Staubbeutel in Ihrem Staubsauger verwenden, erhöht sich der Staubanteil in der Luft im Arbeitsbereich. Eine längere Exposition gegenüber solchem Staub kann die Atemwege schädigen.

STARTEN UND STOPPEN DES WERKZEUGS

Stellen Sie sicher, dass die Netzspannung mit der auf dem Typenschild der Maschine angegebenen übereinstimmt, bevor Sie die Maschine an die Stromversorgung anschließen.

Ein-und Ausschalten der Maschine

Einschalten:

Halten Sie die Maschine mit beiden Händen und drücken Sie zuerst die Betriebstaste, um das Werkzeug mit Strom zu versorgen, und dann die Motor-Ein/Aus-Taste, um das Werkzeug zu starten. Seien Sie beim ersten Start der Maschine auf das Anlaufdrehmoment vorbereitet.

HINWEIS: Nach dem Drücken des Motorschalters synchronisiert sich das Steuergerät mit der Position des Drehkörpers, und es tritt eine 1- bis 2-sekündige Verzögerung ein, bevor der Drehvorgang beginnt. Das ist normal.

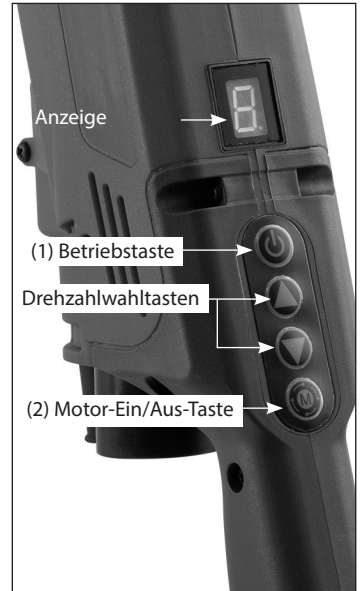
Ausschalten:

Drücken Sie die Betriebstaste. Nachdem die Maschine ausgeschaltet wurde, dreht sich die Schleifscheibe noch für einige Zeit. Achten Sie darauf, dass die Scheibe nicht mit Ihrem Körper in Kontakt kommt und setzen Sie die Maschine nicht ab, während sie sich noch dreht!

EINSTELLEN DER DREHZAHL

Die Drehzahl der Maschine ist variabel, um verschiedene Arbeiten durchführen zu können. Sie kann in Schritten von 80/min von 780/min bis 1250/min eingestellt werden, indem Sie die Drehzahlwahltasten „Auf“ und „Ab“ drücken. Drücken Sie „Auf“, um die Drehzahl zu erhöhen, und „Ab“, um die Drehzahl zu verringern. Die ausgewählte Einstellung wird auf der Anzeige angezeigt.

Im Allgemeinen sollten Sie höhere Drehzahlen für schnelles Abschleifen und niedrigere Drehzahlen für eine präzisere Kontrolle des Werkzeugs verwenden.

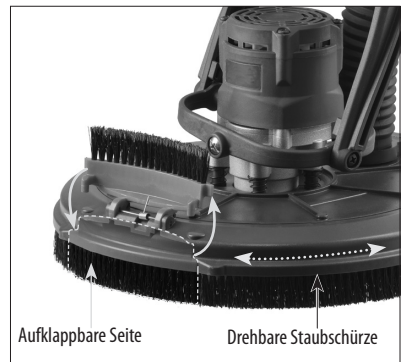


AUFKLAPPBARE SEITE DER SCHLEIFSCHEIBENABDECKUNG

Die Schleifscheibenabdeckung ist mit einer aufklappbaren Seite ausgestattet, wodurch der Bediener auch Kanten oder Ecken bearbeiten kann. Die Kante der Staubschürze ist auch drehbar, um die aufklappbare Seite in einem beliebigen Winkel positionieren zu können.

Zum Öffnen schalten Sie zuerst die Maschine aus und trennen Sie sie von der Stromversorgung. Drücken Sie dann die aufklappbare Seite nach unten, bis es klickt. Danach klappt sie durch ihre Federspannung nach oben. Das Einklappen erfolgt in umgekehrter Reihenfolge.

Die Staubabsaugung ist nicht ideal, wenn die Seite aufgeklappt ist. Daher sollte sie sofort wieder eingeklappt werden, wenn sie nicht mehr sein muss.



DIE VERWENDUNG DES WERKZEUGS

Dieses leistungsstarke Schleifgerät erfordert eine Zweihandbedienung für maximale Sicherheit und Kontrolle. Richtiges Halten bedeutet mit einer Hand am Hauptgriff und mit der anderen Hand an der Grifffläche am Stiel.

Sicherer Stand ist äußerst wichtig, besonders auf Gerüsten oder Pfosten.

DAS SCHLEIFEN

1. Sobald die Maschine und der Staubsauger eingerichtet sind und alle Sicherheitsvorkehrungen getroffen wurden, schalten Sie zuerst den Staubsauger und dann die Maschine ein. (Wenn Sie einen Staubsauger mit integrierter Schaltfunktion benutzen, schalten Sie einfach nur die Maschine ein.)
2. Beginnen Sie mit dem Schleifen, indem Sie die Arbeitsfläche so sanft wie möglich berühren – gerade stark genug, um den Schleifkopf flach auf der Oberfläche zu halten.
3. Die Gelenke im Schleifkopf ermöglichen es der Schleifscheibe, den Konturen der Arbeitsfläche zu folgen.
4. Die beste Technik ist es, überlappende Bereiche zu schleifen und den Kopf ständig in Bewegung zu halten. Halten Sie nie zu lange an einer Stelle an, da sonst Kringspuren auftreten. Mit etwas Erfahrung ist es sehr einfach, gute Ergebnisse zu erzielen.

ACHTUNG: Stellen Sie stets sicher, dass die Arbeitsfläche vor dem Schleifen vollständig getrocknet ist. Ein nasse oder feuchte Oberfläche führt zu Überlastung des Motors und Schäden am Werkzeug.

HINWEIS: Stellen Sie sicher, dass das Schleifpapier, das Sie verwenden, für die Arbeit geeignet ist. Allzu grobes Papier kann das Material zu schnell entfernen, sodass Sie es nicht kontrollieren können. Zu feines Papier kann zu häufig verstopfen und die Oberfläche nicht richtig abschleifen.

ACHTUNG: Achten Sie darauf, Spitzen und Nägel etc. nicht zu berühren. Diese würden das Schleifpapier zerstören und wahrscheinlich auch die Schwammscheibe.

WARTUNG

Blasen Sie so oft wie nötig Druckluft durch den Motor, während er im Leerlauf läuft, um angesammelten Staub zu entfernen.

DIE REINIGUNG DES WERKZEUGS

Blasen Sie in regelmäßigen Abständen alle Luftkanäle mit trockener Druckluft durch. Alle Kunststoffteile sollten mit einem weichen, feuchten Tuch gereinigt werden. Verwenden Sie NIEMALS Lösungsmittel zur Reinigung der Kunststoffteile. Sie könnten das Material auflösen oder auf andere Weise beschädigen.

Tragen Sie bei der Arbeit mit Druckluft eine Schutzbrille.

Reinigen Sie den Staubsauger-Schwenkanschluss, da zu viel Staub dazu führt, dass er sich nicht leicht drehen lässt.

Wenn der Austausch des Netzkabels erforderlich ist, hat dies durch den Hersteller oder dessen Vertreter zu erfolgen, um ein Sicherheitsrisiko zu vermeiden.

WARNUNG: Alle Reparaturen müssen von einem autorisierten Service-Center ausgeführt werden.

Inkorrekt durchgeführte Reparaturen können zu Verletzungen oder zum Tod führen.

ÜBERLASTUNGS- und ÜBERHITZUNGSSCHUTZ

Dieses Werkzeug zeigt an, dass die maximal empfohlene Last erreicht wurde, indem es die Drehgeschwindigkeit verringert. Wenn der Bediener die Maschine weiterhin stärker belastet, schaltet sich die Maschine aus. Wenn das Werkzeug überhitzt, schaltet es sich ebenfalls automatisch aus. **Für weitere Informationen beachten Sie bitte die nachstehenden „Fehlercodes“.**

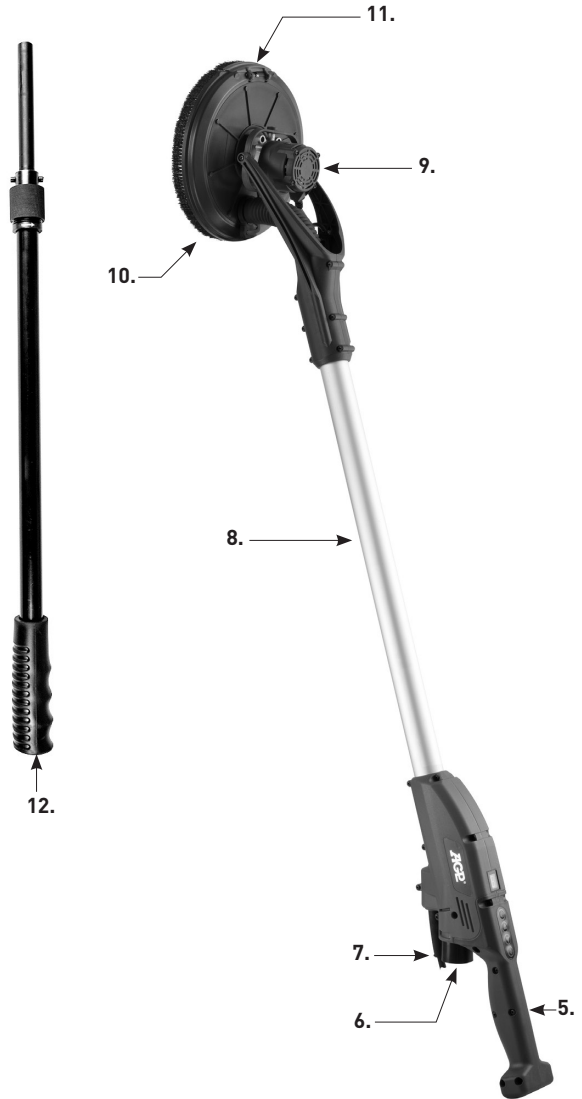
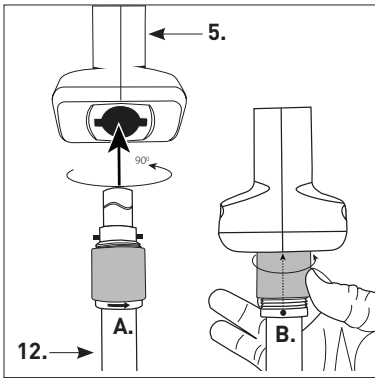
ACHTUNG: Wenn das Werkzeug überlastet wird oder überhitzt, lassen Sie es immer zunächst einige Minuten im Leerlauf laufen, damit es sich abkühlt, bevor Sie wieder die Arbeit aufnehmen.

FEHLERCODES

E - 1	Überlaststrom	Betätigen Sie den Motorschalter einmal, um den Fehler zu beheben, und dann noch ein zweites Mal, um das Werkzeug neu zu starten.
E - 2	Überhitzung (Steuergerät erhitzt auf >80 °C)	Wenn die Temperatur auf unter 60 °C fällt, betätigen Sie den Motorschalter einmal, um den Fehler zu beheben, und dann noch ein zweites Mal, um das Werkzeug neu zu starten.
E - 3	Niedrige Spannung: 110 V-120 V: Eingangsspannung unter 80 V; 220 V-240 V: Eingangsspannung unter 180 V	Wenn die Spannung wieder den Normalwert erreicht, betätigen Sie den Motorschalter einmal, um den Fehler zu beheben, und dann noch ein zweites Mal, um das Werkzeug neu zu starten.
E - 4	Überspannung: 110 V-120 V: Eingangsspannung über 130 V; 220 V-240 V: Eingangsspannung über 260 V	Wenn die Spannung wieder den Normalwert erreicht, betätigen Sie den Motorschalter einmal, um den Fehler zu beheben, und dann noch ein zweites Mal, um das Werkzeug neu zu starten.
E - 2 - 5	Motorblockade	Vergewissern Sie sich, dass der Motor frei drehen kann. Betätigen Sie den Motorschalter anschließend einmal, um den Fehler zu beheben, und dann noch ein zweites Mal, um das Werkzeug neu zu starten.
E - 2 - 6	Motor startet auch beim vierten Versuch nicht	Betätigen Sie den Motorschalter einmal, um den Fehler zu beheben, und dann noch ein zweites Mal, um das Werkzeug neu zu starten. Falls das Problem fortbesteht, bringen Sie das Werkzeug zu einem Service Center, um es überprüfen zu lassen.
E - 9 - 1	Verlust der Kommunikation zwischen Bedieneinheit und der Elektronikplatine des Antriebs während des Betriebs	Die Elektronikplatine löscht das Signal automatisch: Betätigen Sie den Motorschalter einmal, um den Fehler zu beheben, und dann noch ein zweites Mal, um das Werkzeug neu zu starten. Falls das Problem fortbesteht, bringen Sie das Werkzeug zu einem Service Center, um es überprüfen zu lassen.

HINWEIS: Die Anzeige kann auch die vergangenen Stunden wiedergeben. Näheres hierzu erfahren Sie von Ihrem Fachhändler.

1. Bouton d'alimentation
2. Bouton de mise en marche/arrêt du moteur
3. Boutons de sélection de la vitesse
4. Écran indicateur
5. Poignée principale
6. Raccord orientable pour aspirateur
7. Câble d'alimentation
8. Colonne
9. Moteur
10. Jupe de protection anti-poussière (pivotante)
11. Volet en demi-lune
12. Barre d'extension (en option)



Modèle	SB9
Tension	110 V - 120 V ~ 50 - 60 Hz, 220 V - 240 V ~ 50 - 60 Hz
À vide min ⁻¹	1 000 - 1 600
Puissance d'entrée	450 W
Diamètre du disque à poncer	225 mm
Longueur	1,53 m
Poids net	2,9 kg (6,4 lb.)

INDICATIONS GÉNÉRALES DE SÉCURITÉ



ATTENTION ! Lire toutes les consignes de sécurité et indications. Le non-respect des avertissements et instructions indiqués ciaprès peut entraîner un choc électrique, un incendie et/ou de graves blessures.

Conserver tous les avertissements et toutes les instructions pour pouvoir s'y reporter ultérieurement.

Le terme « outil » dans les avertissements fait référence à votre outil électrique alimenté par le secteur (avec cordon d'alimentation) ou votre outil fonctionnant sur batterie (sans cordon d'alimentation).

1. PLACE DE TRAVAIL

- a. **Maintenez l'endroit de travail propre et bien éclairé.** Un lieu de travail en désordre ou mal éclairé augmente le risque d'accidents.
- b. **N'utilisez pas l'appareil dans un environnement présentant des risques d'explosion et où se trouvent des liquides, des gaz ou poussières inflammables.** Les outils électroportatifs génèrent des étincelles risquant d'enflammer les poussières ou les vapeurs.
- c. **Tenez les enfants et autres personnes éloignés durant l'utilisation de l'outil électroportatif.** En cas d'inattention vous risquez de perdre le contrôle sur l'appareil.
- d. **Ne laissez pas l'outil électrique fonctionner sans surveillance.** Ne vous éloignez de l'outil électrique que lorsque l'accessoire est complètement immobilisé.

2. SÉCURITÉ RELATIVE AU SYSTÈME ÉLECTRIQUE

- a. **La fiche de secteur de l'outil électroportatif doit être appropriée à la prise de courant. Ne modifiez en aucun cas la fiche. N'utilisez pas de fiches d'adaptateur avec des appareils avec mise à la terre.** Les fiches non modifiées et les prises de courant appropriées réduisent le risque de choc électrique.
- b. **Évitez le contact physique avec des surfaces mises à la terre tels que tuyaux, radiateurs, fours et réfrigérateurs.** Il y a un risque élevé de choc électrique au cas où votre corps serait relié à la terre.
- c. **N'exposez pas l'outil électroportatif à la pluie ou à l'humidité.** La pénétration d'eau dans un outil électroportatif augmente le risque d'un choc électrique.
- d. **N'utilisez pas le câble à d'autres fins que celles prévues, n'utilisez pas le câble pour porter l'appareil ou pour l'accrocher ou encore pour le débrancher de la prise de courant. Maintenez le câble éloigné des sources de chaleur, des parties grasses, des bords tranchants ou des parties de l'appareil en rotation.** Un câble endommagé ou torsadé augmente le risque d'un choc électrique.
- e. **Au cas où vous utiliseriez l'outil électroportatif à l'extérieur, utilisez une rallonge autorisée homologuée pour les applications extérieures.** L'utilisation d'une rallonge électrique homologuée pour les applications extérieures réduit le risque d'un choc électrique.
- f. **Si l'usage d'un outil dans un emplacement humide est inévitable, utiliser une alimentation protégée par un dispositif à courant différentiel résiduel (RCD).** L'usage d'un RCD réduit le risque de choc électrique.

3. SÉCURITÉ DES PERSONNES

- a. **Restez vigilant, surveillez ce que vous faites. Faites preuve de bon en utilisant l'outil électroportatif. N'utilisez pas l'appareil lorsque vous êtes fatigué ou après avoir consommé de l'alcool, des drogues ou avoir pris des médicaments.** Un moment d'inattention lors de l'utilisation de l'appareil peut entraîner de graves blessures sur les personnes.
- b. **Portez des équipements de protection. Portez toujours des lunettes de protection.** Le fait de porter des équipements de protection personnels tels que masque anti-poussières, chaussures de sécurité antidérapantes, casque de protection ou protection acoustique suivant le travail à effectuer, réduit le risque de blessures.
- c. **Évitez une mise en service par mégarde. Assurez-vous que l'interrupteur est effectivement en position d'arrêt avant de retirer la fiche de la prise de courant.** Le fait de porter l'appareil avec le doigt sur l'interrupteur ou de brancher l'appareil sur la source de courant lorsque l'interrupteur est en position de fonctionnement, peut entraîner des accidents.
- d. **Enlevez tout outil de réglage ou toute clé avant de mettre l'appareil en fonctionnement.** Une clé ou un outil se trouvant sur une partie en rotation peut causer des blessures.
- e. **Ne surestimez pas vos capacités. Veillez à garder toujours une position stable et équilibrée.** Ceci vous permet de mieux contrôler l'appareil dans des situations inattendues.
- f. **Portez des vêtements appropriés. Ne portez pas de vêtements amples, ni de bijoux. Gardez les cheveux et les vêtements à distance des pièces mobiles.** Des vêtements amples, des bijoux ou des cheveux longs peuvent être happés par les pièces en mouvement.
- g. **Si des dispositifs servant à aspirer ou à recueillir les poussières doivent être utilisés, vérifiez que ceux-ci soient effectivement raccordés et qu'ils sont correctement utilisés.** L'utilisation de tels dispositifs réduit les dangers dus aux poussières.
- h. **Ne devenez pas trop sûr de vous, par habitude suite à une utilisation fréquente de l'appareil, de manière à ne pas respecter les principes de sécurité de base de l'appareil.** Une action imprudente peut occasionner de graves blessures en l'espace d'une fraction de seconde.

4. UTILISATION ET EMPLOI SOIGNEUX DE L'OUTIL ÉLECTROPORTATIF

- a. **Ne surchargez pas l'appareil. Utilisez l'outil électroportatif approprié au travail à effectuer.** Avec l'outil électroportatif approprié, vous travaillerez mieux et avec plus de sécurité à la vitesse pour laquelle il est prévu.
- b. **N'utilisez pas un outil électroportatif dont l'interrupteur est défectueux.** Un outil électroportatif qui ne peut plus être mis en ou hors fonctionnement est dangereux et doit être réparé.
- c. **Retirez la fiche de la prise de courant avant d'effectuer des réglages sur l'appareil, de changer les accessoires, ou de ranger l'appareil.** Cette mesure de précaution empêche une mise en fonctionnement par mégarde.
- d. **Gardez les outils électroportatifs non utilisés hors de portée des enfants. Ne permettez pas l'utilisation de l'appareil à des personnes qui ne se sont pas familiarisées avec celui-ci ou qui n'ont pas lu ces instructions.** Les outils électroportatifs sont dangereux lorsqu'ils sont utilisés par des personnes non initiées.
- e. **Prenez soin des outils électroportatifs. Vérifiez que les parties en mouvement fonctionnent correctement et qu'elles ne soient pas coincées, et contrôlez si des parties sont cassées ou endommagées de telle sorte que le bon fonctionnement de l'appareil s'en trouve entravé. Faites**

réparer les parties endommagées avant d'utiliser l'appareil. De nombreux accidents sont dus à des outils électroportatifs mal entretenus.

- f. Maintenez les outils de coupe aiguisés et propres.** Des outils soigneusement entretenus avec des bords tranchants bien aiguisés se coincent moins souvent et peuvent être guidés plus facilement.
- g. Utilisez les outils électroportatifs, les accessoires, les outils à monter etc. conformément à ces instructions et aux prescriptions en vigueur pour ce type d'appareil. Tenez compte également des conditions de travail et du travail à effectuer.** L'utilisation des outils électroportatifs à d'autres fins que celles prévues peut entraîner des situations dangereuses.
- h. Gardez les poignées dans un état sec, propre et exempt d'huile et de graisse.** Des poignées glissantes ne permettent pas une prise en main sûre et le contrôle de l'outil électrique dans des situations inattendues.

6. SERVICE

- a. Ne faites réparer votre outil électroportatif que par un personnel qualifié et seulement avec des pièces de rechange d'origine.** Ceci permet d'assurer la sécurité de l'appareil.
- b. Pour la réparation et l'entretien, n'utilisez que des pièces d'origine.** L'utilisation d'accessoires ou de pièces de rechange non adaptés risque de provoquer une électrocution ou des blessures.

Symboles utilisés dans ce manuel

V.....volts

A.....ampères

Hz.....hertz

W.....watts

~.....courant alternatif

n_0 vitesse nominale

min^{-1} révolutions ou alternance par minute



.....avertissement de danger général



.....lisez ces instructions



.....portez toujours une protection oculaire



.....Toujours porter un masque anti-poussière.



.....portez toujours une protection auditive



.....portez un casque de sécurité agréé



ne jetez pas les outils électriques, les accessoires et les emballages avec les déchets ménagers

CONSIGNES DE SÉCURITÉ



AVERTISSEMENT ! Lisez toutes les consignes de sécurité et instructions Le non-respect de ces avertissements et consignes peut entraîner un choc électrique, un incendie et/ou des blessures graves. Conservez toutes les consignes et instructions en vue d'une utilisation ultérieure.

- **Cet outil électrique est conçu pour poncer le béton. Lisez tous les avertissements de sécurité, les instructions, les illustrations et les spécifications fournies avec cet outil électrique.** Le non-respect de toutes les instructions ci-dessous peut entraîner une électrocution, un incendie et/ou des blessures graves.
- **Il est déconseillé d'utiliser cet outil électrique pour effectuer d'autres types de travaux, comme le meulage, le brossage, le polissage ou le découpage.** L'utilisation de cet outil pour réaliser des travaux pour lesquels il n'a pas été conçu peut présenter des risques et provoquer des accidents.
- **N'utilisez pas des accessoires qui ne sont pas spécifiquement conçus et recommandés par le fabricant de l'outil.** Le seul fait de pouvoir monter un accessoire sur votre outil électrique ne garantit pas la sécurité de son fonctionnement.
- **La vitesse nominale de l'accessoire doit être au moins égale à la vitesse maximale indiquée sur l'outil.** Les accessoires utilisés à une vitesse supérieure à leur vitesse nominale peuvent se casser et projeter des débris dangereux.
- **Le diamètre extérieur et l'épaisseur de votre accessoire doivent être conformes à la capacité nominale de votre outil électrique.** Les accessoires de taille incorrecte ne vous offrent pas une protection ni un contrôle appropriés.
- **Le filetage de chaque accessoire utilisé doit correspondre au filetage de l'axe de la ponceuse. Pour les accessoires montés avec un flasque, le trou d'axe de l'accessoire doit correspondre au diamètre de positionnement du flasque.** Les accessoires qui ne sont pas conformes au matériel de montage de l'outil électrique seront déséquilibrés, vibreront excessivement et peuvent provoquer une perte de contrôle.
- **Ne pas utiliser un accessoire s'il est endommagé. Avant chaque utilisation, inspectez les accessoires. Par exemple, vérifiez qu'aucune meule abrasive n'est ébréchée, ou fissurée, leur tampon support ne doit pas être fendu, déchiré, ou excessivement usé, les brins des brosses métalliques ne doivent pas être lâches ou fendus. Si un outil électrique ou un accessoire est tombé, vérifiez s'il est endommagé. Si nécessaire, installez un accessoire en bon état. Après avoir inspecté et installé un accessoire, placez-vous, ainsi que les personnes présentes, à l'écart du plan de l'accessoire en rotation et faites fonctionner l'outil électrique à vitesse maximale à vide pendant une minute.** Normalement, un accessoire endommagé se brisera pendant ce test.
- **Portez un équipement de protection individuelle. Selon l'application, utilisez un masque facial, des lunettes de protection ou des lunettes de sécurité. Le cas échéant, portez un masque anti-poussière, des protections auditives, des gants et un tablier d'atelier capables d'arrêter les petits fragments d'abrasif ou de matériau projetés. La protection oculaire doit être capable d'arrêter les débris projetés pendant le travail.** Le masque anti-poussière ou le masque respirateur doit être capable de filtrer les particules produites par votre travail. Une exposition prolongée à un bruit de forte intensité peut entraîner une perte d'audition.
- **Demandez aux personnes présentes de s'éloigner de la zone de travail en respectant une distance de sécurité suffisante. Toute personne pénétrant dans la zone de travail doit porter un équipement de protection individuelle.** Des fragments de matériau ou d'accessoire peuvent être projetés et causer des blessures au-delà de la zone de travail immédiate.

- **Ne tenez l'outil électrique que par des surfaces de préhension isolées, en particulier lorsque l'accessoire de coupe risque d'entrer en contact avec un câblage caché ou un cordon d'alimentation électrique.** Un accessoire de coupe en contact avec un cordon « sous tension » peut devenir un conducteur et exposer l'opérateur à un choc électrique.
- **Pendant le travail, vérifiez que le cordon d'alimentation est toujours aussi loin que possible de l'accessoire de coupe en rotation.** Si vous perdez le contrôle, le cordon peut être coupé ou accroché et votre main ou votre bras risque d'être tiré sur l'accessoire en rotation.
- **Ne posez jamais votre outil électrique avant l'arrêt complet de l'accessoire de coupe.** L'accessoire en rotation peut s'accrocher à la surface et vous faire perdre le contrôle de l'outil.
- **Ne laissez jamais l'outil tourner lorsque vous le portez sur le côté.** Un contact accidentel de l'accessoire de coupe en rotation avec vos vêtements peut le tirer sur une partie de votre corps.
- **Nettoyez régulièrement les bouches d'aération de votre outil électrique.** Le ventilateur du moteur aspire la poussière à l'intérieur du boîtier, et une accumulation excessive de poudre métallique peut provoquer des risques électriques.
- **Ne maniez pas l'outil électrique à proximité de matières inflammables.** Des étincelles peuvent les enflammer.
- **N'utilisez pas d'accessoires nécessitant un liquide de refroidissement.** L'utilisation d'eau ou d'un autre liquide de refroidissement peut provoquer une électrocution ou un choc électrique.

Contrecoup et avertissements connexes

Un contrecoup ou rebond soudain et inattendu est possible lorsqu'une meule en rotation, un tampon de montage, une brosse ou autre accessoire en mouvement est coincé ou accroché. Le coincement ou l'accrochage bloque instantanément l'accessoire en rotation, et provoque le déplacement forcé et violent de l'outil électrique non contrôlé dans le sens opposé à la rotation de l'accessoire. Par exemple, si une meule abrasive est accrochée ou pincée par une pièce, le bord de la meule qui entre dans le point de pincement peut s'enfoncer dans la surface du matériau. Par contrecoup, la meule ressort vers le haut ou elle est projetée hors de contrôle. La meule sautera alors vers l'opérateur ou s'éloignera, selon le sens de rotation au point de pincement. Les meules abrasives peuvent également se briser dans ces conditions. Le rebond résulte d'une mauvaise utilisation de l'outil électrique, d'un non-respect des procédures, ou de conditions d'utilisation inappropriées. Ce problème peut être évité en prenant les précautions indiquées ci-dessous.

- **L'outil électrique doit toujours être maintenu d'une main ferme. Le corps et le bras doivent être positionnés pour résister rapidement et facilement à la force du rebond. Utilisez toujours la poignée auxiliaire, si elle est montée, pour contrôler au maximum le rebond ou la réaction du couple au démarrage.** En prenant systématiquement les précautions indiquées, l'opérateur pourra contrôler les réactions de couple et la force du rebond.
- **Ne placez jamais votre main à proximité de l'accessoire en rotation.** Le contact de l'accessoire en mouvement et de la main peut suffire à créer un rebond.
- **Ne placez pas votre corps dans la zone où l'outil se déplacera en cas de rebond.** Le rebond propulsera l'outil dans la direction opposée au sens de rotation de la meule sur le point d'accrochage.
- **Soyez particulièrement vigilant lorsque vous travaillez dans les coins, sur des bords tranchants, etc.** Évitez de faire ressauter l'accessoire et de l'accrocher. Les coins, les arêtes vives ou les ressauts ont tendance à accrocher l'accessoire en rotation et à provoquer une perte de contrôle ou un rebond.
- **Ne pas attacher un accessoire à bois ou un disque de scie dentée.** De tels accessoires provoquent des contrecoup fréquents et des pertes de contrôle.

Consignes de sécurité spéciales relatives au ponçage

N'utilisez pas fréquemment de feuille de disque à poncer surdimensionnée. Respectez les recommandations des fabricants lors de la sélection de la feuille abrasive. Une feuille abrasive allant au-delà du patin de ponçage présente un risque de laceration et peut provoquer un accrochage, la cassure du disque ou un rebond.

DESCRIPTION DU FONCTIONNEMENT

Cette ponceuse électrique de cloison sèche est spécialement conçue pour le ponçage le plus efficace des cloisons sèches ou des murs et plafonds en plâtre, dans le cadre des travaux de reconstruction et de remise en état. Elle est également conçue pour fonctionner avec un aspirateur pour garantir une faible émission de poussières et des résultats de ponçage impressionnants. La tête de ponçage pivotante offre d'excellents résultats en un minimum de temps et d'effort.

RACCORDEMENT ÉLECTRIQUE

La tension du réseau doit se trouver dans la plage de tension indiquée sur la plaque signalétique de l'outil. Un outil électrique ne doit jamais être utilisé lorsque son câble d'alimentation électrique est endommagé. Un câble endommagé doit être immédiatement remplacé par un le service client autorisé. N'essayez pas de réparer vous-même un câble endommagé. Un câble d'alimentation endommagé peut provoquer un choc électrique.

RALLONGE

Lorsqu'une rallonge est nécessaire, elle doit être dotée d'une section transversale suffisante pour éviter une baisse de tension ou une surchauffe excessive. Les baisses de tension excessives réduisent le rendement et peuvent causer une panne du moteur.

DÉBALLAGE

Retirez délicatement l'outil de même que tous les articles non fixés de l'emballage d'expédition. Ne jetez pas l'emballage avant d'avoir inspecté la machine et vérifié qu'elle fonctionne correctement.

CONTENU DU CARTON

1. Ponceuse de cloison sèche
2. Sac de transport
3. Manuel d'utilisation

AVANT DE METTRE CET OUTIL EN MARCHÉ, RASSUREZ-VOUS D'AVOIR LU ENTIÈREMENT ET COMPRIS

INSTALLATION DU DISQUE DE PAPIER DE VERRE

1. Débranchez l'appareil.
2. Décollez le disque de papier de verre usé tout en gardant le tampon support.
3. Centrez précautionneusement le nouveau disque et exercez-y une pression pour le fixer. Ce faisant, il est sécurisé par le crochet et le support autocollant.

ATTENTION : N'essayez pas de fixer un accessoire autre que le papier de verre, cela pourrait endommager la machine.

ATTENTION : Veuillez toujours vous assurer que le papier de verre est bien centré sur le plateau support, et vérifiez deux fois pour confirmer le bon positionnement. Un papier de verre décentré ou mal positionné peut causer une vibration excessive qui pourrait endommager la machine.

REPLACEMENT DU TAMPON SPONGIEUX À CROCHET ET À BOUCLE

Pour obtenir de bons résultats de ponçage, le tampon spongieux doit être parfaitement plat. S'il est déformé ou endommagé, le ponçage ne sera pas uniforme. Remplacez toujours le tampon lorsqu'il est endommagé. Il est muni de boucles et de crochets sur les deux côtés. Pour le remplacer, décollez-le du support du plateau de ponçage et placez-y un nouveau en vous rassurant de le centrer correctement.

POILS DE BROSSÉ SUR LA BORDURE DU COUVERCLE DU PLATEAU DE PONÇAGE

Les poils de brosse se trouvant sur la bordure du couvercle du plateau de ponçage ont deux objectifs : ils assurent le bon alignement du disque à poncer avec la surface de travail et ils permettent à l'aspirateur de collecter la poussière de manière efficace. Ces poils de brosse s'useront en cas d'utilisation continue. En cas d'usure excessive des poils, le couvercle du plateau de ponçage doit être remplacé pour garantir la collecte efficace des poussières et la stabilisation de la tête de ponçage.

POUR REMPLACER LE COUVERCLE, SUIVEZ LES ÉTAPES SUIVANTES

Tenez le plateau de ponçage avec une main. Avec l'autre main, et à l'aide d'une clé hexagonale en L (fournie), libérez d'abord le boulon central en le tournant dans le sens horaire. Ensuite, utilisez la même clé hexagonale en L pour empêcher le boulon central de pivoter et faites tourner le plateau de ponçage dans le sens antihoraire.

Une fois le plateau de ponçage ôté, retirez les 8 vis pour enlever le couvercle du plateau de ponçage de sa base.

Le remplacement se fait dans l'ordre inverse du retrait.

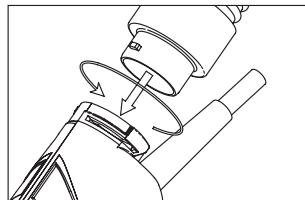


Desserrage du plateau de ponçage

Confiez tous les travaux de réparation à un centre de service autorisé.

INSTALLATION DU TUYAU DE L'ASPIRATEUR

1. Débranchez l'appareil.
2. Fixez la monture à baïonnette du tuyau d'aspiration dans le support pivotant se trouvant à l'arrière de la machine. Une fois que les languettes de la monture à baïonnette sont complètement insérées dans les fentes, empêchez le support pivotant de tourner et faites pivoter la monture à baïonnette du tuyau dans le sens horaire pour le verrouillage.
3. Pour déposer le tuyau, reprenez les mêmes étapes en sens inverse.



ASPIRATEUR

Assurez-vous qu'un sac homologué pour les poussières de cloisons sèches est installé sur votre aspirateur.

AVERTISSEMENT : La non utilisation d'un sac à poussière homologué augmentera le niveau de poussière en suspension dans la zone de travail. Une exposition prolongée à de telles particules de poussières peut causer des affections respiratoires.

MISE EN MARCHÉ ET ARRÊT DE L'OUTIL

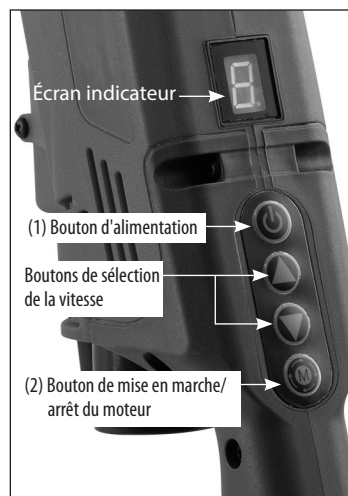
Vérifiez que la tension du circuit électrique est la même que celle indiquée sur la plaque signalétique de l'outil avant de brancher l'outil au circuit électrique.

Mise en marche et en arrêt de la machine

Mise en marche :

Arrêtez la machine avec les deux mains, appuyez tout d'abord sur le bouton d'alimentation pour mettre l'outil sous tension, puis appuyez sur le bouton Marche/Arrêt pour le démarrer. Anticipez des couples de démarrage au premier démarrage de la machine.

REMARQUE : Après avoir pressé le contacteur du moteur, le contrôleur se synchronise avec la position du rotor, et un retard de 1 à 2 secondes est noté avant le début de la rotation. C'est un phénomène normal.



Mise en arrêt :

Appuyez sur le bouton d'alimentation. Après que la machine a été mise en arrêt, le disque à poncer continuera de tourner pendant quelques temps. Faites attention à ce qu'aucune partie de votre corps n'entre pas en contact avec le disque. Ne posez pas l'outil tant que le disque tourne encore !

RÉGLAGE DE LA VITESSE DE ROTATION

La vitesse de l'outil est variable et peut être adaptée à différentes tâches. Elle peut être réglée de 780 tr/min à 1 250 tr/min, par paliers de 80 tr/min. Cela se fait en appuyant sur les boutons de sélection de la vitesse « Haut » et « Bas ». Pressez le bouton « Haut » pour augmenter la vitesse, et sur le bouton « Bas » pour la réduire. Le réglage choisi s'affichera sur l'écran indicateur.

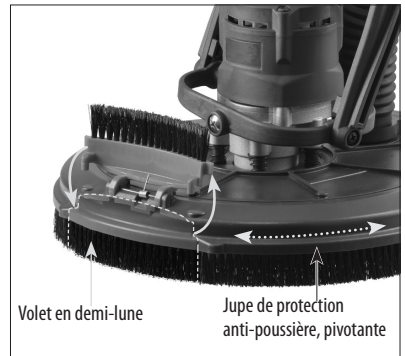
En général, vous devez utiliser des vitesses rapides pour un ponçage rapide et des vitesses basses pour un contrôle plus précis.

VOLET EN DEMI-LUNE

Le couvercle du plateau de ponçage est équipé d'un volet en demi-lune qui permet à l'opérateur de poncer jusqu'au bord ou dans un coin. Le bord de la jupe de protection anti-poussière peut également être tourné de manière à positionner l'ouverture à n'importe quel angle souhaité.

Pour ouvrir le volet, arrêtez tout d'abord l'outil et mettez-le hors tension. Pressez ensuite le volet vers le bas jusqu'à ce que vous entendiez un clic d'enclenchement. Le volet se soulèvera donc du fait de la tension de son ressort. Pour la fermeture, reprenez les mêmes étapes en sens inverse.

La rétention de la poussière ne peut se faire de manière efficace tant que le volet en demi-lune est ouvert. Le volet doit donc être immédiatement fermé lorsqu'il n'est pas sollicité.



UTILISATION DE L'OUTIL

La commande efficace de cet outil nécessite les deux mains, pour un maximum de sécurité et de contrôle. La meilleure façon de le tenir est de maintenir une main sur la poignée principale et l'autre sur la poignée spongieuse de la colonne. Il est extrêmement important de garder un bon équilibre, généralement lorsque vous vous trouvez sur des échafaudages ou sur des échasses.

OPÉRATIONS DE PONÇAGE

1. Une fois que la machine et l'aspirateur ont été paramétrés et que toutes les mesures et tous les équipements de sécurité ont été installés, commencez par allumer l'aspirateur, puis la machine. (Si vous

utilisez un aspirateur avec commutateur intégré, il vous suffit juste de mettre la machine en marche.)

2. Commencez le ponçage en effleurant la surface de travail, juste assez pour maintenir la tête de ponçage plane par rapport à la surface en question.
3. Les joints de la tête de ponçage permettent au disque à poncer de suivre les contours de la surface de travail.
4. Le meilleur moyen est d'effectuer des courbes qui se chevauchent et de garder la tête en mouvement constant. Ne placez jamais le disque à poncer sur un endroit pendant trop longtemps, cela pourrait laisser des marques. Il vous sera facile d'obtenir d'excellents résultats lorsque vous gagnerez en expérience.

ATTENTION : Assurez-vous toujours que la surface de travail est bien sèche avant de commencer le ponçage. Une surface humide ou semi-humide causera une surcharge du moteur, ce qui pourra endommager l'outil.

REMARQUE : Assurez-vous que le papier de verre que vous utilisez est adapté à la tâche. Un papier à grain trop grossier peut causer un ponçage impossible à contrôler. Par contre, un papier à grain trop fin peut s'encrasser trop souvent et ne pas façonner la surface.

ATTENTION : Veuillez éviter les saillies pointues, les clous, etc. Ces outils peuvent détruire le papier de verre et endommager éventuellement le tampon spongieux.

ENTRETIEN

Aussi souvent que nécessaire, soufflez le moteur en fonctionnement à vide avec de l'air comprimé pour éliminer les poussières accumulées.

ENTRETIEN DE L'OUTIL

Soufflez régulièrement de l'air comprimé dans toutes les conduites d'air. Nettoyez toutes les pièces en plastique avec un chiffon doux et humide. N'utilisez JAMAIS des solvants pour nettoyer des pièces en plastique. Ils pourraient dissoudre ou endommager autrement le matériel.

Portez des lunettes de sécurité lorsque vous utilisez de l'air comprimé.

Nettoyez régulièrement le raccord d'aspiration pivotant. Il pourrait ne plus tourner librement en cas d'accumulation de poussières.

Si le remplacement du cordon d'alimentation est nécessaire, il doit être effectué par le fabricant ou son agent afin d'éviter tout risque pour la sécurité.

AVERTISSEMENT : Toutes les réparations doivent être effectuées par un centre de service agréé. Les réparations mal exécutées peuvent causer des blessures ou la mort.

PROTECTION CONTRE LA SURCHARGE et LA CHALEUR

Cet outil indiquera que la charge maximale recommandée a été atteinte en diminuant sa vitesse de rotation. Si l'opérateur insiste, la machine s'arrêtera. Lorsque l'outil est en surchauffe, il s'arrête automatiquement. **Voir la section « Codes d'erreurs » ci-dessous pour plus d'informations.**

ATTENTION : Chaque fois que l'outil sera en surcharge ou en surchauffe, faites-le fonctionner à vide pendant quelques minutes pour qu'il refroidisse, avant de continuer.

CODES D'ERREURS

E - 1	Surcharge de courant	Appuyer une fois sur le contacteur du moteur pour corriger l'erreur, puis appuyer de nouveau sur le contacteur du moteur pour redémarrer l'outil
E - 2	Surchauffe (contrôleur >80 °C)	Lorsque la température chute en dessous de 60 °C, appuyer une fois sur le contacteur du moteur pour corriger l'erreur, puis appuyer de nouveau sur le contacteur du moteur pour redémarrer l'outil
E - 3	Tension faible : Entrée 110 V-120 V en dessous de 80 V ou entrée 220 V-240 V en dessous de 180 V	Lorsque la tension retourne à la normale, appuyer une fois sur le contacteur du moteur pour corriger l'erreur, puis appuyer de nouveau sur le contacteur du moteur pour redémarrer l'outil
E - 4	Tension élevée : Entrée 110 V-120 V au-delà de 130 V ou entrée 220 V-240 V au-delà de 260 V	Lorsque la tension retourne à la normale, appuyer une fois sur le contacteur du moteur pour corriger l'erreur, puis appuyer de nouveau sur le contacteur du moteur pour redémarrer l'outil
E - 2 - 5	Moteur bloqué	S'assurer que le moteur peut tourner librement, puis appuyer une fois sur le contacteur du moteur pour corriger l'erreur, et appuyer de nouveau sur le contacteur du moteur pour redémarrer l'outil
E - 2 - 6	Le moteur ne démarre pas après 4 tentatives	Appuyer une fois sur le contacteur du moteur pour corriger l'erreur, puis presser de nouveau le contacteur du moteur pour redémarrer l'outil si le problème persiste, se rendre dans un centre de service pour vérification
E - 9 - 1	Perte de communication entre le panneau de commutation et la carte électronique pendant le fonctionnement	La carte électronique coupe automatiquement le signal : Appuyer une fois sur le contacteur du moteur pour corriger l'erreur, puis appuyer de nouveau sur le contacteur du moteur pour redémarrer l'outil Si le problème persiste, se rendre dans un centre de service pour vérification

REMARQUE : L'écran indicateur peut également afficher les heures écoulées. Voir le concessionnaire pour les détails.

Bruit / informations de vibration

Mesuré suivant la norme EN 60745-2-3

Modèle n° : SB9

Niveau sonore : Niveau de pression acoustique(L_{pA}): 77.5 dB (A)
Niveau de puissance acoustique(L_{wA}): 88.5 dB(A) K = 3 dB (A)

Niveau de vibration : $a_h = 3.3 \text{ m/s}^2$ K = 1.5 m/s^2

Le niveau d'émission de vibrations a été mesuré conformément à un test standardisé indiqué dans EN 60745. Il peut être utilisé pour comparer un outil à un autre et en tant qu'évaluation préliminaire de l'exposition à une vibration en cas d'utilisation de l'outil pour les applications mentionnées

- l'utilisation de l'outil pour des applications différentes ou avec des accessoires différents ou mal entretenus peut augmenter considérablement le niveau d'exposition
- les périodes pendant lesquelles l'outil est à l'arrêt ou en fonctionnement, mais sans exécuter sa tâche peuvent réduire considérablement le niveau d'exposition

protégez-vous contre les effets des vibrations en entretenant l'outil et ses accessoires, en maintenant vos mains au chaud et en organisant vos schémas de travail

Déclaration CE de Conformité

•Nous déclarons, sous notre seule responsabilité, que ce produit est conforme aux normes ou aux documents standardisés suivants : EN 60745-1: 2009 + A11: 2010 & EN 60745-2-3: 2011 & EN 62233: 2008, EN 61000, EN 55014, conformément aux règlements 2014/30/UE 2006/42/CE, 2011/65 /UE

•Fichier technique à l'adresse: LEE YEONG INDUSTRIAL CO., LTD., NO.2, KEJIA RD., DOULIU CITY, YUNLIN COUNTY 64057, TAIWAN

You-Chun, Liu
Opérations et Ingénierie

You chun Liu

Chih-Hao, Lai
Responsable Approbations

chih hao lai

LEE YEONG INDUSTRIAL CO., LTD.,
NO.2, KEJIA RD., DOULIU CITY, YUNLIN COUNTY 64057, TAIWAN 06.08.2020

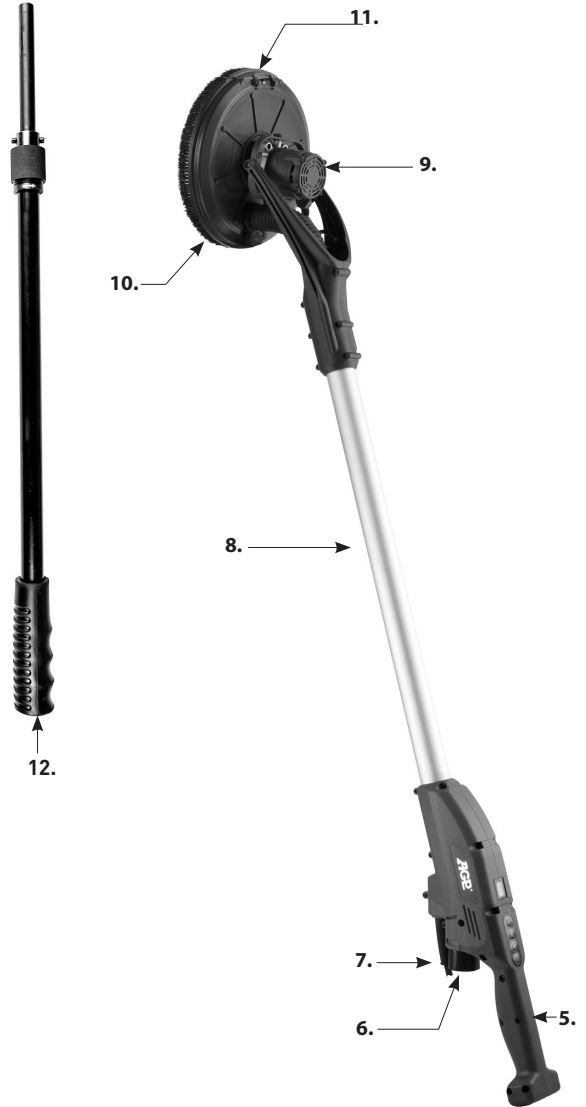
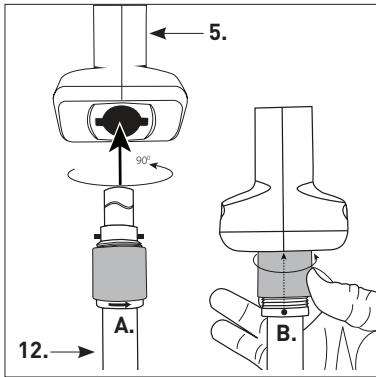
LEE YEONG INDUSTRIAL CO., LTD.

NO.2, KEJIA RD., DOULIU CITY,
YUNLIN COUNTY 64057, TAIWAN

TEL: 886-5-5518689 (REP)

Fax: 886-5-5518635

1. Botón de encendido
2. Botón de encendido/apagado del moto
3. Botones de selección de velocidad
4. Pantalla indicadora
5. Empuñadura principal
6. Soporte giratorio de la aspiradora
7. Cable de alimentación
8. Columna
9. Motor
10. Faldón de polvo (giratorio)
11. Puerta en forma de media luna
12. Barra de extensión (opcional)



Modelo	SB9
Tensión	110 V - 120 V ~ 50 - 60 Hz, 220 V - 240 V ~ 50 - 60 Hz
Sin carga mín. ¹	1 000 - 1 600
Potencia de entrada	450 W
Diámetro del disco de lijado	225 mm
Longitud	1,53 m
Peso neto	2,9 kg (6,4 lb)

Instrucciones generales de seguridad



¡ATENCIÓN! Lea íntegramente las instrucciones e indicaciones de seguridad. El incumplimiento de dichas instrucciones e indicaciones puede dar lugar a descargas eléctricas, incendios o lesiones graves.

Guardar todas las advertencias de peligro e instrucciones para futuras consultas.

El término herramienta eléctrica empleado en las siguientes advertencias de peligro se refiere a herramientas eléctricas de conexión a la red (con cable de red) y a herramientas eléctricas accionadas por acumulador (o sea, sin cable de red).

1. PUESTO DE TRABAJO

- a. **Mantenga limpio y bien iluminado su puesto de trabajo.** El desorden y una iluminación deficiente en las áreas de trabajo pueden provocar accidentes.
- b. **No utilice la herramienta eléctrica en un entorno con peligro de explosión, en el que se encuentren combustibles líquidos, gases o material en polvo.** Las herramientas eléctricas producen chispas que pueden llegar a inflamar los materiales en polvo o vapores.
- c. **Mantenga alejados a los niños y otras personas de su puesto de trabajo al emplear la herramienta eléctrica.** Una distracción le puede hacer perder el control sobre el aparato.
- d. **Vigile siempre la herramienta eléctrica mientras esté en funcionamiento.** Mantenga vigilada la herramienta eléctrica hasta que ésta pare por completo.

2. SEGURIDAD ELÉCTRICA

- a. **El enchufe del aparato debe corresponder a la toma de corriente utilizada. No es admisible modificar el enchufe en forma alguna. No emplear adaptadores en aparatos dotados con una toma de tierra.** Los enchufes sin modificar adecuados a las respectivas tomas de corriente reducen el riesgo de una descarga eléctrica.
- b. **Evite que su cuerpo toque partes conectadas a tierra como tuberías, radiadores, cocinas y refrigeradores.** El riesgo a quedar expuesto a una sacudida eléctrica es mayor si su cuerpo tiene contacto con tierra.
- c. **No exponga las herramientas eléctricas a la lluvia y evite que penetren líquidos en su interior.** Existe el peligro de recibir una descarga eléctrica si penetran ciertos líquidos en la herramienta eléctrica.
- d. **No utilice el cable de red para transportar o colgar el aparato, ni tire de él para sacar el enchufe de la toma de corriente. Mantenga el cable de red alejado del calor, aceite, esquinas cortantes o piezas móviles.** Los cables de red dañados o enredados pueden provocar una descarga eléctrica.
- e. **Al trabajar con la herramienta eléctrica en la intemperie utilice solamente cables de prolongación homologados para su uso en exteriores.** La utilización de un cable de prolongación adecuado para su uso en exteriores reduce el riesgo de una descarga eléctrica.
- f. **Si fuese imprescindible utilizar la herramienta eléctrica en un entorno húmedo, es necesario conectarla a través de un fusible diferencial.** La aplicación de un fusible diferencial reduce el riesgo a exponerse a una descarga eléctrica.

3. SEGURIDAD DE PERSONAS

- a. **Esté atento a lo que hace y emplee la herramienta eléctrica con prudencia. No utilice la herramienta eléctrica si estuviese cansado, ni tampoco después de haber consumido alcohol, drogas o medicamentos.** El no estar atento durante el uso de una herramienta eléctrica puede provocarle serias lesiones.
- b. **Utilice un equipo de protección y en todo caso unas gafas de protección.** El riesgo a lesionarse se reduce considerablemente si, dependiendo del tipo y la aplicación de la herramienta eléctrica empleada, se utiliza un equipo de protección adecuado como una mascarilla antipolvo, zapatos de seguridad con suela antideslizante, casco, o protectores auditivos.
- c. **Evite una puesta en marcha fortuita del aparato. Cerciorarse de que el aparato esté desconectado antes conectarlo a la toma de corriente.** Si transporta el aparato sujetándolo por el interruptor de conexión/desconexión, o si introduce el enchufe en la toma de corriente con el aparato conectado, ello puede dar lugar a un accidente.
- d. **Retire las herramientas de ajuste o llaves fi jas antes de conectar la herramienta eléctrica.** Una herramienta o llave colocada en una pieza rotante puede producir lesiones al ponerse a funcionar.
- e. **Sea precavido. Trabaje sobre una base firme y mantenga el equilibrio en todo momento.** Ello le permitirá controlar mejor la herramienta eléctrica en caso de presentarse una situación inesperada.
- f. **Utilice ropa adecuada. No utilice ropa ancha ni objetos de joyería o bisutería. Mantenga el pelo y la ropa alejada de las piezas en movimiento.** La ropa suelta o el pelo largo pueden quedar atrapados por piezas en movimiento.
- g. **Siempre que sea posible utilizar unos equipos de aspiración o captación de polvo, asegúrese que éstos estén montados y que sean utilizados correctamente.** El empleo de estos equipos reduce los riesgos derivados del polvo.
- h. **No debe jamás confi arse por el uso frecuente de las máquinas e ignorar los principios de seguridad de la herramienta.** Un manejo imprudente puede ocasionar lesiones graves en fracciones de segundo.

4. TRATO Y USO CUIDADOSO DE HERRAMIENTAS ELÉCTRICAS

- a. **No sobrecargue el aparato. Use la herramienta prevista para el trabajo a realizar.** Con la herramienta adecuada podrá trabajar mejor y más seguro dentro del margen de potencia indicado.
- b. **No utilice herramientas con un interruptor defectuoso.** Las herramientas que no se puedan conectar o desconectar son peligrosas y deben hacerse reparar.
- c. **Saque el enchufe de la red antes de realizar un ajuste en el aparato, cambiar de accesorio o al guardar el aparato.** Esta medida preventiva reduce el riesgo a conectar accidentalmente el aparato.
- d. **Guarde las herramientas fuera del alcance de los niños y de las personas que no estén familiarizadas con su uso.** Las herramientas utilizadas por personas inexpertas son peligrosas.
- e. **Cuide sus aparatos con esmero. Controle si funcionan correctamente, sin atascarse, las partes móviles del aparato, y si existen partes rotas o deterioradas que pudieran afectar al funcionamiento de la herramienta. Si la herramienta eléctrica estuviese defectuosa haga repararla antes de volver a utilizarla.** Muchos de los accidentes se deben a aparatos con un mantenimiento deficiente.
- f. **Mantenga los útiles limpios y afi lados.** Los útiles mantenidos correctamente se dejan guiar y controlar mejor.
- g. **Utilice herramientas eléctricas, accesorios, útiles, etc. de acuerdo a estas instrucciones y en la manera indicada específicamente para este aparato. Considere en ello las condiciones de trabajo y**

la tarea a realizar. El uso de herramientas eléctricas para trabajos diferentes de aquellos para los que han sido concebidas puede resultar peligroso.

- h. Mantenga las empuñaduras secas, limpias y libres de aceite y grasa.** Las empuñaduras resbaladizas no permiten una manipulación y un control seguros de la herramienta eléctrica en situaciones inesperadas.

5. SERVICIO

- a. Únicamente haga reparar su herramienta eléctrica por un profesional, empleando exclusivamente piezas de repuesto originales.** Solamente así se mantiene la seguridad de la herramienta eléctrica.
- b. Utilice exclusivamente piezas originales para la reparación y el mantenimiento de su herramienta.** El uso de accesorios o piezas de recambio no previstos puede producir descargas eléctricas o lesiones.

Símbolos utilizados en el manual

V.....voltios

A.....amperios

Hz.....hercios


W.....vatios

~.....Corriente alterna

n_0Velocidad nominal

min^{-1}Revoluciones o

rotaciones por minuto

Advertencia de peligro general



..... Leer estas instrucciones



.....Usar siempre protección ocular



.....Usar siempre máscara antipolvo



.....Usar siempre protección auditiva



.....Uso de casco de seguridad homologado



No deseche las herramientas eléctricas, los accesorios ni el embalaje junto con los residuos domésticos

INSTRUCCIONES DE SEGURIDAD



ADVERTENCIA! Lea todas las instrucciones y advertencias de seguridad. No seguir todas las instrucciones y advertencias puede resultar en una descarga eléctrica, un incendio y/o lesiones graves. Guardar todas las instrucciones y advertencias para consultarlas en el futuro.

- Esta herramienta eléctrica está diseñada para funcionar como una lijadora. Lea todas las advertencias de seguridad, instrucciones, imágenes y especificaciones que se proporcionan con esta herramienta eléctrica.** No seguir todas las instrucciones indicadas más adelante puede resultar en una descarga eléctrica, un incendio y/o lesiones graves.
- No se recomiendan llevar a cabo operaciones de amolado, cepillado metálico, pulido o corte con esta herramienta eléctrica.** Llevar a cabo operaciones para las que la herramienta eléctrica no fue diseñada puede causar daños y lesiones corporales.

- **No utilizar accesorios que no estén recomendados ni diseñados específicamente por el fabricante de la herramienta.** El hecho de que el accesorio pueda conectarse a la herramienta eléctrica no garantiza un funcionamiento seguro.
- **La velocidad nominal del accesorio debe ser, como mínimo, igual a la velocidad máxima indicada en la herramienta eléctrica.** Los accesorios que funcionan más rápido que su velocidad nominal pueden romperse y despedazarse.
- **El diámetro exterior y el grosor de su accesorio no deben superar la capacidad nominal de la herramienta eléctrica.** Los accesorios con un tamaño incorrecto no se pueden manejar ni proteger de manera adecuada.
- **El montaje a rosca de los accesorios debe coincidir con la rosca del husillo de la lijadora. En el caso de accesorios instalados con bridas, el orificio del eje del accesorio debe encajar con el diámetro de alojamiento de la brida.** Los accesorios que no coincidan con las piezas de montaje de la herramienta eléctrica funcionarán de manera desequilibrada, vibrarán en exceso y pueden hacer que se pierda el control de la máquina.
- **No utilizar un accesorio dañado. Examinar el accesorio antes de cada uso: discos abrasivos en busca de mellas y grietas, almohadillas de soporte en busca de fisuras, roturas o desgaste excesivo, cepillo metálico en busca de alambres sueltos o partidos. Si una herramienta eléctrica o un accesorio se cae al suelo, examinarlos en busca de daños o instalar un accesorio que no esté dañado. Después de examinar e instalar el accesorio, tanto usted como los que están a su alrededor deben mantenerse alejados del plano de rotación del accesorio y poner en marcha la herramienta eléctrica a velocidad máxima sin carga durante un minuto.** Normalmente, los accesorios dañados se rompen durante este tiempo de prueba.
- **Utilizar equipos de protección personal. En función de la aplicación, utilizar protector facial, gafas de seguridad o protectoras. Cuando proceda, utilizar mascarilla antipolvo, protectores auditivos, guantes y un delantal de trabajo que pueda rechazar pequeños fragmentos abrasivos o de piezas.** La protección ocular debe ser capaz de rechazar los residuos volátiles que generan las distintas operaciones. La mascarilla antipolvo o el respirador deben poder filtrar las partículas que se generan en su operación. La exposición prolongada al ruido de alta intensidad puede provocar pérdida de audición.
- **Mantener a las personas de alrededor a una distancia segura de la zona de trabajo. Todo el que acceda a la zona de trabajo debe utilizar equipos de protección personal.** Los fragmentos de piezas o un accesorio roto pueden salir despedidos y causar lesiones más allá de la zona inmediata de funcionamiento.
- **Sujetar la herramienta eléctrica solamente por las superficies de agarre cuando se vaya a llevar a cabo una operación en la que el accesorio de corte pueda entrar en contacto con cables ocultos o con su propio cable.** Un accesorio de corte que entra en contacto con un cable con tensión puede hacer que se electrifiquen las piezas metálicas de la herramienta y que el operario reciba una descarga.
- **Colocar el cable lejos del accesorio giratorio.** Si pierde el control de la herramienta, el cable puede cortarse o engancharse y la mano o el brazo pueden introducirse en el accesorio giratorio.
- **No poner nunca la herramienta eléctrica boca abajo hasta que el accesorio se haya parado por completo.** El accesorio giratorio puede quedarse atrapado en la superficie y hacer que pierda el control de su herramienta eléctrica.
- **No poner en marcha la herramienta eléctrica mientras la transporta con usted.** El contacto accidental con el accesorio giratorio podría hacer que se le enganchara a la ropa, arrastrando el accesorio hacia su cuerpo.
- **Limpiar regularmente las ranuras de ventilación de la herramienta eléctrica.** El ventilador del motor

recoge el polvo dentro de la carcasa, y la acumulación excesiva de metal en polvo puede provocar riesgos eléctricos.

- **No utilizar la herramienta eléctrica cerca de materiales inflamables.** Las chispas pueden prender esos materiales.
- **No utilizar accesorios que requieran refrigerantes líquidos.** Utilizar agua u otros refrigerantes líquidos puede resultar en una descarga eléctrica o en una electrocución.

Retroceso y advertencias relacionadas

El retroceso es una reacción repentina en un disco giratorio, almohadilla de soporte, escobilla o cualquier otro accesorio que está comprimido o enganchado. El accesorio giratorio se atasca rápidamente cuando se comprime o se engancha, lo que a su vez hace que la herramienta eléctrica no controlada se fuerce en la dirección opuesta a la rotación del accesorio en el punto de unión. Por ejemplo, si un disco abrasivo se comprime o engancha a la pieza de trabajo, el canto del disco que toca el punto de comprensión puede perforar la superficie del material, haciendo que el disco se desmonte o se salga. El disco puede salir disparado hacia el operario o lejos de él en función de la dirección de movimiento del disco en el punto de enganche. Los discos abrasivos también pueden romperse en esas condiciones. El retroceso es el resultado de un uso indebido de la herramienta eléctrica y/o de una aplicación incorrecta de los procedimientos o condiciones de funcionamiento y se puede evitar tomando las precauciones adecuadas, tal y como se indica a continuación.

- **Sostener firmemente la herramienta eléctrica y situar su cuerpo y su brazo para ofrecer resistencia a las fuerzas de retroceso. Utilizar siempre la empuñadura frontal, si la tiene, para controlar al máximo el retroceso o la reacción del par de torsión al ponerse en marcha.** El operario puede controlar las reacciones del par de torsión o las fuerzas de retroceso si se toman las precauciones necesarias.
- **No colocar nunca su mano cerca del accesorio giratorio.** El accesorio puede tener un retroceso por encima de la mano.
- **No situar su cuerpo en la zona en la que se desplazará la herramienta eléctrica si se produce el retroceso.** El retroceso impulsará la herramienta en la dirección contraria al movimiento del disco en el punto de enganche.
- **Prestar especial atención cuando trabaje en esquinas, cantos vivos, etc. Evite que el accesorio rebote o se enganche.** Las esquinas, los cantos vivos o los rebotes tienden a enganchar el accesorio giratorio y causan retroceso o hacen perder el control de la herramienta.
- **No acoplar una hoja de sierra para tallar madera ni una hoja de sierra dentada.** Esas hojas suelen provocar retrocesos y hacer que se pierda el control de la herramienta.

Instrucciones especiales de seguridad para lijar

No utilizar un disco de lijado excesivamente grande. Siga las recomendaciones de los fabricantes a la hora de seleccionar la lija. Las lijas más grandes que superan la almohadilla de lijado presentan riesgo de laceración y pueden provocar el retroceso de la herramienta o que el disco se enganche o se desgarre.

DESCRIPCIÓN FUNCIONAL

Esta lijadora eléctrica para paneles de yeso está diseñada específicamente para conseguir el lijado más eficiente de paneles de yeso, muros de escayola y techos, tanto en construcciones nuevas como en trabajos de renovación. Está diseñada para trabajar junto con una aspiradora, para generar así la mínima cantidad de polvo y obtener los mejores resultados de lijado. El cabezal de lijado giratorio ofrece unos excelentes resultados con esfuerzo y tiempo mínimos.

CONEXIÓN ELÉCTRICA

La tensión de red debe estar dentro del rango de tensión indicado en la placa de identificación de la herramienta. En ningún caso debe utilizarse la herramienta cuando el cable de la fuente de alimentación está dañado. El servicio técnico autorizado debe reemplazar inmediatamente un cable dañado. No intente reparar el cable dañado por su cuenta. El uso de cables de alimentación dañados puede dar lugar a una descarga eléctrica.

CABLE ALARGADOR

Si es necesario utilizar un cable alargador, este debe tener una sección transversal suficiente para evitar una caída de tensión excesiva o que se sobrecaliente. Una caída de tensión excesiva reduce la potencia y puede derivar en un fallo del motor.

DESEMBALAJE

Sacar con cuidado la herramienta y los elementos sueltos de la caja de transporte. Conservar todos los materiales de embalaje hasta que haya comprobado y puesto en marcha la máquina correctamente.

COMPONENTES DE LA CAJA

1. Lijadora para paneles de yeso
2. Bolsa de transporte
3. Manual de instrucciones

NO PONGA EN MARCHA ESTA HERRAMIENTA HASTA HABER LEÍDO Y COMPRENDIDO EL MANUAL DE INSTRUCCIONES AL COMPLETO

INSTALAR UN DISCO DE LIJADO

1. Desconectar la máquina.

2. Retirar la lija desgastada, dejar la almohadilla de soporte tipo esponja en su sitio.
3. Centrar con cuidado el nuevo disco de lijado y presionar para colocarlo. Se quedará firmemente sujeto por el enganche y la presilla de soporte.

PRECAUCIÓN: no intente acoplar otro accesorio que no sea una lija, esto puede causar daños a la máquina.

PRECAUCIÓN: prestar siempre atención para garantizar que la lija está bien centrada en las almohadillas de soporte y volver a comprobarla para confirmar que está totalmente adherida. Una lija descentrada o mal adherida causará una vibración excesiva que podría dañar la máquina.

SUSITUIR LA ALMOHADILLA DE ESPONJA CON ENGANCHE Y PRESILLA

La almohadilla de esponja debe estar perfectamente plana para obtener unos buenos resultados de lijado. Si está dañada o deformada producirá un lijado muy irregular. Sustitúyala siempre que esté dañada. Tiene un enganche y una presilla en ambos lados, de modo que para sustituirla tiene que quitarla del enganche y la presilla de la placa de soporte de lijado, tener mucho cuidado para mantenerla perfectamente centrada y después colocar una nueva.

CERDAS DEL CEPILLO EN EL BORDE DE LA CUBIERTA DE LA PLACA DE LIJADO

Las cerdas del cepillo en el borde de la cubierta de la placa de lijado sirven para dos cosas: mantienen el disco de lijado debidamente alineado con la superficie de trabajo sin rasparla y ayudan a la aspiradora a recoger el polvo de manera eficiente. Estas cerdas del cepillo se desgastarán con el uso continuado.

La cubierta de la placa de lijado se debe sustituir cuando las cerdas también estén desgastadas, para garantizar la recogida de polvo efectiva y la estabilización del cabezal de lijado.

SEGUIR ESTOS PASOS PARA SUSTITUIR LA CUBIERTA

Sujetar la placa de lijado con una mano y con la otra utilizar la llave Allen (suministrada), aflojar primero el perno central girando la llave hacia la derecha. Después, utilizar solo la llave Allen para fijar el perno central y evitar que la placa de lijado gire hacia la izquierda.

Cuando se extraiga la placa de lijado, retirar los 8 tornillos para sacar la cubierta de la placa de lijado fuera de la base de la cubierta de lijado. Para la sustitución se realiza el proceso contrario a la extracción. Encargue todas las reparaciones a un centro de servicio autorizado.

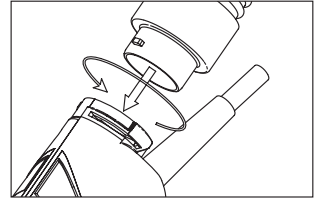


Aflojar la placa de lijado

INSTALAR LA MANGUERA DE LA ASPIRADORA

1. Desconectar la máquina.

2. Introducir la conexión de bayoneta de la manguera de la aspiradora en el soporte giratorio en la parte posterior de la máquina. Cuando las espigas de la conexión de bayoneta estén totalmente insertadas en las ranuras, agarre el soporte giratorio para evitar que se mueva y gire la conexión de bayoneta de la manguera hacia la derecha para bloquearla.
3. Para la extracción se realiza el proceso contrario a la sustitución.



ASPIRADORA

Asegúrese de que la bolsa que ha instalado en su aspiradora está homologada y es compatible con polvo de yeso.

ADVERTENCIA: no utilizar una bolsa de polvo homologada en su aspiradora incrementará el nivel de polvo en suspensión en la zona de trabajo. La exposición prolongada a ese polvo puede provocar daños respiratorios.

INICIAR Y PARAR LA HERRAMIENTA

Asegúrese de que la tensión del circuito de alimentación es la misma que se indica en la placa de identificación de la máquina antes de conectar la herramienta al circuito.

Encender y apagar la máquina Para

encenderla:

Mientras sostiene la máquina con ambas manos, pulse primero el botón de encendido para activar la herramienta, después pulse el botón de encendido/apagado del motor para poner en marcha la herramienta. Anticípese y esté preparado para el par de torsión cuando la máquina se ponga en marcha por primera vez.

NOTA: después de presionar el interruptor del motor, el controlador se sincroniza con la posición del rotor, y habrá un retraso de entre uno y dos segundos antes de que comience a girar. Esto es normal.

Para apagarla:

Presione el botón de encendido. El disco de lijado seguirá girando durante un tiempo después de haber apagado la máquina. Preste atención a que las partes del cuerpo no entren en contacto con el disco y no ponga la máquina boca abajo mientras sigue girando.



AJUSTAR LA VELOCIDAD DE ROTACIÓN

La velocidad de la máquina varía para adaptarse a las distintas tareas. Se puede ajustar desde 780/min hasta 1250/min en etapas de 80/min pulsando los botones de selección de velocidad "arriba" y "abajo". Presione el botón "arriba" para incrementar la velocidad y el botón "abajo" para reducirla. La configuración seleccionada aparecerá en la pantalla indicadora.

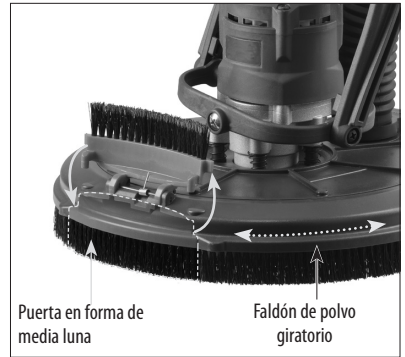
Por lo general, debería utilizar las velocidades más altas para eliminar material rápidamente y las velocidades más bajas para tener un control más preciso.

PUERTA EN FORMA DE MEDIA LUNA

La cubierta de la placa de lijado está equipada con una puerta en forma de media luna que se puede abrir, lo que permitirá al operario lijar justo en un canto o en una esquina. El borde del faldón de polvo también es giratorio para posicionar la abertura en el cualquier ángulo deseado.

Para abrirla, primero apague y desconecte la máquina, después presione la puerta hacia abajo hasta que haga clic, y luego quedará libre para abatirse según la tensión de su muelle. Para el cierre se realiza el proceso contrario a la apertura.

La recogida de polvo no será la ideal mientras que la puerta en forma de media luna está abierta, así que debería cerrarse inmediatamente cuando no se necesite.



CÓMO UTILIZAR LA HERRAMIENTA

El control efectivo de esta potente lijadora requiere utilizar las dos manos para una protección y resistencia máximas. El agarre adecuado es colocar una mano en la empuñadura principal y la otra mano en el mango acolchado de la columna. Es de vital importancia mantener una posición estable en todo momento, especialmente cuando se está sobre un andamio o zancos.

OPERACIONES DE LIJADO

1. Cuando la máquina y la aspiradora ya están ajustadas, se ha colocado el equipo y se han aplicado todas las medidas de seguridad, comience por encender la aspiradora y después la máquina. (Si utiliza la aspiradora con un conmutador integrado, solo tiene que encenderlo).
2. Empiece a lijar y a tocar con cuidado la superficie de trabajo lo más levemente posible, lo suficiente para mantener plano el cabezal de lijado contra la superficie.
3. Las juntas del cabezal de lijado permiten que el disco de lijado recorra los contornos de la superficie de trabajo.
4. La mejor técnica es utilizar los barridos superpuestos y mantener el cabezal en constante movimiento.

Nunca esté demasiado tiempo en una zona o aparecerán marcas de movimiento. Con experiencia será muy fácil obtener excelentes resultados.

PRECAUCIÓN: asegúrese siempre de que la superficie de trabajo está completamente seca antes de lijar. Una superficie húmeda o semihúmeda sobrecargará el motor, lo que produce daños a la herramienta.

NOTA: asegúrese de que la lija que emplea se adapta a la tarea. Una lija con un grano demasiado grueso puede eliminar el material demasiado rápido como para controlarlo. En cambio, una lija con un grano demasiado fino puede obstruirse con frecuencia y no rebajar la superficie.

PRECAUCIÓN: preste atención para evitar clavos, salientes puntiagudos, etc., ya que dañarán la lija y probablemente también dañarán la almohadilla de la esponja.

MANTENIMIENTO

Soplar aire comprimido a través del motor, tantas veces como sea necesario, mientras el motor está en funcionamiento y sin carga para limpiar el polvo acumulado.

MANTENER LIMPIA LA HERRAMIENTA

Soplar aire comprimido seco de vez en cuando por todos los conductos de aire. Todas las piezas de plástico se deben limpiar con un trapo suave y húmedo. No utiliza NUNCA disolventes para limpiar las piezas de plástico, seguramente desharían o dañarían el material de otro modo.

Utilizar gafas de seguridad al usar aire comprimido.

Limpiar el conector giratorio de la aspiradora, ya que demasiado polvo no lo dejará girar correctamente.

Si es necesario sustituir el cable de alimentación, esta operación debe hacerla el fabricante o su representante y evitar así un riesgo para la seguridad.

ADVERTENCIA: se deben encargar todas las reparaciones a un centro de servicio autorizado. Las reparaciones que no se han llevado a cabo correctamente pueden causar lesiones o incluso la muerte.

SOBRECARGA y PROTECCIÓN TÉRMICA

Esta herramienta indicará que se ha alcanzado la carga máxima recomendada cuando disminuya su velocidad de rotación. La máquina se parará si el operario no deja de presionarla con fuerza. Además, la máquina se parará automáticamente cuando se sobrecaliente. **Ver los "códigos de error" a continuación para obtener más información.**

PRECAUCIÓN: siempre que la máquina se sobrecargue o se sobrecaliente hay que hacerla funcionar sin carga durante unos minutos para permitir que se enfríe antes de continuar trabajando con ella

CÓDIGOS DE ERROR

E - 1	Sobrecarga de corriente	Pulsar una vez el interruptor del motor para eliminar el error, después pulsar una vez más el interruptor del motor para reiniciar la herramienta
E - 2	Sobrecalentamiento (controlador >80 °C)	Cuando la temperatura sea inferior a 60 °C, pulsar una vez el interruptor del motor para eliminar el error, después pulsar una vez más el interruptor del motor para reiniciar la herramienta
E - 3	Tensión baja: entrada de 110 V-120 V por debajo de los 80 V o entrada de 220 V-240 V por debajo de los 180 V	Cuando la tensión vuelva a sus valores normales, pulsar una vez el interruptor del motor para eliminar el error, después pulsar una vez más el interruptor del motor para reiniciar la herramienta
E - 4	Tensión alta: entrada de 110 V-120 V por encima de los 130 V o entrada de 220 V-240 V por encima de los 260 V	Cuando la tensión vuelva a sus valores normales, pulsar una vez el interruptor del motor para eliminar el error, después pulsar una vez más el interruptor del motor para reiniciar la herramienta
E - 2 - 5	Motor bloqueado	Asegurarse de que el motor puede girar libremente, pulsar una vez el interruptor del motor para eliminar el error, después pulsar una vez más el interruptor del motor para reiniciar la herramienta
E - 2 - 6	El motor no puede reiniciarse después de 4 intentos	Pulsar una vez el interruptor del motor para eliminar el error, pulsar una vez el interruptor del motor para reiniciar la herramienta. Si el problema persiste, llevar la máquina al centro de servicio para su comprobación
E - 9 - 1	Pérdida de comunicación entre el panel de interruptores y el cuadro electrónico durante el funcionamiento	El cuadro electrónico elimina automáticamente la señal: pulsar una vez el interruptor del motor para eliminar el error, después pulsar una vez más el interruptor del motor para reiniciar la herramienta. Si el problema persiste, llevar la máquina al centro de servicio para su comprobación

NOTA: la pantalla indicadora también puede mostrar las horas transcurridas. Ver al distribuidor para obtener más información.

Información sobre ruido/vibración

Medición de acuerdo con la norma EN 60745-2-3.

Modelo n° : SB9

Nivel de ruido: Nivel de presión acústica(L_{pA}): 77.5 dB (A)
Nivel de potencia acústica(L_{WA}): 88.5 dB (A) K = 3 dB (A)

Nivel de vibración: $a_h = 3.3 \text{ m/s}^2$ K = 1.5 m/s^2

El nivel de emisión de vibración se ha medido según una prueba estandarizada de acuerdo con la norma EN 60745. Se ha empleado para comparar una herramienta con otra, y como evaluación preliminar de exposición a la vibración al usar la herramienta para las aplicaciones mencionadas.

- El uso de la herramienta para diferentes aplicaciones, con otros accesorios o con accesorios en mal estado puede incrementar notablemente la exposición al ruido.
- El tiempo en el que la herramienta está desconectada o cuando está en funcionamiento pero sin realizar el trabajo puede reducir de forma significativa el nivel de exposición.

Protéjase contra los efectos vibratorios conservando en buen estado la herramienta, manteniendo sus manos calientes y organizando sus patrones de trabajo.

Declaración de conformidad CE

- Declaramos bajo nuestra única responsabilidad que este producto se encuentra en conformidad con las siguientes normas o documentos estandarizados: EN 60745-1: 2009 + A11: 2010 & EN 60745-2-3: 2011 & EN 62233: 2008 , EN 61000, EN 55014 de acuerdo con las regulaciones 2014/30/EU, 2006/42/EC, 2011/65/EU.
- Documentación técnica en: LEE YEONG INDUSTRIAL CO., LTD., N° 2, KEJIA RD., DOULIU CITY, CONDADO DE YUNLIN 64057, TAIWAN

You-Chun, Liu
Operaciones e ingeniería

You chun Liu

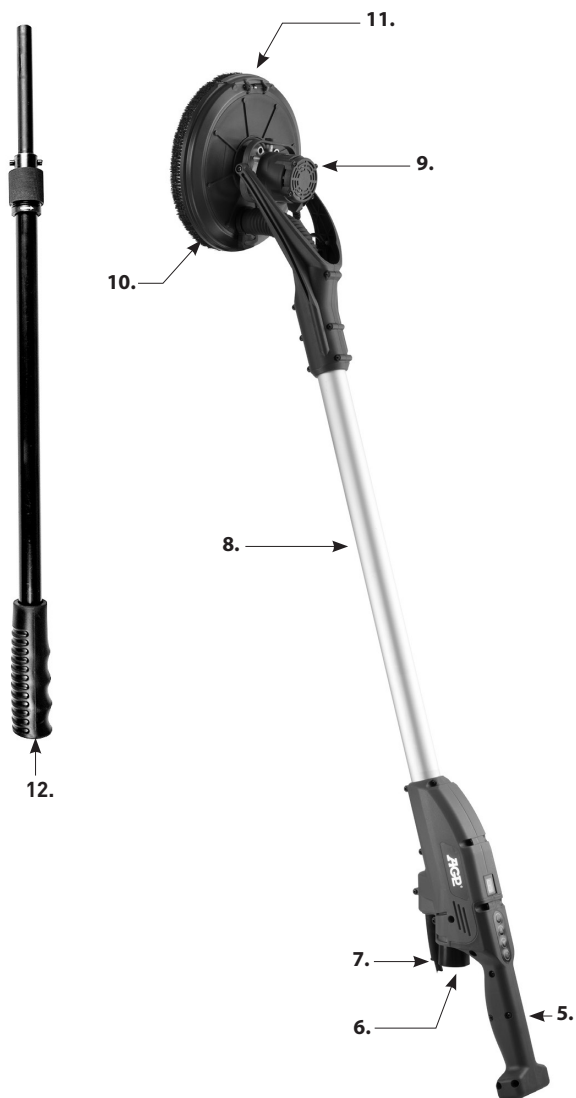
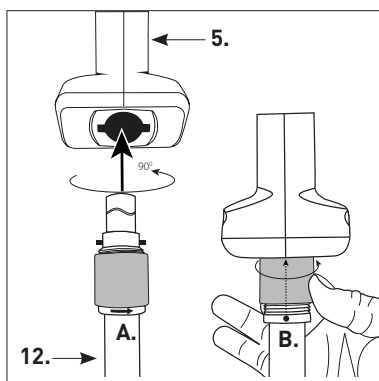
Chih-Hao, Lai
Responsable de
aprobaciones

chih hao lai

LEE YEONG INDUSTRIAL CO., LTD.,
N° 2, KEJIA RD., DOULIU CITY, CONDADO DE YUNLIN 64057, TAIWAN 06.08.2020

LEE YEONG INDUSTRIAL CO., LTD.
N° 2, KEJIA RD., DOULIU CITY, CONDADO
DE YUNLIN 64057, TAIWAN
TEL: 886-5-5518689 (REP)
Fax: 886-5-5518635

1. Pulsante di accensione
2. Pulsante di accensione/spengimento del motore
3. Pulsanti selettori della velocità
4. Schermo indicatore
5. Impugnatura principale
6. Supporto girevole aspiratore
7. Cavo di alimentazione
8. Manico
9. Motore
10. Zoccolo antipolvere (girevole)
11. Sportello a mezzaluna
12. Barra di estensione (opzionale)



Modello	SB9
Tensione	110 V - 120 V ~ 50 - 60 Hz, 220 V - 240 V ~ 50 - 60 Hz
A vuoto min ⁻¹	1 000 - 1 600
Potenza assorbita	450 W
Diametro disco di levigatura	225 mm
Lunghezza	1,53 m
Peso netto	2,9 kg

ISTRUZIONI GENERALI DI SICUREZZA



ATTENZIONE! È assolutamente necessario leggere attentamente tutte le avvertenze di sicurezza e le istruzioni. Eventuali errori nell'adempimento delle avvertenze e delle istruzioni qui di seguito riportate potranno causare scosse elettriche, incendi e/o lesioni gravi.

Conservare tutte le avvertenze di pericolo e le istruzioni operative per ogni esigenza futura.

Il termine «elettrotensile» utilizzato nelle avvertenze di pericolo si riferisce ad utensili elettrici alimentati dalla rete (con linea di allacciamento) ed ad utensili elettrici alimentati a batteria (senza linea di allacciamento).

1. POSTO DI LAVORO

- a. **Mantenere pulito ed ordinato il posto di lavoro.** Il disordine e le zone di lavoro non illuminate possono essere fonte di incidenti.
- b. **Evitare d'impiegare l'utensile in ambienti soggetti al rischio di esplosioni nei quali si trovino liquidi, gas o polveri infi ammabili.** Gli utensili elettrici producono scintille che possono far infi ammare la polvere o i gas.
- c. **Mantenere lontani i bambini ed altre persone durante l'impiego dell'utensile elettrico.** Eventuali distrazioni potranno comportare la perdita del controllo sull'utensile
- d. **Non lasciare incustodito l'elettrotensile.** Lasciare l'area soltanto quando l'elettrotensile si è completamente arrestato.

2. SICUREZZA ELETTRICA

- a. **La spina per la presa di corrente dovrà essere adatta alla presa. Evitare assolutamente di apportare modifi che alla spina. Non impiegare spine adattatrici assieme ad utensili con collegamento a terra.** Le spine non modifi cate e le prese adatte allo scopo riducono il rischio di scosse elettriche.
- b. **Evitare il contatto fi sico con superfi ci collegate a terra, come tubi, riscaldamenti, cucine elettriche e frigoriferi.** Sussiste un maggior rischio di scosse elettriche nel momento in cui il corpo é messo a massa.
- c. **Custodire l'utensile al riparo dalla pioggia o dall'umidità.** L'eventuale infi ltrazione di acqua in un utensile elettrico va ad aumentare il rischio d'insorgenza di scosse elettriche.
- d. **Non usare il cavo per scopi diversi da quelli previsti al fi ne di trasportare o appendere l'apparecchio, oppure di togliere la spina dalla presa di corrente. Mantenere l'utensile al riparo da fonti di calore, dall'olio, dagli spigoli o da parti di strumenti in movimento.** I cavi danneggiati o aggrovigliati aumentano il rischio d'insorgenza di scosse elettriche.
- e. **Qualora si voglia usare l'utensile all'aperto, impiegare solo ed esclusivamente cavi di prolunga omologati per l'impiego all'esterno.** L'uso di un cavo di prolunga omologato per l'impiego all'esterno riduce il rischio d'insorgenza di scosse elettriche.
- f. **Qualora non fosse possibile evitare di utilizzare l'elettrotensile in ambiente umido, utilizzare un interruttore di sicurezza.** L'uso di un interruttore di sicurezza riduce il rischio di una scossa elettrica.

3. SICUREZZA DELLE PERSONE

- a. **È importante concentrarsi su ciò che si sta facendo e a maneggiare con giudizio l'utensile elettrico durante le operazioni di lavoro. Non utilizzare l'utensile in caso di stanchezza o sotto l'effetto di droghe, bevande alcoliche e medicinali.** Un attimo di distrazione durante l'uso dell'utensile potrà causare lesioni gravi.
- b. **Indossare sempre equipaggiamento protettivo individuale, nonché guanti protettivi.** Se si avrà cura d'indossare equipaggiamento protettivo individuale come la maschera antipolvere, la calzatura antidrucciolevole di sicurezza, il casco protettivo o la protezione dell'udito, a seconda dell'impiego previsto per l'utensile elettrico, si potrà ridurre il rischio di ferite.
- c. **Evitare l'accensione involontaria dell'utensile. Assicurarsi che il tasto si trovi in posizione di "SPENTO", prima d'inserire la spina nella presa di corrente.** Il fatto di tenere il dito sopra all'interruttore o di collegare l'utensile acceso all'alimentazione di corrente potrà essere causa di incidenti.
- d. **Togliere gli attrezzi di regolazione o la chiave inglese prima di accendere l'utensile.** Un utensile o una chiave inglese che si trovino in una parte di strumento in rotazione potranno causare lesioni.
- e. **È importante non sopravvalutarsi. Avere cura di mettersi in posizione sicura e di mantenere l'equilibrio.** In tale maniera sarà possibile controllare meglio l'apparecchio in situazioni inaspettate.
- f. **f) Indossare indumenti adeguati. Non indossare indumenti ampi né gioielli. Tenere i capelli e gli indumenti lontano dalle parti in movimento.** Indumenti ampi, gioielli o capelli lunghi possono restare impigliati nelle parti della macchina in movimento.
- g. **Se sussiste la possibilità di montare dispositivi di aspirazione o di captazione della polvere, assicurarsi che gli stessi siano stati installati correttamente e vengano utilizzati senza errori.** L'impiego dei suddetti dispositivi diminuisce il pericolo rappresentato dalla polvere.
- h. **Non lasciatevi prendere da un'eccessiva confidenza con le macchine spesso dovuta alla frequenza di utilizzo delle stesse, che possa portare a trascurare importanti principi di sicurezza per l'uso dell'utensile.** Un'azione imprudente può provocare gravi lesioni in pochi secondi.

4 MANEGGIO ED IMPIEGO ACCURATO DI UTENSILI ELETTRICI.

- a. **Non sovraccaricare l'utensile. Impiegare l'utensile elettrico adatto per sbrigare il lavoro.** Utilizzando l'utensile elettrico adatto si potrà lavorare meglio e con maggior sicurezza nell'ambito della gamma di potenza indicata.
- b. **Non utilizzare utensili elettrici con interruttori difettosi.** Un utensile elettrico che non si può più accendere o spegnere è pericoloso e dovrà essere riparato.
- c. **Togliere la spina dalla presa di corrente prima di regolare l'apparecchio, di sostituire pezzi di ricambio o di mettere da parte l'apparecchio.** Tale precauzione eviterà che l'apparecchio possa essere messo in funzione inavvertitamente.
- d. **Custodire gli utensili elettrici non utilizzati al di fuori della portata dei bambini. Non fare usare l'apparecchio a persone che non sono abituate ad usarlo o che non abbiano letto le presenti istruzioni.** Gli utensili elettrici sono pericolosi se utilizzati da persone inesperte.
- e. **Effettuare accuratamente la manutenzione dell'apparecchio. Verifi care che le parti mobili dello**

strumento funzionino perfettamente e non s'inceppino, che non ci siano pezzi rotti o danneggiati al punto tale da limitare la funzione dell'apparecchio stesso. Far riparare le parti danneggiate prima d'impiegare l'apparecchio. Numerosi incidenti vengono causati da utensili elettrici la cui manutenzione è stata effettuata poco accuratamente.

- f. Mantenere affi lati e puliti gli utensili da taglio.** Gli utensili da taglio curati con particolare attenzione e con taglienti affi lati s'inceppano meno frequentemente e sono più facili da condurre.
- g. Utilizzare utensili elettrici, accessori, attrezzi, ecc. in conformità con le presenti istruzioni e secondo quanto previsto per questo tipo specifici co di apparecchio. Osservare le condizioni di lavoro ed il lavoro da eseguirsi durante l'impiego.** L'impiego di utensili elettrici per usi diversi da quelli consentiti potrà dar luogo a situazioni di pericolo.
- h. Tenere le impugnature asciutte, pulite e prive di olio e grasso.** Impugnature scivolose non consentono manovrabilità né controllo sicuri dell'elettrotensile in caso di situazioni inaspettate.

5. ASSISTENZA

- a. Fare riparare l'apparecchio solo ed esclusivamente da personale specializzato e solo impiegando pezzi di ricambio originali.** In tale maniera potrà essere salvaguardata la sicurezza dell'apparecchio.
- b. Per gli interventi di riparazione e manutenzione, utilizzare soltanto parti originali.** L'utilizzo di accessori o ricambi non idonei può causare scosse elettriche o lesioni.

Simboli utilizzati nel manuale

V.....volt

A.....ampere

Hz.....hertz

W.....watt

~.....corrente alternata

n_0 velocità nominale

min^{-1} giri od oscillazioni al minuto



.....avvertenza di pericolo generico



.....leggere queste istruzioni



.....indossare sempre protezioni per gli occhi



.....indossare sempre una maschera antipolvere.



.....indossare sempre protezioni per l'udito



.....indossare un elmetto omologato



non smaltire gli utensili elettrici, gli accessori e gli imballaggi insieme ai rifiuti domestici



ISTRUZIONI DI SICUREZZA



AVVERTENZA. Leggere tutte le istruzioni e le avvertenze di sicurezza. Il mancato rispetto delle avvertenze e delle istruzioni può causare il rischio di folgorazione, incendio e/o lesioni gravi. Conservare tutte le avvertenze e le istruzioni per consultazioni future.

- **Questo utensile elettrico deve essere utilizzato per operazioni di levigatura. Leggere tutte le avvertenze di sicurezza, le istruzioni, le illustrazioni e le specifiche che accompagnano questo utensile elettrico.** Il mancato rispetto di tutte le istruzioni indicate di seguito può causare il rischio di folgorazione, incendio e/o lesioni gravi.
- **Non è consigliabile utilizzare questo utensile per eseguire operazioni di smerigliatura, spazzolatura metallica, lucidatura o taglio.** Le operazioni che non rientrano nell'uso previsto dell'utensile possono creare un pericolo e causare lesioni personali.
- **Utilizzare soltanto gli accessori che sono stati concepiti specificamente e consigliati dal costruttore dell'utensile.** Il semplice fatto che un accessorio possa essere fissato all'utensile non garantisce un funzionamento sicuro.
- **La velocità nominale dell'accessorio deve essere pari ad almeno la velocità massima indicata sull'utensile. Gli accessori che vengono utilizzati a una velocità superiore a quella nominale possono rompersi, con proiezione di schegge.**
- **Il diametro esterno e lo spessore dell'accessorio devono rispettare la potenza nominale dell'utensile. Accessori di dimensioni errate non possono essere controllati o protetti adeguatamente.**
- **In caso di accessori che devono essere avvitati, la relativa filettatura deve corrispondere a quella del mandrino della smerigliatrice. In caso di accessori montati mediante flange, il foro dell'albero dell'accessorio deve corrispondere al diametro di posizionamento della flangia. Gli accessori che non corrispondono alla ferramenta di montaggio dell'utensile causeranno uno squilibrio, vibreranno eccessivamente, con possibile perdita di controllo.**
- **Non utilizzare un accessorio danneggiato. Prima di ogni utilizzo, controllare l'accessorio, ad es. i dischi abrasivi, per riscontrare l'eventuale presenza di schegge e spaccature, eventuali spaccature, strappi o usura eccessiva nel platorello di supporto, così come fili allentati o spaccati nella spazzola metallica. In caso di caduta dell'utensile elettrico o dell'accessorio, controllare l'eventuale presenza di danni o installare un accessorio integro. Dopo aver controllato e installato l'accessorio, l'operatore e le persone presenti devono rimanere lontani dal piano dell'accessorio rotante; lasciare funzionare l'utensile alla velocità massima senza carico per un minuto. Gli accessori danneggiati normalmente si staccano durante questo periodo di prova.**
- **Indossare i dispositivi di protezione individuale. In base all'applicazione specifica, utilizzare maschera facciale, occhiali di sicurezza o di protezione. In base alla situazione specifica, indossare maschera antipolvere, protezioni dell'udito, guanti e grembiule professionale in grado di proteggere da piccoli frammenti abrasivi o provenienti dai pezzi da lavorare. Le protezioni per gli occhi devono essere in grado di arrestare detriti volanti generati da varie operazioni. La maschera antipolvere o il respiratore deve essere in grado di filtrare le particelle generate dall'operazione in corso. Un'esposizione prolungata a rumori ad alta intensità può causare la perdita dell'udito.**
- **Le persone presenti devono rimanere a una distanza di sicurezza dall'area di lavoro. Chiunque acceda all'area di lavoro deve indossare i dispositivi di protezione individuale. I frammenti del pezzo da lavorare o di un accessorio danneggiato possono essere proiettati a distanza, causando lesioni oltre l'area di lavoro nelle immediate vicinanze.**

- **Quando si eseguono operazioni in cui gli accessori di taglio possono entrare in contatto con cablaggi nascosti o con il filo dello stesso utensile, afferrarlo mediante le impugnature in materiale isolante. Qualora l'accessorio di taglio entrasse in contatto con un filo sotto tensione, le parti metalliche esposte dell'utensile potrebbero essere messe in tensione e folgorare l'operatore.**
- **Posizionare il cavo lontano dall'accessorio rotante. In caso di perdita di controllo, il cavo potrebbe tagliarsi o strapparsi, trascinando la mano o il braccio dell'operatore nel disco rotante.**
- **Appoggiare l'utensile soltanto quando l'accessorio si è arrestato completamente. Il disco rotante può afferrare la superficie, rendendo l'utensile impossibile da controllare.**
- **Non avviare l'utensile mentre viene trasportato sul fianco. Il contatto accidentale con l'accessorio rotante potrebbe lacerare gli abiti, fino a entrare in contatto col corpo.**
- **Pulire regolarmente le prese d'aria dell'utensile. La ventola del motore aspira la polvere all'interno dell'alloggiamento; un accumulo eccessivo di polvere metallica può causare pericoli di natura elettrica.**
- **Non utilizzare l'utensile nelle vicinanze di materiali infiammabili. Le scintille potrebbero incendiare tali materiali.**
- **Non utilizzare degli accessori che richiedano dei refrigeranti liquidi.** L'uso di acqua o altri refrigeranti liquidi può causare scarica di corrente elettrica o folgorazione.

Contraccolpo e relative avvertenze

Un contraccolpo è una reazione improvvisa a disco rotante, platello di supporto, spazzola o qualsiasi altro accessorio danneggiato, con conseguente arresto rapido dell'accessorio rotante che, a sua volta, forza l'utensile fuori controllo nella direzione opposta alla rotazione dell'accessorio nel punto di inceppamento. Ad esempio, se un disco abrasivo viene danneggiato dal pezzo da lavorare, il bordo del disco che entra nella zona critica può infossarsi nella superficie del materiale, facendo fuoriuscire il disco. Il disco può saltare verso o lontano dall'operatore in base alla direzione di movimento del disco stesso nella zona critica. In queste condizioni i dischi abrasivi possono anche rompersi. Un contraccolpo viene causato da un utilizzo errato dell'utensile e/ o da condizioni o procedure di lavoro errate, e si può evitare mediante le precauzioni corrette indicate qui di seguito.

- **Mantenere una presa salda sull'utensile, quindi posizionare il corpo e il braccio in modo da contrastare le forze di contraccolpo. Durante l'avviamento, utilizzare sempre l'impugnatura supplementare, se presente, per ottenere il massimo controllo sulle forze di reazione o di contraccolpo.** Se vengono applicate le precauzioni corrette, l'operatore può controllare le forze di reazione o di contraccolpo.
- **Non avvicinare mai la mano all'accessorio rotante.** L'accessorio può rinculare sulla mano.
- **Non assumere una posizione in cui il corpo si trovi nella zona di spostamento dell'utensile in caso di contraccolpo.** Il contraccolpo spinge l'utensile nella direzione opposta al movimento del disco nel punto di strappo.
- **Prestare la massima attenzione quando si lavorano angoli, bordi taglienti, ecc. Evitare di far saltellare e di danneggiare l'accessorio.** Angoli, bordi taglienti o saltelli tendono a danneggiare l'accessorio rotante, causando la perdita di controllo o un contraccolpo.
- **Non fissare una lama per l'intaglio del legno per segatrice a catena o una lama da sega dentata.** Tali lame creano frequenti contraccolpi e la perdita di controllo.

Ulteriori istruzioni di sicurezza relative alla levigatura

Non utilizzare carta per il disco di levigatura troppo grande. Osservare le raccomandazioni del produttore quando si sceglie la carta abrasiva. Carta abrasiva di dimensioni eccessive, che si estenda oltre il platorello, è soggetta a lacerazioni, può strappare e rompere il disco e creare un contraccolpo.

DESCRIZIONE FUNZIONALE

Questa levigatrice elettrica per cartongesso è progettata per levigare cartongesso e soffitti in maniera estremamente efficiente, sia per nuove realizzazioni che per lavori di ristrutturazione. Essa è destinata all'utilizzo insieme ad un aspirapolvere in modo da ridurre la polvere dispersa ed ottenere risultati di levigatura ottimali. La testa di levigatura girevole consente di ottenere risultati eccellenti nel minore tempo possibile e con il minimo sforzo.

COLLEGAMENTO ELETTRICO

La tensione di rete deve essere conforme alla tensione indicata sulla targhetta dell'utensile. L'utensile non deve mai essere utilizzato qualora venga riscontrato il danneggiamento del cavo di alimentazione. Il cavo danneggiato deve essere sostituito immediatamente da un Centro assistenza autorizzato. Non tentare di riparare autonomamente il cavo danneggiato. L'utilizzo di cavi di alimentazione danneggiati può provocare folgorazioni.

PROLUNGA

Qualora fosse necessaria una prolunga, questa deve avere una sezione sufficiente a impedire un'eccessiva caduta di tensione o il surriscaldamento. Un'eccessiva caduta di tensione riduce la potenza erogata e può provocare il guasto del motore.

DISIMBALLAGGIO

Rimuovere con cura l'utensile e tutti i componenti sfusi dalla confezione di spedizione. Conservare tutti i materiali da imballaggio fino a quando il dispositivo non sia stato esaminato e messo in funzione in maniera soddisfacente.

CONTENUTO DELLA SCATOLA

1. Sistema di levigatura per cartongesso
2. Custodia
3. Libretto delle istruzioni

NON METTERE IN FUNZIONE L'UTENSILE PRIMA DI AVERE LETTO E COMPRESO L'INTERO MANUALE DI ISTRUZIONI

PER INSTALLARE UN DISCO IN CARTA ABRASIVA

1. Staccare la spina del dispositivo.
2. Rimuovere il disco in carta abrasiva usurato, lasciando in posizione il tampone in spugna.
3. Centrare attentamente il nuovo disco in carta abrasiva e premere per posizionarlo. Il platorello con velcro garantisce un fissaggio sicuro.

ATTENZIONE: Non cercare di collegare accessori diversi dalla carta abrasiva, per evitare di danneggiare il dispositivo.

ATTENZIONE: Assicurarsi sempre che la carta abrasiva sia centrata correttamente sul tampone e verificare due volte che abbia completamente aderito. Una carta abrasiva non centrata o che non aderisce correttamente causa un'eccessiva vibrazione che potrebbe danneggiare il dispositivo.

PER SOSTITUIRE IL TAMPONE IN SPUGNA CON VELCRO

Il tampone in spugna deve essere completamente piatto per ottenere buoni risultati di levigatura. Eventuali deformazioni o danneggiamenti possono produrre una levigatura estremamente irregolare. In caso di danneggiamento, il componente deve essere sostituito. Il velcro è presente su entrambi i lati. Pertanto, per sostituire il componente, occorre staccarlo dal velcro sulla base della piastra di levigatura e applicarne uno nuovo facendo attenzione a mantenerlo perfettamente centrato.

SETOLE DELLA SPAZZOLA SUL BORDO DEL RIPARO DELLA PIASTRA DI LEVIGATURA

Le setole della spazzola che si trovano sul bordo del riparo della piastra di levigatura hanno due scopi: mantengono il disco di levigatura allineato in maniera corretta con la superficie di lavoro senza scavalcarlo e, allo stesso tempo, contribuiscono a rendere efficiente il processo di raccolta della polvere da parte dell'aspirapolvere. Un utilizzo continuativo usura le setole della spazzola.

Si consiglia di sostituire il riparo della piastra di levigatura quando le setole sono eccessivamente usurate al fine di garantire un'efficace raccolta della polvere e la stabilizzazione della testa di levigatura.

PER SOSTITUIRE IL RIPARO, PROCEDERE COME SEGUE

Tenere la piastra di levigatura con una mano e con l'altra, utilizzando la brugola (fornita in dotazione), svitare innanzitutto il bullone centrale in senso orario. Poi, utilizzare la brugola solamente per fare in modo che il bullone centrale non giri e ruotare la piastra di levigatura in senso antiorario.

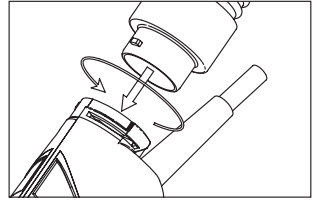


Allentamento della piastra di levigatura

Una volta rimossa la piastra di levigatura, togliere le 8 viti per rimuovere il riparo dalla base dello stesso. Per la sostituzione, applicare la procedura di rimozione nell'ordine inverso. Tutte le riparazioni devono essere affidate a un centro assistenza autorizzato.

PER INSTALLARE IL TUBO DELL'ASPIRAPOLVERE

1. Staccare la spina del dispositivo.
2. Attaccare l'innesto a baionetta del tubo dell'aspirapolvere al supporto girevole che si trova nella parte posteriore del dispositivo. Quando i codoli dell'innesto a baionetta sono completamente inseriti nelle relative fessure, fare in modo che il supporto girevole non giri e ruotare l'innesto a baionetta del tubo in senso orario per bloccarlo.
3. Per la rimozione, applicare la procedura di assemblaggio all'inverso.



ASPIRAPOLVERE

Assicurarsi che il sacchetto installato nell'aspirapolvere sia approvato e adatto alla polvere di cartongesso.

AVVERTENZA: il mancato utilizzo di sacchetti dell'aspirapolvere approvati aumenta il livello di pulviscolo dell'area di lavoro. Un'esposizione prolungata alla polvere può causare danni al sistema respiratorio.

AVVIO E ARRESTO DELL'UTENSILE

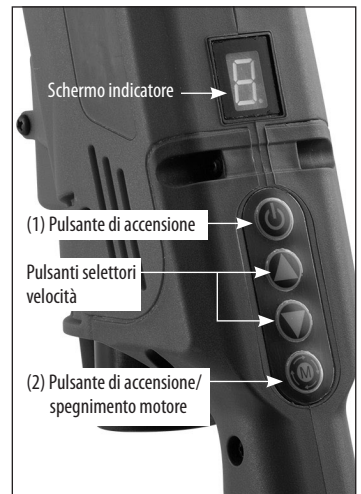
Prima di collegare l'utensile al circuito di alimentazione, assicurarsi che quest'ultimo abbia la stessa tensione specificata sulla targhetta del dispositivo.

Accensione e spegnimento del dispositivo

Accensione:

Tenendo il dispositivo con entrambe le mani, premere prima di tutto il Pulsante di accensione per mettere in tensione l'utensile, quindi premere il pulsante di accensione/spegnimento del motore per accenderlo. Prevedere e prepararsi alla coppia di avviamento al primo avvio del dispositivo.

NOTA: Una volta premuto l'interruttore motore, il controller si sincronizza con la posizione del rotore e si verifica un ritardo di 1-2 secondi prima dell'inizio della rotazione. Questa è la situazione normale.



SPEGNIMENTO:

Premere il pulsante di accensione. Dopo lo spegnimento della macchina, il disco di levigatura continua a ruotare per un po' di tempo. Assicurarsi che nessuna parte del corpo entri in contatto con il disco e non appoggiare il dispositivo mentre sta ancora girando.

REGOLAZIONE DELLA VELOCITÀ DI ROTAZIONE

La velocità della macchina può variare a seconda delle diverse mansioni da svolgere. Essa può essere regolata da 780/min a 1250/min con incrementi di 80/min premendo i pulsanti selettori della velocità "Up" e "Down". Premere "Up" per aumentare la velocità e "Down" per diminuirla. L'impostazione selezionata appare nello schermo indicatore.

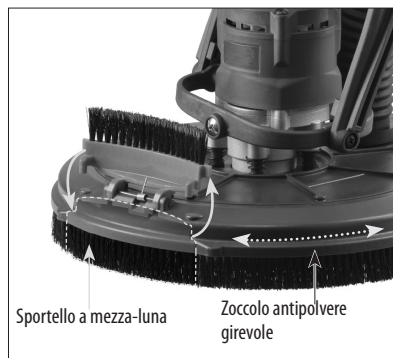
In generale, utilizzare la velocità più alta per un'asportazione rapida e la velocità più bassa per un controllo più preciso.

SPORTELLO A MEZZALUNA

Il riparo della piastra di levigatura è dotato di uno sportello a mezza-luna apribile che consente all'operatore di levigare raggiungendo anche i bordi o gli angoli. Il bordo dello zoccolo antipolvere può essere ruotato per posizionare l'apertura a qualsiasi angolo desiderato.

Per aprire, spegnere e togliere tensione al dispositivo, quindi premere lo sportello verso il basso fino a farlo scattare; a questo punto esso si inclina liberamente per l'azione della tensione della sua molla. Per chiuderlo, applicare la procedura di apertura nell'ordine inverso.

La polvere non viene raccolta perfettamente mentre lo sportello a mezza-luna è aperto; per questo occorre chiudere immediatamente lo sportello quando non è necessario.



COME UTILIZZARE L'UTENSILE

Il controllo efficace di questa potente lama necessita dell'utilizzo a due mani per garantire il massimo controllo e sicurezza. Per tenere l'utensile in maniera corretta, posizionare una mano sull'impugnatura principale e l'altra mano sull'impugnatura di spugna presente sul manico. È di vitale importanza mantenere sempre una posizione stabile, specialmente quando ci si trova su impalcature e in posizioni sopraelevate.

OPERAZIONI DI LEVIGATURA

1. Dopo avere impostato il dispositivo e l'aspirapolvere e dopo avere adottato tutte le misure e i dispositivi di sicurezza, accendere l'aspirapolvere, quindi il dispositivo. (Se si sta utilizzando un aspirapolvere con

accensione integrata, è sufficiente accendere il dispositivo.)

2. Iniziare la levigatura ed entrare in contatto con la superficie di lavoro nel modo più delicato possibile, quanto basta per mantenere la testa di levigatura in piano rispetto alla superficie.
3. Le giunzioni nella testa di levigatura consentono al disco di levigatura di seguire i contorni della superficie di lavoro.
4. La tecnica migliore è quella di effettuare passate sovrapposte e mantenere la testa in continuo movimento. Non insistere eccessivamente su una posizione al fine di evitare la formazione di segni a forma di vortice. Guadagnando esperienza, diventa più semplice ottenere risultati eccellenti.

ATTENZIONE: assicurarsi sempre che la superficie di lavoro sia bene asciutta prima di procedere alla levigatura. Una superficie umida o semi-umida porta al sovraccarico del motore, con conseguente danneggiamento dell'utensile.

NOTA: assicurarsi che la carta abrasiva in uso sia adatta alla mansione da svolgere. Una carta a grana troppo grossolana potrebbe rimuovere il materiale in maniera eccessivamente rapida per un controllo efficace. Al contrario, una carta a grana troppo fine può intasarsi troppo spesso e non riuscire a rifinire la superficie.

ATTENZIONE: fare attenzione a evitare sporgenze appuntite e chiodi, ecc. al fine di non distruggere la carta abrasiva e danneggiare anche il tampone in spugna.

MANUTENZIONE

Sulla base della frequenza necessaria, soffiare aria compressa attraverso il motore durante il funzionamento a vuoto per rimuovere la polvere eventualmente accumulatasi.

TENERE PULITO L'UTENSILE

Periodicamente, liberare tutti i passaggi dell'aria soffiando aria compressa secca. Tutte le parti in plastica devono essere pulite utilizzando un panno morbido inumidito. Non utilizzare MAI solventi per la pulizia delle parti in plastica, poiché potrebbero sciogliere o comunque danneggiare il materiale.

In caso di utilizzo di aria compressa, indossare occhiali di sicurezza.

Pulire il connettore girevole dell'aspiratore poiché una quantità eccessiva di polvere impedirebbe allo stesso di ruotare liberamente.

Qualora fosse necessario sostituire il cavo dell'alimentazione elettrica, l'operazione deve essere effettuata dal produttore o da un suo rappresentante al fine di evitare qualsiasi pericolo per la sicurezza.

AVVERTENZA: tutte le riparazioni devono essere affidate a un centro assistenza autorizzato. Eventuali riparazioni eseguite in maniera errata possono essere causa di lesioni o decesso.

PROTEZIONE DA SOVRACCARICO e TERMICA

Questo utensile indicherà che il carico massimo raccomandato è stato raggiunto riducendo la sua velocità di rotazione. Se l'operatore continua a spingere ancora di più il dispositivo, si arresta. Quando l'utensile si surriscalda, si arresta automaticamente. **Vedi "Codici di errore" di seguito per maggiori informazioni.**

ATTENZIONE: Ogni volta che l'utensile si sovraccarica o si surriscalda, continua sempre a funzionare a vuoto per alcuni minuti per poter raffreddarsi prima di riprendere il funzionamento.

CODICI DI ERRORE

E - 1	Sovraccarico corrente	Premere l'Interruttore Motore una volta per cancellare l'errore, poi premere l'Interruttore Motore ancora una volta per riavviare l'utensile
E - 2	Surriscaldamento (controller >80°C)	Quando la temperatura scende al di sotto di 60°C Premere l'Interruttore Motore una volta per cancellare l'errore, poi premere l'Interruttore Motore ancora una volta per riavviare l'utensile
E - 3	Tensione bassa: Potenza assorbita 110V-120V inferiore a 80V o potenza assorbita 220V-240V inferiore a 180V	Quando la tensione torna a valori normali, Premere l'Interruttore Motore una volta per cancellare l'errore, poi premere l'Interruttore Motore ancora una volta per riavviare l'utensile
E - 4	Tensione alta: Potenza assorbita 110V-120V superiore a 130V o potenza assorbita 220V-240V superiore a 260V	Quando la tensione torna a valori normali, Premere l'Interruttore Motore una volta per cancellare l'errore, poi premere l'Interruttore Motore ancora una volta per riavviare l'utensile
E - 2 - 5	Motore bloccato	Assicurarsi che il motore sia libero di ruotare, poi Premere l'Interruttore Motore una volta per cancellare l'errore, poi premere l'Interruttore Motore ancora una volta per riavviare l'utensile
E - 2 - 6	Il motore non riesce a ripartire dopo 4 tentativi	Premere l'Interruttore Motore una volta per cancellare l'errore, premere l'Interruttore Motore ancora una volta per riavviare l'utensile Se il problema persiste, rivolgersi ad un centro assistenza per un controllo
E - 9 - 1	Comunicazione interrotta tra il gruppo pennello interruttori e la scheda elettronica dell'azionamento durante il funzionamento	La scheda elettronica dell'azionamento cancella automaticamente il segnale: Premere l'Interruttore Motore una volta per cancellare l'errore, poi premere l'Interruttore Motore ancora una volta per riavviare l'utensile Se il problema persiste, rivolgersi ad un centro assistenza per un controllo

NOTA: Lo schermo indicatore può anche visualizzare le ore trascorse. Contattare il rivenditore per maggiori informazioni.

Informazioni rumorosità/vibrazioni

Misurate in conformità con EN 60745-2-3

Modello n.: SB9

Livello di rumorosità: Livello di pressione sonora(L_{pA}): 77.5 dB (A)

Livello di potenza sonora(L_{wA}): 88.5 dB(A)

K = 3 dB (A)

Livello vibrazioni: $a_h = 303 \text{ m/s}^2$ K = 1.5 m/s^2

Il livello di vibrazioni emesse è stato misurato in conformità con un test standardizzato esposto in EN 60745; può essere utilizzato per mettere a confronto due utensili e come valutazione preliminare dell'esposizione alle vibrazioni quando si utilizza l'utensile per le applicazioni menzionate

- l'utilizzo dell'utensile per applicazioni diverse, o con accessori diversi o in cattivo stato, può aumentare sensibilmente il livello di esposizione

- il tempo durante il quale l'utensile è spento, oppure in funzione senza tuttavia svolgere nessuna operazione vera e propria, può ridurre sensibilmente il livello di esposizione

per proteggersi dagli effetti delle vibrazioni occorre mantenere in buono stato gli utensili e i relativi accessori, tenere calde le mani, e organizzare i ritmi di lavoro

Dichiarazione di conformità CE

•Dichiariamo sotto la nostra esclusiva responsabilità che il presente prodotto è conforme alle seguenti norme o documenti standardizzati: EN 60745-1: 2009 + A11: 2010 & EN 60745-2-3: 2011 & EN 62233: 2008, EN 61000, EN 55014 in conformità con le direttive 2014/30/UE, 2006/42/CE, 2011/65/UE

•Fascicolo tecnico presso: LEE YEONG INDUSTRIAL CO., LTD., NO.2, KEJIA RD., DOULIU CITY, YUNLIN COUNTY 64057, TAIWAN

You-Chun, Liu
Gestione e progettazione

You chun Liu

Chih-Hao, Lai
Responsabile
approvazione

chih HAO LAI

LEE YEONG INDUSTRIAL CO., LTD.,
NO.2, KEJIA RD., DOULIU CITY, YUNLIN COUNTY 64057, TAIWAN 06.08.2020

LEE YEONG INDUSTRIAL CO., LTD.

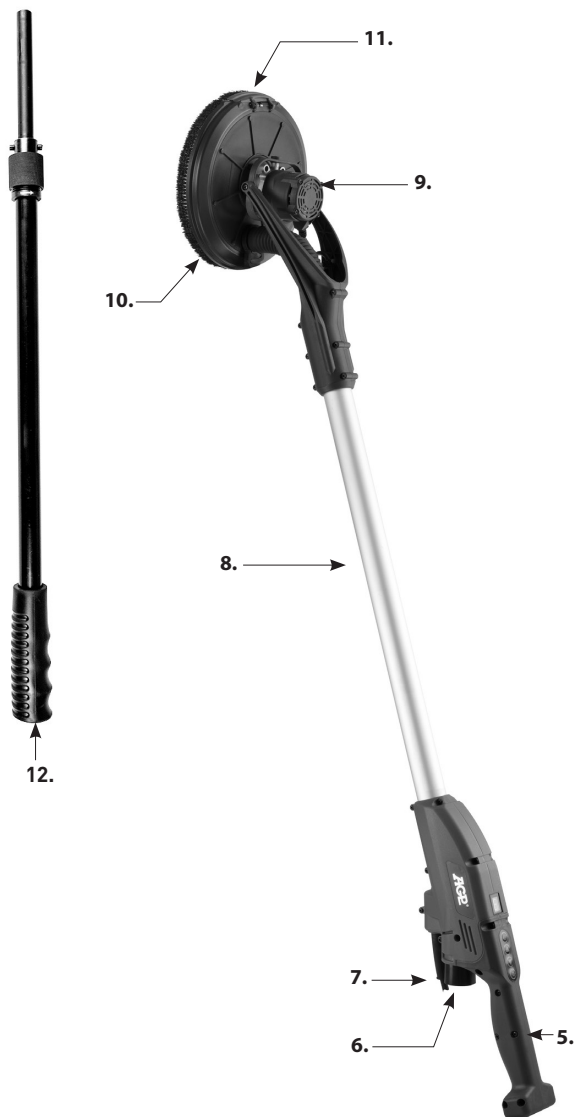
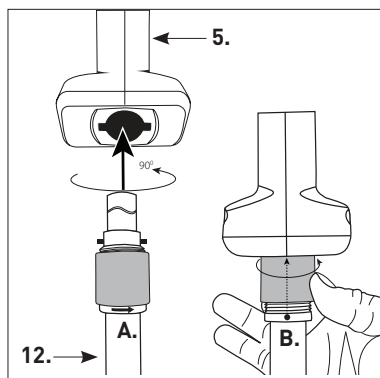
NO.2, KEJIA RD., DOULIU CITY, YUNLIN

COUNTY 64057, TAIWAN

TEL: 886-5-5518689 (REP)

Fax: 886-5-5518635

1. Startknop
2. Motor Aan-/Uit-knop
3. Snelheidsselectieknoppen
4. Indicatorscherm
5. Hoofdhandgreep
6. Vacuümbevestiging
7. Netsnoer
8. Kolom
9. Motor
10. Stofkap (draaibaar)
11. Halvemaanvormig sluitstuk
12. Verlengstuk (optioneel)



Model	SB9
Spanning	110 V - 120 V ~ 50 - 60 Hz, 220 V - 240 V ~ 50 - 60 Hz
Nullast min ⁻¹	1 000 - 1 600
Ingangsvermogen	450 W
Diameter schuurschijf	225 mm
Lengte	1,53 m
Nettogewicht	2,9 kg (6,4 lbs)

ALGEMENE VEILIGHEIDSVORSCHRIFTEN



LET OP! Lees alle veiligheidsvoorschriften en instructies. Wanneer de waarschuwingen en instructies niet in acht worden genomen, kan dit een elektrische schok, brand of ernstig letsel tot gevolg hebben.

Bewaar alle waarschuwingen en voorschriften voor toekomstig gebruik.

Het in de waarschuwingen gebruikte begrip „elektrisch gereedschap” heeft betrekking op elektrische gereedschappen voor gebruik op het stroomnet (met netsnoer) en op elektrische gereedschappen voor gebruik met een accu (zonder netsnoer).

1. WERKOMGEVING

- a. **Houd uw werkomgeving schoon en opgeruimd.** Een rommelige of onverlichte werkomgeving kan tot ongevallen leiden.
- b. **Werk met het gereedschap niet in een omgeving met explosiegevaar waarin zich brandbare vloeistoffen, gassen of stof bevinden.** Elektrische gereedschappen veroorzaken vonken die het stof of de dampen tot ontsteking kunnen brengen.
- c. **Houd kinderen en andere personen tijdens het gebruik van het elektrische gereedschap uit de buurt.** Wanneer u wordt afgeleid, kunt u de controle over het gereedschap verliezen.
- d. **Laat het elektrisch gereedschap niet lopen zonder toezicht.** Verlaat het elektrisch gereedschap pas wanneer het volledig tot stilstand gekomen is.

2. ELEKTRISCHE VEILIGHEID

- a. **De aansluitstekker van het gereedschap moet in het stopcontact passen. De stekker mag in geen geval worden veranderd. Gebruik geen adapterstekkers in combinatie met geaarde gereedschappen.** Onveranderde stekkers en passende stopcontacten beperken het risico van een elektrische schok.
- b. **Voorkom aanraking van het lichaam met geaarde oppervlakken, bijvoorbeeld van buizen, verwarmingen, fornuizen en koelkasten.** Er bestaat een verhoogd risico door een elektrische schok wanneer uw lichaam geaard is.
- c. **Houd het gereedschap uit de buurt van regen en vocht.** Het binnendringen van water in het elektrische gereedschap vergroot het risico van een elektrische schok.
- d. **Gebruik de kabel niet voor een verkeerd doel, om het gereedschap te dragen of op te hangen of om de stekker uit het stopcontact te trekken. Houd de kabel uit de buurt van hitte, olie, scherpe randen en bewegende gereedschapsdelen.** Beschadigde of in de war geraakte kabels vergroten het risico van een elektrische schok.
- e. **Wanneer u buitenshuis met elektrisch gereedschap werkt, dient u alleen verlengkabels te gebruiken die voor gebruik buitenshuis zijn goedgekeurd.** Het gebruik van een voor gebruik buitenshuis geschikte verlengkabel beperkt het risico van een elektrische schok.
- f. **Als het gebruik van het elektrische gereedschap in een vochtige omgeving onvermijdelijk is, dient u een aardlekschakelaar te gebruiken. Het gebruik van een aardlekschakelaar vermindert het risico van een elektrische schok.**

3. VEILIGHEID VAN PERSONEN

- a. **Wees alert, let goed op wat u doet en ga met verstand te werk bij het gebruik van het elektrische gereedschap. Gebruik het gereedschap niet wanneer u moe bent of onder invloed staat van drugs, alcohol of medicijnen.** Een moment van onoplettendheid bij het gebruik van het gereedschap kan tot ernstige verwondingen leiden.
- b. **Draag persoonlijke beschermende uitrusting en altijd een veiligheidsbril.** Het dragen van persoonlijke beschermende uitrusting zoals een stofmasker, slipvaste werkschoenen, een veiligheidshelm of gehoorbescherming, afhankelijk van de aard en het gebruik van het elektrische gereedschap, vermindert het risico van verwondingen.
- c. **Voorkom per ongeluk inschakelen. Controleer dat de schakelaar in de stand “UIT” staat voordat u de stekker in het stopcontact steekt.** Wanneer u bij het dragen van het gereedschap uw vinger aan de schakelaar hebt of wanneer u het gereedschap ingeschakeld op de stroomvoorziening aansluit, kan dit tot ongevallen leiden.
- d. **Verwijder instelgereedschappen of schroefsleutels voordat u het gereedschap inschakelt.** Een instelgereedschap of sleutel in een draaiend deel van het gereedschap kan tot verwondingen leiden.
- e. **Overschat uzelf niet. Zorg ervoor dat u stevig staat en steeds in evenwicht blijft.** Daardoor kunt u het gereedschap in onverwachte situaties beter onder controle houden.
- f. **Draag geschikte kleding. Draag geen wijde kleding of sieraden. Houd u haren en kleding uit de buurt van bewegende delen.** Losse kleding, sieraden of lange haren kunnen worden gegrepen door bewegende delen.
- g. **Wanneer stofafzuigings- of stofopvangvoorzieningen kunnen worden gemonteerd, dient u zich ervan te verzekeren dat deze zijn aangesloten en juist worden gebruikt.** Het gebruik van deze voorzieningen beperkt het gevaar door stof.
- h. **Zorg ervoor dat u zich als gevolg van het veelvuldige gebruik van machines niet laat leiden door gewoontevorming en de essentiële veiligheidsprincipes van de machine veronachtzaamt.** Een onvoorzichtige handeling kan binnen een fractie van een seconde ernstig letsel tot gevolg hebben.

4. GEBRUIK EN ONDERHOUD VAN ELEKTRISCHE GEREEDSCHAPPEN

- a. **Overbelast het gereedschap niet. Gebruik voor uw werkzaamheden het daarvoor bestemde elektrische gereedschap.** Met het passende elektrische gereedschap werkt u beter en veiliger binnen het aangegeven capaciteitsbereik.
- b. **Gebruik geen elektrisch gereedschap waarvan de schakelaar defect is.** Elektrisch gereedschap dat niet meer kan worden in- of uitgeschakeld, is gevaarlijk en moet worden gerepareerd.
- c. **Trek de stekker uit het stopcontact voordat u het gereedschap instelt, toebehoren wisselt of het gereedschap weglegt.** Deze voorzorgsmaatregel voorkomt onbedoeld starten van het gereedschap.
- d. **Bewaar niet-gebruikte elektrische gereedschappen buiten bereik van kinderen. Laat het gereedschap niet gebruiken door personen die er niet mee vertrouwd zijn en deze aanwijzingen niet hebben gelezen.** Elektrische gereedschappen zijn gevaarlijk wanneer deze door onervaren personen worden gebruikt.
- e. **Verzorg het gereedschap zorgvuldig. Controleer of bewegende delen van het gereedschap correct functioneren en niet vastklemmen en of onderdelen zodanig gebroken of beschadigd zijn dat de werking van het gereedschap nadelig wordt beïnvloed. Laat beschadigde delen repareren voordat u het gereedschap gebruikt.** Veel ongevallen hebben hun oorzaak in slecht onderhouden elektrische

gereedschappen.

- f. **Houd snijdende inzetgereedschappen scherp en schoon.** Zorgvuldig onderhouden snijdende inzetgereedschappen met scherpe snijkanten klemmen minder vast en zijn gemakkelijker te geleiden.
- g. **Gebruik elektrische gereedschappen, toebehoren, inzetgereedschappen en dergelijke volgens deze aanwijzingen en zoals voor dit speciale gereedschapstype voorgeschreven. Let daarbij op de arbeidsomstandigheden en de uit te voeren werkzaamheden.** Het gebruik van elektrische gereedschappen voor andere dan de voorziene toepassingen kan tot gevaarlijke situaties leiden.
- h. **Zorg ervoor dat de handgrepen droog, schoon en vrij van olie en vet zijn.** Zijn de handgrepen glad, dan is het niet mogelijk het elektrogereedschap in onverwachte situaties veilig te bedienen en onder controle te houden.

5.SERVICE

- a. **Laat het gereedschap alleen repareren door gekwalificeerd en vakkundig personeel en alleen met originele vervangingsonderdelen.** Daarmee wordt gewaarborgd dat de veiligheid van het gereedschap in stand blijft.
- b. **Gebruik voor reparaties en onderhoud alleen originele onderdelen.** Het gebruik van accessoires of reserveonderdelen die hier niet voor bestemd zijn, kan leiden tot een elektrische schok of lichamelijk letsel.

Symbolen gebruikt in deze handleiding

Vvolt

Aampère

HZhertz

Wwatt

~wijselspanning

n_0 onbelast toerental

min^{-1} omwentelingen per minute



.....waarschuwing voor gevaar



.....Lees deze handleiding



.....Draag altijd oogbescherming



.....Draag altijd stofmasker



.....Draag altijd oorbescherming



.....Draag veiligheidshelm



Elektrische gereedschappen, toebehoren en verpakkingen moeten op een voor het milieu verantwoorde wijze worden hergebruikt. Gooi elektrische gereedschappen niet bij het huisvuil.

VEILIGHEIDSinSTRUCTIES



WAARSCHUWING! Lees alle veiligheidswaarschuwingen en alle instructies. Als de waarschuwingen en instructies niet worden nageleefd, kan dit leiden tot elektrische schokken, brand en/of ernstige letsels. Bewaar alle waarschuwingen en instructies voor toekomstig gebruik.

- **Dit elektrisch gereedschap is bedoeld om als schuurmachine gebruikt te worden. Lees alle veiligheidswaarschuwingen, illustraties en specificaties die bij dit elektrisch gereedschap meegeleverd worden.** Als de hieronder beschreven instructies niet allemaal worden nageleefd, kan dit leiden tot elektrische schokken, brand en/of ernstige letsels.
- **Het is afgeraden om handelingen als slijpen, schuren, staalborstelschuren, polijsten of doorslijpen met deze machine uit te voeren.** Handelingen waar de machine niet voor ontworpen werd, kunnen gevaar inhouden en tot persoonlijke letsels leiden.
- **Gebruik geen accessoires die niet specifiek ontworpen en aanbevolen werden door de fabrikant van het gereedschap.** Alleen het feit dat het accessoire aan uw machine bevestigd kan worden, garandeert nog niet dat het veilig werkt.
- **Het nominale toerental van het accessoire moet minimaal gelijk zijn aan de maximumsnelheid die op de machine weergegeven wordt.** Accessoires die sneller dan hun nominale toerental draaien, kunnen afbreken en wegvliegen.
- **De buitendiameter en de dikte van uw accessoire moeten binnen de capaciteitsbepaling van uw elektrisch gereedschap vallen.** Accessoires van een onjuiste grootte kunnen niet goed beveiligd of onder controle gehouden worden.
- **Accessoires met schroefdraadbevestiging moeten overeenstemmen met de schroefdraad van de slijper.** Voor accessoires die met flenzen bevestigd worden, moet het asgat van het accessoire in de plaatsingsdiameter van de flens passen. Accessoires die niet op het bevestigingsmateriaal van de machine passen zullen uit balans geraken en hevig trillen, wat een verlies van controle kan veroorzaken.
- **Gebruik geen beschadigd accessoire. Inspecteer het accessoire voor elk gebruik: schuurschijven op inkepingen en barsten, steunschijven op barsten, scheuren of overmatige slijtage, staalborstels op losse of gearbsten staaldraden. Machine of accessoire laten vallen? Controleer op schade of installeer een onbeschadigd accessoire. Inspecteer en installeer eerst een accessoire; ga vervolgens samen met eventuele omstaanders uit de buurt van het roterende accessoirevlak staan en laat de machine een minuut lang op maximale onbelaste snelheid draaien.** Normaal gezien breken beschadigde accessoires af tijdens deze test.
- **Draag persoonlijke beschermingsmiddelen. Gebruik naargelang de toepassing een gezichtsschermbil, veiligheidsstofbril of veiligheidsbril.** Draag indien nodig ook een stofmasker, gehoorbeschermers, handschoenen en een atelierschort die in staat is om kleine slijp- of werkstukfragmenten tegen te houden. De oogbescherming moet weerstaan aan rondvliegende resten van verschillende toepassingen. Het stofmasker of inhalatietoestel moet de deeltjes afkomstig van uw werken kunnen filteren. Lange blootstelling aan lawaai van hoge intensiteit kan gehoorverlies veroorzaken
- **Houd omstaanders op een veilige afstand van uw werkzone. Elke persoon die de werkzone betreedt, moet persoonlijke beschermingsmiddelen dragen.** Stukken van het werkstuk of van een afgebroken accessoire kunnen wegvliegen en tot verder dan de onmiddellijke werkzone letsels veroorzaken.
- **Houd de machine alleen vast bij de grijppoppervlakken als u werkzaamheden uitvoert waarbij het snijaccessoire in aanraking kan komen met verborgen bedrading of met het snoer van de machine.**

Als een snijaccessoire een snoer onder spanning doorsnijdt, kunnen de blootliggende metalen delen van het elektrische gereedschap ook onder stroom komen te staan, waardoor de operator een schok kan krijgen.

- **Houd het snoer weg van het draaiende accessoire.** Als u de controle verliest, kan het snoer doorgesneden of gekneld worden, waardoor uw arm in het draaiende accessoire getrokken kan worden.
- **Leg de machine nooit neer voordat het accessoire volledig tot stilstand gekomen is.** Het draaiende accessoire kan in aanraking komen met het oppervlak, waardoor u de controle over het elektrisch gereedschap verliest.
- **Laat het elektrisch gereedschap niet draaien wanneer u het naast u houdt.** Ongewild contact met het draaiende accessoire kan uw kleding beknellen, waardoor het accessoire in uw lichaam kan draaien.
- **Maak regelmatig de luchtinlaten van het elektrisch gereedschap schoon.** De ventilator van de motor zuigt stof naar binnen in de behuizing en buitensporige ophoping van verpoederd metaal kan elektrische gevaren veroorzaken.
- **Bedien het elektrisch gereedschap niet in de buurt van brandbaar materiaal.** Vonken kunnen dit materiaal doen ontvlammen.
- **Gebruik geen accessoires waarvoor koelvloeistoffen nodig zijn** Het gebruik van water of andere koelvloeistoffen kan elektrocutie of een elektrische schok veroorzaken.

Terugslag en aanverwante waarschuwingen

Terugslag is een plotse reactie op een schijf, steunschijf, borstel of welk ander draaiend accessoire dan ook dat gekneld raakt of vastloopt. De oorzaak van de knelling of het vastlopen zorgt ervoor dat het draaiende accessoire snel tot stilstand komt. Dit zorgt er op zijn beurt voor dat het ongecontroleerde elektrische gereedschap in de richting tegengesteld aan de draairichting van het accessoire geforceerd wordt. Als een schuurschijf bijvoorbeeld gekneld raakt of vastloopt door het werkstuk, dan kan de rand van de schijf die het klem punt binnegaat zich vastzetten in het oppervlak van het materiaal, waardoor de schijf eruit kan ontsnappen of kan wegspringen. De schijf kan zowel naar de operator als weg van de operator springen, afhankelijk van de richting waarin de schijf beweegt op het moment van klemming. In deze omstandigheden kunnen schuurschijven ook breken. Terugslag is het resultaat van een verkeerd gebruik en/of van onjuiste gebruikprocedures of -omstandigheden. Dit fenomeen kan vermeden worden door degelijke voorzorgsmaatregelen te nemen, zoals hieronder beschreven.

- **Houd de greep van het elektrisch gereedschap stevig vast en positioneer uw lichaam en arm zodanig dat u de terugslagkrachten kunt opvangen. Gebruik, indien beschikbaar, altijd de hulphandgreep om optimaal controle te hebben over een terugslag of koppelreactie tijdens het opstarten.** Mits de juiste voorzorgen kunnen koppelreacties of terugslagkrachten door de operator gecontroleerd worden.
- **Plaats uw hand nooit in de buurt van een draaiend accessoire** Het accessoire kan over uw hand terugslaan.
- **Positioneer uw lichaam niet in de zone waarnaar de machine zich bij een terugslag zal bewegen.** Bij een terugslag springt het werktuig op het moment van vastlopen weg in de richting tegengesteld aan de draairichting van de schijf.
- **Wees extra voorzichtig bij het werken in hoeken, aan scherpe randen, enz. Vermijd dat het accessoire opspringt of vastloopt.** Hoeken, scherpe randen of opspringen zorgen er vaak voor dat het roterende accessoire vastloopt. Dit kan tot verlies van controle of een terugslag leiden.
- **Gebruik geen zaagketting, houtsnijdend blad of getand zaagblad.** Zulke bladen zorgen vaak voor

een terugslag of controleverlies.

Speciale veiligheidsinstructies voor schuren

Gebruik geen te groot schuurpapier in verhouding tot de schijf Volg de aanbevelingen van de fabrikant bij het kiezen van schuurpapier. Groter schuurpapier dan de schuurschijf betekent gevaar op snijwonden en de schuurmachine kan daardoor vastlopen, de schijf kan scheuren of een terugslag veroorzaken.

FUNCTIONELE BESCHRIJVING

Deze elektrische schuurmachine voor gipsplaten is speciaal ontworpen om zo efficiënt mogelijk gipsplaten of wanden en plafonds in pleister te schuren bij zowel nieuwbouw als renovatie. De schuurmachine is ontworpen voor gebruik met een stofzuiger om zo weinig mogelijk stof te veroorzaken en de beste schuurresultaten te bekomen. De zwenkbare schuurkop zorgt voor uitstekende resultaten met een minimum aan tijd en moeite.

ELEKTRISCHE AANSLUITING

De netwerkspanning moet vallen binnen de spanning die is aangegeven op het naamplaatje van de machine. Het gereedschap mag onder geen omstandigheden worden gebruikt als de voedingskabel is beschadigd. Een beschadigde kabel moet onmiddellijk worden vervangen door een geautoriseerd klantenservicecentrum. Probeer een beschadigde kabel niet zelf te repareren. Het gebruik van beschadigde voedingskabels kan leiden tot elektrische schokken.

VERLENGKABELS

Als een verlengkabel nodig is, moet deze een voldoende doorsnede hebben om een te hoge spanningsdaling of oververhitting te voorkomen. Een te hoge spanningsdaling vermindert de output waardoor de motor kan uitvallen.

UITPAKKEN

Verwijder het gereedschap en alle losse onderdelen voorzichtig uit de verzendverpakking. Houd alle verpakkingsmaterialen bij tot u de machine heeft geïnspecteerd en op bevredigende wijze heeft gebruikt.

INHOUD VAN DE DOOS

1. Schuurmachine voor gipsplaten
2. Draagtas
3. Instructiehandleiding

GEBRUIK DIT GEREEDSCHAP NIET VOORDAT U DE VOLLEDIGE INSTRUCTIEHANDLEIDING GELEZEN EN BEGREPEN HEEFT

SCHUURPAPIER PLAATSEN

1. Trek de stekker uit de machine.
2. Verwijder het versleten schuurpapier en laat de sponspad op zijn plaats.
3. Centreer voorzichtig het nieuwe schuurpapier en druk dit op zijn plaats. Het wordt stevig vastgehouden door de klittenbandbevestiging.

OPGELET: Probeer geen enkel ander accessoire dan schuurpapier te bevestigen, dit kan de machine beschadigen.

OPGELET: Let er steeds op dat het schuurpapier goed gecentreerd is op de steunschijf en controleer zorgvuldig dat het volledig en goed hecht. Schuurpapier dat niet gecentreerd is of slecht hecht, leidt tot buitensporige trilling wat de machine kan beschadigen.

VOOR VERVANGING VAN DE SPONSPAD MET KLITTENBANDBEVESTIGING

De sponspad moet perfect vlak zijn om goede schuurresultaten te krijgen. Als de pad vervormd of beschadigd is, zal deze zeer ongelijkmatig schuren. Vervang de pad altijd als deze beschadigd is. Aan beide zijden zit een klittenbandbevestiging, dus om het te vervangen, trekt u deze los van de klittenbandbevestiging op de schuurplaatbasis en brengt u, zeer zorgvuldig en perfect gecentreerd, een nieuwe aan.

DE BORSTELHAREN OP DE RAND VAN HET SCHUURPLAATDEKSEL

De borstelharen aan de rand van de schuurplaatdeksel hebben twee functies: ze houden de schuurschijf goed uitgelijnd met het werkoppervlak zonder uit te steken en ze helpen ook bij het efficiënt verzamelen van stof door de stofzuiger. Deze borstelharen zullen bij langdurig gebruik verslijten.

Het schuurplaatdeksel moet worden vervangen wanneer de borstelharen versleten zijn om een efficiënte stofopvang en stabilisatie van de schuurkop te garanderen.

VOLG DEZE STAPPEN OM DE KAP TE VERVANGEN

Houd de schuurplaat in de ene hand vast en maak met de andere hand, met behulp van de meegeleverde L-inbussleutel, eerst de middelste bout rechtsom los. Gebruik vervolgens alleen de L-inbussleutel om te voorkomen dat de middelste bout losdraait en draai de schuurplaat linksom los.



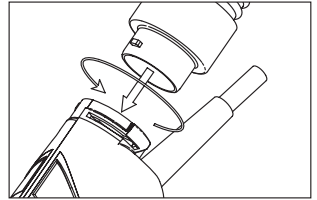
Losmaken van de schuurplaat

Wanneer de schuurplaat verwijderd is, verwijder dan de 8 schroeven om het schuurplaatdeksel te verwijderen van de schuurdekselbasis.

Voor vervanging volgt u de omgekeerde volgorde als voor verwijdering. Vertrouw alle reparaties toe aan een erkend servicecentrum.

DE STOFZUIGERSLANG INSTALLEREN

1. Trek de stekker uit de machine.
2. Steek de bajonetsluiting van de stofzuigerslang in de draaibare houder aan de achterkant van de machine. Wanneer de tangetjes van de bajonetsluiting volledig in de sleuven zijn gestoken, vermijdt u dat de draaivoet kan draaien en draait u de bajonetsluiting van de slang rechthoekig om te vergrendelen.
3. Voor verwijdering volgt u de omgekeerde procedure als voor montage.



DE STOFZUIGER

Zorg ervoor dat er een zak in uw stofzuiger is geïnstalleerd die is goedgekeurd en geclassificeerd voor gipsplaatstof.

WAARSCHUWING: Als u geen goedgekeurde stofzak in uw stofzuiger gebruikt, neemt de hoeveelheid stof in de lucht in de werkruimte toe. Langdurige blootstelling aan dergelijk stof kan schade aan de luchtwegen veroorzaken.

STARTEN EN STOPPEN VAN HET GEREEDSCHAP

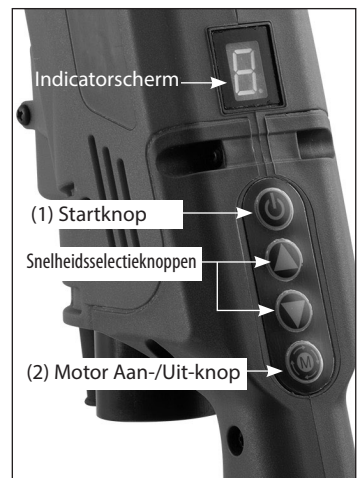
Zorg ervoor dat de spanning van het stroomnet dezelfde is als die op het specificatieplaatje van de machine voordat het werktuig met het stroomnet wordt verbonden.

De machine aan- en uitzetten

Aanzetten:

Terwijl u de machine met beide handen vasthoudt, drukt u eerst op de Start- knop om het gereedschap van stroom te voorzien en vervolgens drukt u op de motor aan-/uit-knop om het gereedschap te starten. Anticipeer en wees klaar voor het startkoppel wanneer de machine voor het eerst start.

OPMERKING: Na het indrukken van de motorschakelaar



synchroniseert de controller met de rotorpositie en zal er een vertraging van 1-2 seconden zijn vooraleer deze begint te draaien. Dit is normaal.

Uitschakelen:

Druk op de startknop. Nadat de machine is uitgeschakeld, zal de schuurschijf nog eventjes draaien. Zorg ervoor dat geen van uw lichaamsdelen in contact komt met de schijf en leg de machine niet neer wanneer ze nog draait!

DE DRAAISNELHEID AANPASSEN

De snelheid van de machine varieert voor verschillende taken. Deze kan worden aangepast van 780/min. tot 1250/min. in stappen van 80/min. door op de snelheidsselectieknoppen "Omhoog" en "Omlaag" te drukken. Druk op "Omhoog" om de snelheid te verhogen en "Omlaag" om de snelheid te verlagen. De geselecteerde instelling zal verschijnen op het indicatorscherm.

Over het algemeen zou u hogere snelheden moeten gebruiken voor een snellere materiaalafname en lagere snelheden voor een nauwkeurigere controle.

HALVEMAANVORMIG SLUITSTUK

Het schuurplaatdeksel is voorzien van een te openen halvemaanvormig sluitstuk waardoor de gebruiker tot aan de rand of in een hoek kan schuren. De rand van de stofkap kan ook worden gedraaid om de opening in elke gewenste hoek te plaatsen.

Om deze te openen, moet u eerst de machine uitschakelen en spanningsloos maken, vervolgens de deur recht naar beneden drukken totdat deze vastklikt en dan kan hij onder zijn veerspanning omhoog klappen. Om te sluiten doet u het tegenovergestelde van openen.

Stofopvang is niet ideaal wanneer het halvemaanvormige sluitstuk wordt geopend, dus de deur moet onmiddellijk worden gesloten wanneer deze niet nodig is.



GEBRUIK VAN HET GEREEDSCHAP

Voor een doeltreffende controle over deze krachtige zaag moet ze met twee handen worden bediend, om een maximale veiligheid en controle te verzekeren. Om de machine juist vast te houden, houdt u één hand op de hoofdhandgreep en de andere hand op de sponsgreep op de kolom. Het is van cruciaal belang om te allen tijde stabiel te blijven staan, vooral wanneer u op een steiger of stelling staat.

SCHUURHANDELINGEN

1. Zodra de machine en de stofzuiger zijn opgesteld en alle veiligheidsmaatregelen en -uitrusting zijn aangebracht, begint u met het inschakelen van de stofzuiger en vervolgens de machine. (Als u een stofzuiger met geïntegreerde schakelaar gebruikt, zet u de machine gewoon aan.)
2. Begin met schuren en maak voorzichtig zo licht mogelijk contact met het werkoppervlak, net genoeg om de schuurkop plat tegen het oppervlak te houden.
3. Door de voegen in de schuurkop kan de schuurschijf de contouren van het werkoppervlak volgen.
4. De beste techniek is om overlappende bewegingen te maken en de kop constant te bewegen. Sta nooit te lang stil op een bepaalde plaats, anders krijgt u schuursporen. Met ervaring is het heel eenvoudig om uitstekende resultaten te behalen.

OPGELET: Zorg er altijd voor dat het werkoppervlak volledig droog is voordat u gaat schuren. Een nat of half nat oppervlak zal de motor overbelasten, wat kan leiden tot schade aan het gereedschap.

OPMERKING: Zorg ervoor dat het schuurpapier dat u gebruikt geschikt is voor de taak. Papier met een te grove korrel kan het materiaal te snel wegnemen zodat u de controle verliest. Terwijl papier met een te fijne korrel vaak volloopt waardoor het oppervlak niet meer geschuurd wordt.

OPGELET: Zorg ervoor dat u puntige uitsteeksels en spijkers, enz. vermijdt. Dit zal het schuurpapier wegvegen en waarschijnlijk ook de sponspad beschadigen.

ONDERHOUD

Blaas zo vaak als nodig perslucht door de motor terwijl deze onbelast draait, om het verzamelde stof te verwijderen.

GEREEDSCHAP SCHOON HOUDEN

Blaas regelmatig alle luchtdoorgangen uit met droge perslucht. Alle plastic onderdelen moeten worden gereinigd met een zachte vochtige doek. Gebruik NOOIT oplosmiddelen voor de reiniging van plastic onderdelen. Het materiaal kan hierdoor worden opgelost of op een andere manier worden beschadigd.

Draag een veiligheidsbril bij het gebruik van perslucht.

Reinig de vacuümwartelconnector omdat te veel stof ervoor zorgt dat deze niet vrij kan draaien.

Als een vervanging van de voedingskabel noodzakelijk is, moet deze worden uitgevoerd door de fabrikant of door een vertegenwoordiger van de fabrikant, om veiligheidsgevaar te voorkomen.

WAARSCHUWING: Alle reparaties moeten worden toevertrouwd aan een geautoriseerd servicecentrum. Verkeerd uitgevoerde reparaties kunnen leiden tot letsels of tot dodelijke ongevallen.

BESCHERMING TEGEN OVERBELASTING en THERMISCHE BEVEILIGING

Dit gereedschap geeft aan dat de maximaal aanbevolen belasting bereikt werd door de draaisnelheid aan te passen. Als de gebruiker hard op de machine blijft duwen, zal deze stoppen. Wanneer het gereedschap oververhit raakt, zal dit ook automatisch stoppen. **Zie onderstaande "Foutcodes" voor meer informatie.**

OPGELET: Laat de machine, als ze overbelast is of oververhit raakt, altijd eerst enkele minuten onbelast draaien zodat deze afkoelt voordat u terug aan het werk gaat.

FOUTCODES

E - 1	Stroomoverbelasting	Druk één keer op de Motorschakelaar om de fout te wissen, druk daarna nogmaals op de Motorschakelaar om het gereedschap opnieuw te starten.
E - 2	Oververhitting (controller > 80°C)	Wanneer de temperatuur onder 60°C valt, druk dan één keer op de Motorschakelaar om de fout te wissen, druk daarna nogmaals op de Motorschakelaar om het gereedschap opnieuw te starten.
E - 3	Lage spanning: ingangsvermogen van 110 V - 120 V onder 80 V of ingangsvermogen van 220 V - 240 V onder 180 V	Wanneer de spanning weer naar normaal terugkeert, druk dan één keer op de Motorschakelaar om de fout te wissen, druk daarna nogmaals op de Motorschakelaar om het gereedschap opnieuw te starten.
E - 4	Hoge spanning: ingangsvermogen van 110 V - 120 V boven 130 V of ingangsvermogen van 220 V - 240 V boven 260 V	Wanneer de spanning weer naar normaal terugkeert, druk dan één keer op de Motorschakelaar om de fout te wissen, druk daarna nogmaals op de Motorschakelaar om het gereedschap opnieuw te starten
E - 2 - 5	Motor geblokkeerd	Zorg ervoor dat de motor vrij kan draaien, druk dan één keer op de Motorschakelaar om de fout te wissen, druk daarna nogmaals op de Motorschakelaar om het gereedschap opnieuw te starten.
E - 2 - 6	Motor start niet na 4 pogingen	Druk één keer op de Motorschakelaar om de fout te wissen, druk daarna nogmaals op de Motorschakelaar om het gereedschap opnieuw te starten. Als het probleem aanhoudt, breng het gereedschap dan voor nazicht naar een servicecentrum
E - 9 - 1	Verlies van communicatie tussen het schakelpaneel en het paneel met de aandrijfelektronica tijdens de werking	Het paneel met de aandrijfelektronica wist het signaal: Druk één keer op de Motorschakelaar om de fout te wissen, druk daarna nogmaals op de Motorschakelaar om het gereedschap opnieuw te starten. Als het probleem aanhoudt, breng het gereedschap dan voor nazicht naar een servicecentrum

OPMERKING: Het indicatorscherm kan ook de verstreken uren tonen. Neem contact op met uw dealer voor verdere details.

Geluid- en trillingsinformatie

Gemeten volgens EN 60745-2-3

Modelnr. : SB9

Geluidsniveau:	Geluidsdrukniveau(L_{pA}): 77.5 dB (A)	
	Geluidsvermogensniveau(L_{wA}): 88.5 dB (A)	K=3 dB (A)
Vibratieniveau:	a_h : 3.3 m/s ²	K:1.5 m/s ²

Het in deze gebruiksaanwijzing vermelde trillingsniveau is gemeten met een volgens EN 60745 genormeerde meetmethode en kan worden gebruikt om elektrische gereedschappen met elkaar te vergelijken. Het is ook geschikt voor een voorlopige inschatting van de trillingsbelasting.

- Het gebruik van het toestel voor andere toepassingen, of met andere of slecht onderhouden accessoires, kan een significante toename van de blootstelling tot gevolg hebben
- Wanneer het gereedschap is uitgeschakeld of onbelast draait, kan een significante daling van de blootstelling tot gevolg hebben.

Leg aanvullende veiligheidsmaatregelen ter bescherming van de bediener tegen het effect van trillingen vast, zoals: Onderhoud van elektrische gereedschappen en inzetgereedschappen, warm houden van de handen, organisatie van het arbeidsproces.

CE Conformiteitsverklaring

We verklaren op onze verantwoordelijkheid dat het onder „Technische gegevens” beschreven product aan alle desbetreffende bepalingen van de richtlijnen EN 60745-1: 2009 + A11: 2010 & EN 60745-2-3: 2011 & EN 62233: 2008, EN 61000, EN 55014 met de volgende normen overeenstemt 2014/30/EU, 2006/42/EC, 2011/65/EU

•Technische fiche bij: LEE YEONG INDUSTRIAL CO., LTD., NO.2, KEJIA RD., DOULIU CITY, YUNLIN COUNTY 64057, TAIWAN

You-Chun, Liu
Operation & Engineering

You chun Liu

Chih-Hao, Lai
Approval Manager

chih hao lai

LEE YEONG INDUSTRIAL CO., LTD.,
NO.2, KEJIA RD., DOULIU CITY, YUNLIN COUNTY 64057, TAIWAN 06.08.2020

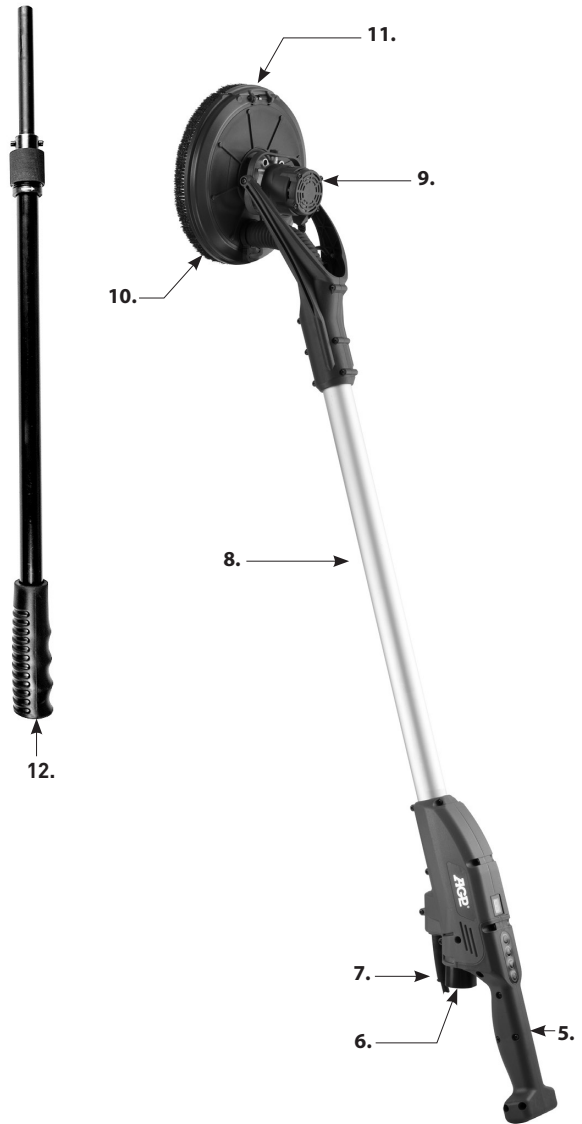
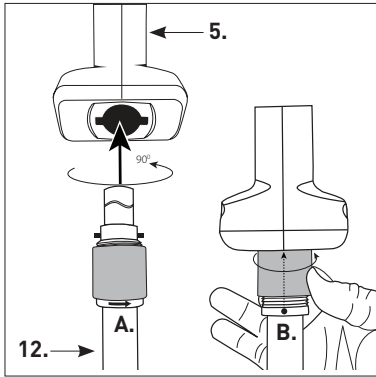
LEE YEONG INDUSTRIAL CO., LTD.

NO.2, KEJIA RD., DOULIU CITY,
YUNLIN COUNTY 64057, TAIWAN

TEL: 886-5-5518689 (REP)

Fax: 886-5-5518635

1. Tænd/sluk-knap
2. Motor On/Off knap
3. Hastighedsknapper
4. Indikatorskærm
5. Hovedhåndtag
6. Vakuumpre-tryk
7. Strømforsyningsledning
8. Skaft
9. Motor
10. Støvsikkert (drejelig)
11. Halvmånedør
12. Forlængelsesbjælke (valgfri)



Model	SB9
Spænding	110 V - 120 V ~ 50 - 60 Hz, 220 V - 240 V ~ 50 - 60 Hz
Ingen belastning min ⁻¹	1 000 - 1 600
Strømindgang	450 W
Slibeskivediameter	225 mm
Længde	1,53 m
Nettovægt	2,9 kg (6,4 lbs.)

GENERELLE SIKKERHEDSREGLER



ADVARSEL! Læs alle sikkerhedsadvarsler og alle instruktioner. Manglende overholdelse af advarsler og instruktioner kan medføre elektrisk stød, brand og/eller alvorlig skade.

Gem alle advarsler og instruktioner til fremtidig reference.

Udtrykket "elværktøj" i advarslerne henviser til dit lysnetdrevne (med ledning) elværktøj eller batteridrevne (ledningsfri) elværktøj.

1. SIKKERHED PÅ ARBEJDSPLADSEN

- Hold arbejdsområdet rent og godt oplyst.** Rodede og mørke arbejdsområder kan forårsage ulykker.
- Brug ikke elværktøj i eksplosive omgivelser, såsom i nærheden af brandfarlige væsker, gasser eller støv.** Elværktøj skaber gnister, der kan antænde støvet eller dampene.
- Hold børn og omkringstående væk, mens du bruger et elværktøj.** Forstyrrelser kan medføre, at du mister kontrollen.
- Efterlad aldrig elværktøjet uden opsyn.** Efterlad kun maskinen, når værktøjet i brug er standset helt.

2. ELEKTRISK SIKKERHED

- Strømstik på elektrisk værktøj skal passe til stikkontakten. Stikket må aldrig ændres på nogen måde. Brug ikke adapterstik sammen med jordede (jordforbunden) elværktøj.** Uændrede stik og passende stikkontakter reducerer risikoen for elektrisk stød.
- Undgå kropskontakt med jordede eller jordforbundne overflader, såsom rør, radiatorer, komfurer og køleskabe.** Der er en øget risiko for elektrisk stød, hvis din krop er jordet eller jordforbunden.
- Elværktøj må ikke udsættes for regn eller våde forhold.** Indtrængning af vand i et elværktøj øger risikoen for elektrisk stød.
- Misbrug ikke ledningen. Brug aldrig ledningen til at bære, trække eller tage stikket ud af elværktøjet. Hold ledningen væk fra varme, olie, skarpe kanter eller bevægelige dele.** Beskadigede eller sammenfiltrede ledninger øger risikoen for elektrisk stød.
- Når et elværktøj bruges udendørs, skal der bruges en forlængerledning, der er egnet til udendørs brug.** Brug af ledning til udendørs brug reducerer risikoen for elektrisk stød.
- Hvis det er uundgåeligt at betjene et elværktøj på et fugtigt sted, skal du bruge en beskyttet strømforsyning (RCD).** Brug af en RCD reducerer risikoen for elektrisk stød.

3. PERSONLIG SIKKERHED

- Vær opmærksom, se hvad du laver og brug den sunde fornuft, når du betjener et elværktøj. Brug ikke et elværktøj, mens du er træt eller under påvirkning af stoffer, alkohol eller medicin.** Et øjeblik med uopmærksomhed, mens du bruger elværktøj, kan medføre alvorlig personskade.
- Brug beskyttelsesudstyr. Bær altid beskyttelsesbriller.** Beskyttelsesudstyr som støvmaske, skridsikre sikkerhedssko, hjelm eller høreværn der anvendes til passende forhold, reducerer personskader.
- Forhindre utilsigtet start. Sørg for at kontakten er i off-position før tilslutning til strømkilden og/eller batteriet, og når værktøjet løftes eller bæres.** At bære elværktøj med fingeren på kontakten eller

strømførende elværktøj, der er tændt, kan forårsage ulykker.

- d. **Fjern indstillingsværktøj eller skruenøgler, før elværktøjet startes.** En skruenøgle eller en nøgle, der efterlades fastgjort til en roterende del af elværktøjet, kan medføre personskade.
- e. **Stræk ikke for langt. Hold en forsvarlig fodstilling og balance på alle tidspunkter.** Dette giver bedre kontrol af elværktøjet i uventede situationer.
- f. **Klæd dig ordentligt. Bær ikke løst tøj eller smykker. Hold dit hår og tøj væk fra bevægelige dele.** Løstsiddende tøj, smykker eller langt hår kan blive fanget i bevægelige dele.
- g. **Hvis enheder er udstyret med tilslutning af støvudsugnings- og opsamlingsfaciliteter, sørg for at disse er tilsluttet og bruges korrekt.** Brug af støvopsamling kan begrænse farer forårsaget af støv.
- h. **Lad ikke kendskab opnået ved hyppig brug af værktøj gøre dig selv sikker og ignorere principperne om sikkerhed for værktøj.** En skødesløs handling kan forårsage alvorlig skade på en brøkdel af et sekund.

4. ELVÆRKTØJ BRUG OG PLEJE

- a. **Tving ikke elværktøj. Brug det korrekte elværktøj til din valgte anvendelse.** Det rigtige elværktøj gør arbejdet bedre og mere sikkert med den hastighed, som det blev designet til.
- b. **Brug ikke elværktøjet, hvis kontakten ikke kan tænde og slukke for det.** Ethvert elværktøj, som ikke kan styres med kontakten, er farligt og skal repareres.
- c. **Træk stikket ud af stikkontakten og/eller tag batteriet fra elværktøjet, inden der foretages justeringer, udskiftning af udstyr eller elværktøj lægges til opbevaring.** Sådanne forebyggende sikkerhedsforanstaltninger mindsker risikoen for at starte elværktøjet ved et uheld.
- d. **Opbevar ubenyttet elværktøj uden for børns rækkevidde, og tillad ikke personer, der ikke kender elværktøjet eller disse instruktioner at betjene elværktøjet.** Elværktøj er farligt i hænderne på uerfarne brugere.
- e. **Vedligehold elværktøj. Kontroller for fejljustering eller binding af bevægelige dele, brud på dele, og enhver anden tilstand, der kan påvirke elværktøjets funktion. Hvis det er beskadiget, skal værktøjet repareres før brug.** Mange ulykker skyldes dårligt vedligeholdt elværktøj.
- f. **Hold skæreværktøjer skarpe og rene.** Korrekt opbevaret skæreværktøj med skarpe skærekanter er mindre tilbøjelige til at binde og er lettere at styre.
- g. **Brug elværktøjet, udstyr og værktøjsbits mv. i overensstemmelse med disse instruktioner under hensyntagen til arbejdsvilkårene og det arbejde, der skal udføres.** Brug af elværktøjet til andre formål end de tilsigtede kan medføre en farlig situation.
- h. **Hold håndtagene tørre, rene og fri for olie og fedt.** Glatte håndtag giver ikke sikker håndtering og kontrol af værktøjet i uventede situationer.

5. SERVICE

- a. **Få dit elværktøj serviceret af en autoriseret reparatør, der kun bruger identiske reservedele.** Dette sikrer, at elværktøjets sikkerhed opretholdes.
- b. **Brug kun originale dele til reparation og vedligeholdelse.** Brug af ukurant udstyr eller reservedele kan medføre elektrisk stød eller andre skader.

Symboler, brugt i denne vejledning

V..... volt
 A..... ampere
 Hz..... hertz
 W..... watt
 ~..... vekselstrøm
 n_0nominel hastighed
 min^{-1} omdrejninger eller frem- og
 tilbagegående bevægelse pr. minut

advarsel om generel fare



..... læs disse instruktioner



.....bær altid beskyttelsesbriller



.....bær altid en støvmaske.



.....bær altid høreværn



.....bær altid sikkerhedsgodkendt hjelm



smid ikke elværktøj, udstyr og emballage ud sammen med almindeligt affald

SIKKERHEDSINSTRUKTIONER



ADVARSEL! Læs alle sikkerhedsadvarsler og alle instruktioner. Manglende overholdelse af advarsler og instruktioner kan resultere i elektrisk stød, brand og/eller alvorlige kvæstelser. Gem alle advarsler og instruktioner til fremtidig reference.

- **Dette el-værktøj er beregnet til at blive brugt som slibemaskine. Læs alle sikkerhedsadvarsler, instruktioner, illustrationer og specifikationer, der følger med dette el-værktøj.** Manglende overholdelse af nedenstående instruktioner kan resultere i elektrisk stød, brand og/eller alvorlig personskade.
- **Funktioner som fræsning, stålborstning eller polering og afskæring anbefales ikke med dette el-værktøj.** Funktioner, som el-værktøjet ikke er designet til, kan skabe en faresituation og forårsage personskade.
- **Brug ikke tilbehør, som ikke er specifikt designet og anbefalet af værktøjsproducenten.** En mulig fastgørelse af tilbehøret til el-værktøjet sikrer ikke en sikker anvendelse.
- **Den tilladte hastighed for tilbehøret skal være mindst lige så høj som den max. hastighed, der er angivet på el-værktøjet.** Tilbehør, der drejer hurtigere end tilladt, kan blive ødelagt eller flyve fra hinanden.
- **Tilbehørets udvendige diameter og tykkelse skal svare til målene på dit el-værktøj.** Forkert størrelse tilbehør kan ikke afskærmes eller kontrolleres tilstrækkeligt.
- **Tilbehør med gevindindsats skal passe nøjagtigt på slibespindlens gevind. Ved tilbehør, der monteres med en flange, skal huldiameteren i tilbehøret passe til flangensholdediameter.** Tilbehør, der ikke fastgøres nøjagtigt på el-værktøjet, drejer ujævnt, vibrerer meget stærkt og kan medføre, at man taber kontrollen.
- **Brug ikke beskadiget tilbehør. Kontrollér altid før brug tilbehør som f.eks. slibeskiver for afsplintninger og revner, slibebagskiver for revner, rifter eller stærkt slid, trådbørster for løse eller brækkede tråde. Tabes el-værktøjet eller tilbehøret på jorden, skal du kontrollere, om det er beskadiget; anvend evt. et ubeskadiget tilbehør. Når tilbehøret er kontrolleret og indsat, skal du**

holde dig selv og personer, der befinder sig i nærheden, uden for det niveau, hvor indsatsværktøjet roterer, og lade el-værktøjet køre i et minut i tomgang ved højeste hastighed. Beskudiget tilbehør brækker normalt fra hinanden i løbet af denne testkørsel.

- **Bær personligt beskyttelsesudstyr. Brug, afhængig af anvendelsen, ansigtsskærm, øjenværn eller beskyttelsesbriller. Brug passende helmaske, høreværn, handsker og specialforklæde, der er i stand til at stoppe små slibe- eller materialepartikler.** Øjenbeskyttelsen skal være i stand til at stoppe flyvende partikler genereret ved forskelligt arbejde. Støvmaske eller åndedrætsværn skal være i stand til at filtrere partikler, der opstår under arbejdet. Langvarig udsættelse for støj med høj intensitet kan forårsage høretab.
- **Hold andre personer i sikker afstand fra arbejdsområdet. Enhver, der kommer ind på arbejdsområdet, skal bære personligt beskyttelsesudstyr.** Brudstykker fra arbejdsemnet eller fra et afbrækket tilbehør kan flyve væk og forårsage personskade ud over det direkte arbejdsområde.
- **Hold altid el-værktøjet i de isolerede gribeflader, når der udføres et arbejde, hvor skærudstyret kan komme i kontakt med skjult ledningsføring eller med værktøjets egen ledning.** Skærende tilbehør, der kommer i kontakt med en "strømførende" ledning, kan gøre metaldele i el-værktøjet "strømførende", hvilket kan føre til elektriskstød.
- **Hold ledningen væk fra det roterende tilbehør.** Hvis du mister kontrollen, kan ledningen blive skåret over eller sætte sig fast, og din hånd eller arm kan blive trukket ind i det roterende tilbehør.
- **Læg aldrig el-værktøjet til side, før tilbehøret står helt stille.** Det roterende tilbehør kan gribe fat i fralægningsfladen, hvorved du kan tabe kontrollen over el-værktøjet.
- **Lad ikke el-værktøjet køre, mens du bærer det ved din side.** Det roterende tilbehør kan utilsigtet gribe fat i dit tøj og trække tilbehøret ind mod din krop.
- **Rengør regelmæssigt el-værktøjets ventilationsåbninger.** Motorens blæser trækker støvet inde i huset, og overdreven ophobning af pulveriseret metal kan forårsage elektriske farer.
- **Brug ikke el-værktøjet i nærheden af brandfarlige materialer.** Gnister kunne antænde disse materialer.
- **Brug ikke tilbehør, der kræver flydende kølemidler.** Brug af vand eller andre flydende kølemidler kan resultere i livstruende stød.

Tilbageslag og relaterede advarsler

Tilbageslag er en pludselig reaktion på et klemt eller fastgjort roterende hjul, bagklædning, børste eller andet tilbehør. Klemning eller blokering forårsager, at det roterende tilbehør pludseligt stopper, hvilket igen medfører, at det ukontrollerede el-værktøj tvinges i den modsatte retning af tilbehørets rotation på blokeringspunktet. For eksempel, hvis et slibehjul bliver fastklemt eller blokeret af arbejdsemnet, kan kanten af det hjul, der kommer ind i klemmepunktet, dykker ned i emnets overflade, hvilket får hjulet til at hoppe ud. Hjulet kan enten hoppe mod eller væk fra operatøren, afhængigt af retningen på hjulets bevægelse på det tidspunkt, hvor det klemmes. Slibende hjul kan også brække under disse forhold. Tilbageslag er resultatet af misbrug af el-værktøj og/eller forkerte betjeningsprocedurer eller forhold og kan undgås ved at tage passende forholdsregler som angivet nedenfor.

- **Hold godt fast i el-værktøjet og sørg for at både krop og arme befinder sig i en position, der kan klare tilbageslagskræfterne. Anvend altid ekstrahåndtaget, hvis et sådant findes, for at have så meget kontrol som muligt over tilbageslagskræfterne eller reaktionsmomenterne, når maskinen kører op i hastighed.** Operatøren kan beherske tilbageslags- og reaktionskræfterne med egnede sikkerhedsforanstaltninger.
- **Placér aldrig din hånd i nærheden af det roterende tilbehør.** Tilbehøret kan bevæge sig hen over din

hånd i forbindelse med et tilbageslag.

- **Placér ikke din krop i det område, hvor el-værktøjet bevæger sig, for der kan opstå tilbageslag.** Tilbageslaget driver el-værktøjet i modsat retning af hjulets bevægelse på blokeringsstedet.
- **Arbejd særlig forsigtig i områder som f.eks. hjørner, skarpe kanter osv.** Det skal forhindres, at tilbehøret slår tilbage fra emnet og sætter sig fast. Det roterende tilbehør har tendens til at sætte sig fast, når det anvendes i hjørner, skarpe kanter, eller hvis det springer tilbage. Dette medfører, at man taber kontrollen eller tilbageslag.
- **Brug ikke kædesavklinger eller tandede savklinger.** Sådanne klinger skaber hyppigt tilbageslag og tab af kontrol.

Særlige sikkerhedsinstruktioner ved slibning

Anvend ikke overdimensioneret slibepapir. Følg producentens anbefalinger ved valg af slibepapir.

Slibepapirer, der rager ud over slibebagskiven, kan føre til kvæstelser eller blokering eller iturivning af slibepapirerne eller til tilbageslag.

FUNKTIONSBESKRIVELSE

Denne elektriske gipslibemaskine er specielt designet til den mest effektive slibning af gipsplader eller gipsvægge og -lofter til både nybyggeri og renoveringsarbejde. Det er designet til at blive brugt sammen med en støvsuger for at få mindst mulig støv og de bedste sliberesultater. Det drejelige slibehoved giver fremragende resultater på mindst mulig tid og med færre kræfter.

ELTILSLUTNING

Netværksspændingen skal være inden for det spændingsområde, der er angivet på værktøjets navneplade. Værktøjet må under ingen omstændigheder bruges, hvis strømforsyningskablet er beskadiget. Et beskadiget kabel skal straks udskiftes af et autoriseret kundeservicecenter. Forsøg ikke selv at reparere det beskadigede kabel. Brug af beskadigede strømkabler kan føre til elektrisk stød.

FORLÆNGERLEDNING

Hvis en forlængerledning er påkrævet, skal den have et tilstrækkeligt tværsnit for at forhindre et for stort spændingsfald eller overophedning. Et uforholdsmæssigt fald i spænding reducerer effekten og kan føre til motorsvigt.

UDPAKNING

Fjern forsigtigt værktøjet og alle løse ting fra forsendelsesemballagen.

Opbevar alt pakkemateriale, indtil du har inspiceret og betjent maskinen på tilfredsstillende vis.

PAKKENS INDHOLD

1. Gipsslibemaskine
2. Bæretaske
3. Instruktionsmanual

BRUG IKKE DETTE VÆRKTØJ, INDEN DU HAR LÆST OG FORSTÅET HELE INSTRUKTIONSMANUALEN

INSTALLATION AF SLIBEPAPIRSKIVE

1. Afbryd maskinen.
2. Fjern den slidte slibepapirskive og efterlad svampe-bagklædningen på plads.
3. Centrér forsigtigt den nye slibepapirskive, og pres på plads. Det holdes sikkert på plads ved hjælp af burrebånd.

FORSIGTIG: Forsøg ikke at tilslutte andet tilbehør end sandpapir, dette kan føre til beskadigelse af maskinen.

FORSIGTIG: Sørg altid for at sikre, at sandpapiret er godt centreret på bagpladen, og kontrollér en ekstra gang for at bekræfte, at det er klæbet helt fast. Ikke centreret eller dårligt vedhæftet sandpapir vil føre til overdreven vibration, hvilket kan beskadige maskinen.

UDSKIFTNING AF BURREBÅNDS-SVAMPEPUDEN

Svampepuden skal være perfekt flad for at få gode sliberesultater. Hvis den er deformeret eller beskadiget, vil det forårsage en meget ujævn slibning. Udskift den altid, når den er beskadiget. Der er burrebånd på begge sider, så for at udskifte den, skal den fjernes fra burrebåndet på slibepladebasen, og en ny anbringes, mens man sørger omhyggeligt for at holde den perfekt centreret.

TRÅDBØRSTERNE PÅ KANTEN AF SLIBEPLADEDÆKSLET

Trådbørsterne på kanten af slibeplicatedækslet tjener to formål, de holder slibeskiven korrekt på linje med arbejdsoverfladen uden hulning, og de hjælper med til at støvsugeren bliver mere effektiv i støvopsamlingen. Disse trådbørster slides ved fortsat brug.

Slibeplicatedækslet skal udskiftes, når børsten er for slidt til at sikre effektiv støvopsamling og stabilisering af slibehovedet.

FØLG DISSE TRIN FOR AT UDSKIFTE DÆKSLET

Hold slibepladen i den ene hånd og med den anden løsnes ved hjælp af L-sekskantnøglen (medfølgende) først centerbolten ved drejning med uret. Brug derefter kun L-hex-skruenøglen til at fastholde centerbolten fra at

dreje og drej slibepladen mod uret.

Når slibepladen er fjernet, skal de 8 skruer skrues ud for at fjerne slibepladedækslet fra slibepladens base.

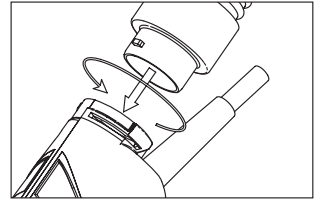
Udskiftning er det modsatte af fjernelse. Betro alle reparationer til et autoriseret servicecenter.



Løsning af slibepladen

INSTALLATION AF STØVSUGERSLANGE

1. Afbryd maskinen.
2. Sæt støvsugerslangens bajonetmontering i drejebeslaget bag på maskinen. Når bajonetmonterings spids er helt indsat i åbningerne, skal du holde drejebeslaget fast for at det ikke drejer og drej slangens bajonetmontering med uret for at låse.
3. Fjernelse udføres i modsat rækkefølge af montering.



STØVSUGEREN

Sørg for, at du har en pose installeret i din støvsuger, og at denne er godkendt og klassificeret til gipsstøv.

ADVARSEL: Hvis der ikke anvendes en godkendt støvpose i dit vakuum, øges niveauet på luftbåret støv i arbejdsområdet. Langvarig eksponering for sådant støv kan forårsage åndedrætskade.

START OG STOP VÆRKTØJ

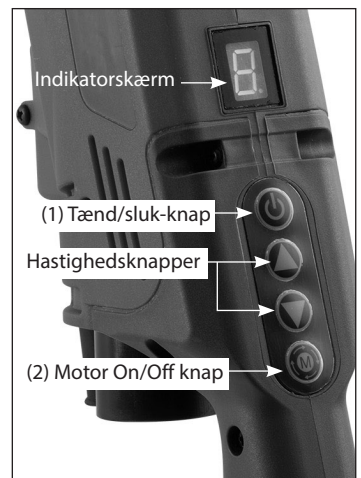
Sørg for, at strømkredsspændingen er den samme som vist på maskinens specifikationsplade, før værktøjet tilsluttes strømkredsen.

Tænd og sluk for maskinen

For at tænde:

Hold fast i maskinen med begge hænder, tryk først på tænd/sluk knappen for at aktivere værktøjet, tryk derefter på knappen Motor On/Off for at starte værktøjet. Forvent, og vær klar til et startmoment når maskinen først starter.

BEMÆRK: Når der bliver trykket på afbryder, synkroniseres regulatoren med rotorpositionen, og der vil være 1-2 sekunders forsinkelse, før den begynder at rotere. Dette er normalt.



For at slukke:

Tryk på tænd/sluk-knappen. Når maskinen er slået fra, roterer slibeskiven stadig i et stykke tid. Pas på, at dele af din krop ikke kommer i kontakt med skiven og sæt ikke maskinen ned, mens den stadig roterer!

JUSTERING AF ROTATIONSHASTIGHEDEN

Maskinens hastighed er variabel, så den kan tilpasses forskellige opgaver. Den kan justeres fra 780/min op til 1250/min i trin på 80/min ved at trykke på hastighedsvælgerknapperne "Op" og "Ned". Tryk på "Op" for at øge hastigheden og "Ned" for at reducere hastigheden. Den valgte indstilling vises på indikatorskærmen. Generelt skal du bruge højere hastigheder til hurtigt grov slibning og lavere hastigheder for en mere præcis kontrol.

HALVMÅNEDØREN

Slibepladedækslet er udstyret med en oplukkelig halvmånedør, der giver operatøren mulighed for at slibe helt op til kanten eller ind i et hjørne. Kanten af støvskørtet er også drejelig for at kunne placere åbningen i enhver ønsket vinkel.

For at åbne skal du først slukke og afkoble maskinen, og tryk derefter døren lige ned, indtil den klikker, og den kan derefter frit bevæge sig op under fjederspændingen. Lukning er det modsatte af åbning.

Støvsopsamling vil ikke være ideel, mens halvmånedøren åbnes, så døren skal lukkes øjeblikkeligt, når det ikke længere er nødvendigt.



SÅDAN ANVENDES VÆRKTØJET

Effektiv styring af denne kraftfulde sav kræver tohåndsbetjening for maksimal sikkerhed og kontrol. Det rette greb er at holde med den ene hånd på hovedhåndtaget og den anden hånd på svampegrebet på skaftet. Det er meget vigtigt at have et stabilt fodfæste på alle tidspunkter, især når du står på stilladser eller pæle.

SLIBEARBEJDE

1. Når maskinen og støvsugeren er installeret og alle sikkerhedsforanstaltninger og udstyr er på plads, skal du først tænde støvsugeren og derefter maskinen. (Hvis du bruger en støvsuger med integreret kobling, skal du blot tænde for maskinen.)
2. Begynd på slibning og kontakt arbejdsoverfladen forsigtigt og så let som muligt - lige nok til at holde slibehovedet fladt mod overfladen.
3. Samlingerne i slibehovedet sørger for at slibeskiven følger konturerne på arbejdsoverfladen.

4. Den bedste teknik er at bruge overlappende fejebevægelser og holde hovedet i konstant bevægelse. Stop aldrig for længe på et sted, ellers vil der opstå hvirvelmærker. Med erfaring bliver det meget let at skabe fremragende resultater.

FORSIGTIG: Sørg altid for, at arbejdsfladen er helt tør før slibning. En våd eller fugtig overflade vil overbelaste motoren, hvilket fører til beskadigelse af værktøjet.

BEMÆRK: Sørg for, at det sandpapir, der anvendes, passer til opgaven. For groft kornet papir fjerner muligvis materiale for hurtigt til at kunne gennemføre en kontrol. Mens en alt for fint kornet papir kan tilstoppes for ofte og ikke slibe overfladen ned.

FORSIGTIG: Pas på at undgå spidse fremspring og søm osv. Dette vil ødelægge sandpapiret og sandsynligvis også skade svampepuden.

VEDLIGEHOLDELSE

Blæs så ofte som nødvendigt trykluft gennem motoren, mens værktøjet kører uden belastning for at udrense akkumuleret støv.

HOLD VÆRKTØJET RENT

Blæs jævnligt alle luftpassager ud med tør trykluft. Alle plastdele skal rengøres med en blød, fugtig klud. Brug ALDRIG opløsningsmidler til rengøring af plastdele. De kan muligvis opløse eller på anden måde beskadige materialet.

Brug sikkerhedsbriller, mens trykluft anvendes.

Rengør støvsugerens drejekontakt, da for meget støv vil forhindre den i at dreje frit.

Hvis udskiftning af strømkablet er nødvendigt, skal dette ske af fabrikanten eller dennes agent for at undgå en sikkerhedsrisiko.

ADVARSEL: Alle reparationer skal overlades til et autoriseret servicecenter. Forkert udførte reparationer kan føre til personskade eller død.

OVERBELASTNING og TERMISK BESKYTTELSE

Dette værktøj viser, at den maksimale anbefalede belastning er nået ved at nedsætte dens omdrejningshastighed. Hvis operatøren fortsætter med at skubbe maskinen hårdere, stopper den. Når værktøjet overophedes, stopper det også automatisk. **Se "Fejlkoder" nedenfor for yderligere information.**

FORSIGTIG: Når værktøjet overbelastes eller overophedes, skal det altid køres uden belastning i nogle få minutter for at lade det afkøle, inden arbejdet fortsættes.

FEJLKODER

E - 1	Strøm overbelastning	Tryk én gang på afbryderen for at fjerne fejlen, og tryk derefter på afbryderen en gang til for at genstarte værktøjet
E - 2	Overophedning (regulator >80°C)	Tryk, når temperaturen falder til under 60 °C, på afbryderen en gang for at fjerne fejlen, og tryk derefter på afbryderen en gang til for at genstarte værktøjet
E - 3	Lav spænding: 110V-120V input under 80V eller 220V-240V input under 180V	Tryk, når spændingen vender tilbage til det normale, på afbryderen en gang for at fjerne fejlen, og tryk derefter på afbryderen en gang til for at genstarte værktøjet
E - 4	Høj spænding: 110V-120V input over 130V eller 220V-240V input over 260V	Tryk, når spændingen vender tilbage til det normale, på afbryderen en gang for at fjerne fejlen, og tryk derefter på afbryderen en gang til for at genstarte værktøjet
E - 2 - 5	Motor blokeret	Vær sikker på, at motoren kan dreje frit, og tryk derefter på afbryderen en gang for at fjerne fejlen, og tryk derefter på afbryderen en gang til for at genstarte værktøjet
E - 2 - 6	Motor vil ikke genstarte efter 4. forsøg	Tryk på afbryderen en gang for at fjerne fejlen, og tryk derefter på afbryderen en gang til for at genstarte værktøjet. Bring værktøjet til servicecentret for kontrol, hvis problemet fortsætter
E - 9 - 1	Tab af kommunikation mellem afbryderpanelet og drevets elektronikkort under drift	Kør elektronikpladen vil automatisk rydde signalet: Tryk på afbryderen en gang for at fjerne fejlen, og tryk derefter på afbryderen en gang til for at genstarte værktøjet. Bring værktøjet til servicecentret for kontrol, hvis problemet fortsætter

BEMÆRK: Indikatorskærmen kan også vise forløbne timer. Se forhandleren for yderligere oplysninger.

Støj-/vibrationsinformation

Målt i overensstemmelse med EN 60745-2-3

Model nr.: SB9

Støjniveau: Lydtrykniveau (L_{pA}): 77.5 dB(A)

Lydeffektniveau (L_{WA}): 88.5 dB(A) $K=3$ dB

Vibrationsniveau: $a_h = 3.3 \text{ m/s}^2$

$K = 1.5 \text{ m/s}^2$

Vibrationsemissionsniveauet er målt i overensstemmelse med en standardiseret test angivet i EN 60745; det kan bruges til at sammenligne et værktøj med et andet og som en indledende vurdering af eksponering for vibrationer, når værktøjet bruges til de nævnte applikationer

- brug af værktøjet til forskellige applikationer eller med andet eller dårligt vedligeholdt tilbehør kan øge eksponeringsniveauet markant

- de tidspunkter, hvor værktøjet er slukket, eller når det kører, men ikke rent faktisk udfører et arbejde, kan eksponeringsniveauet reduceres markant

beskyt dig selv mod virkningerne fra vibrationer ved at vedligeholde værktøjet og dets tilbehør, holde dine hænder varme og organisere dine arbejdsmønstre

CE-overensstemmelseserklæring

• Vi erklærer på eget ansvar, at dette produkt er i overensstemmelse med følgende standarder eller standardiserede dokumenter: EN 60745-1: 2009 + A11: 2010; EN 60745-2-3: 2011 + A2:2013+A11:2014+A12:2014+A13:2015 EN 61000, EN 55014 i overensstemmelse med forordningerne 2014/30/EU, 2006/42/EC, 2011/65/EU

• Teknisk fil: LEE YEONG INDUSTRIAL CO., LTD., NO.2, KEJIA RD., DOULIU CITY, YUNLIN COUNTY 64057, TAIWAN

You-Chun, Liu
Operation & Engineering

You Chun Liu

Chih-Hao, Lai
Approval Manager

chih hao lai

LEE YEONG INDUSTRIAL CO., LTD.,
NO.2, KEJIA RD., DOULIU CITY, YUNLIN COUNTY 64057, TAIWAN 06.08.2020

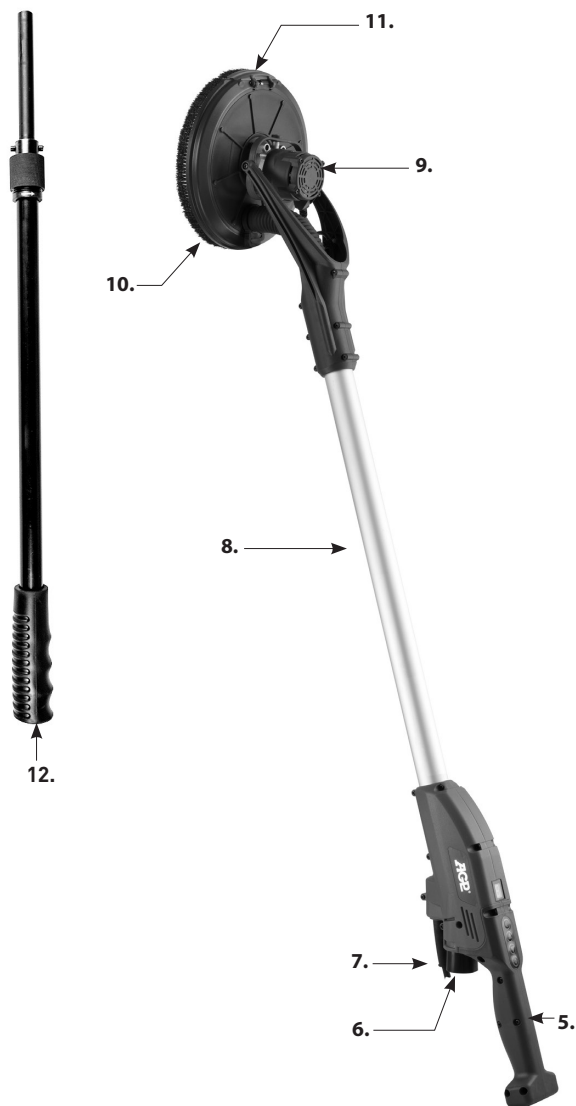
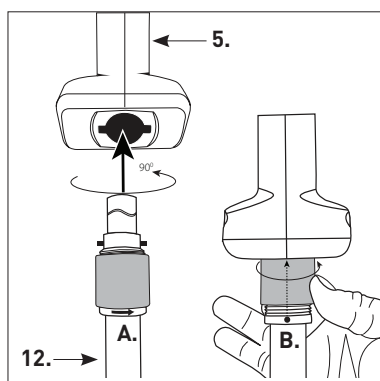
LEE YEONG INDUSTRIAL CO., LTD.

NO.2, KEJIA RD., DOULIU CITY,
YUNLIN COUNTY 64057, TAIWAN

TEL: 886-5-5518689 (REP)

Fax: 886-5-5518635

1. Strømknapp
2. Motor På-/Av-knapp
3. Knapper for hastighetsvalg
4. Indikatorskjerm
5. Hovedhåndtak
6. Svingbar holder for støvsuger
7. Strømforsyningsledning
8. Stang
9. Motor
10. Støvsjørt (kan dreies)
11. Halvmånedør
12. Forlengelseslinje (valgfritt)



Modell	SB9
Spenning	110 V - 120 V ~ 50 - 60 Hz, 220 V - 240 V ~ 50 - 60 Hz
Uten belastning min ⁻¹	1 000 - 1 600
Strøminggang	450 W
Pusseskivens diameter	225 mm
Lengde	1,53 m
Nettovekt	2,9 kg (6,4 pund)

GENERELLE SIKKERHETSREGLER



ADVARSEL! Les alle sikkerhetsadvarsler og -instruksjoner! Unnlattelse av å følge advarslene og instruksjonene kan føre til elektrisk støt, brann og/eller alvorlige personskader.

Ta vare på alle varsler og instruksjoner for senere referanse.

Begrepet "el-verktøy" i advarslene refererer til strømnnett-drevet (med ledning) el-verktøy eller batteridrevet (trådløst) verktøy.

1. SIKKERHET PÅ ARBEIDSPLASSEN

- Hold arbeidsplassen ren og godt opplyst.** Rotete og mørke områder inviterer til ulykker.
- Bruk aldri el-verktøy i eksplorative atmosfærer, som for eksempel i nærheten av brennbare væsker, gasser eller støv.** El-verktøy skaper gnister som kan antenne støv eller damp.
- Hold barn og tilskuere unna når du bruker et el-verktøy.** Distraksjoner kan føre til at du mister kontrollen.
- La aldri el-verktøyet være uten tilsyn.** Sett bare maskinen fra deg når verktøyet som er i bruk har stoppet helt opp.

2. ELEKTRISK SIKKERHET

- Støpselet til el-verktøyet må passe til stikkkontakten. Støpselet må ikke endres på noen måte. Bruk aldri adapterstøpsler med jordforbundet (jordet) verktøy.** Støpsler som ikke er endret og samsvarende stikkontakter vil redusere faren for elektrisk støt.
- Unngå kroppskontakt med jordforbundne eller jordede overflater, som rør, radiatorer, stekeovner og kjøleskap.** Det er økt fare for elektrisk støt dersom kroppen din er forbundet til jord eller jordet.
- Ikke utsett el-verktøy for regn eller våte forhold.** Vann som trenger inn u et el-verktøy vil øke faren for elektrisk støt.
- Ikke mishandle ledningen. Ikke ta tak i ledningen for å bære, trekke eller koble fra et el-verktøy. Hold ledningen vekk fra varme, olje, skarpe kanter eller bevegelige deler.** Skadede eller vikledede ledninger øker faren for elektrisk støt.
- Bruk en skjøteledning som er egnet for utendørs bruk når du bruker et el-verktøy utendørs.** Bruk av en skjøteledning som er egnet for utendørs bruk reduserer faren for elektrisk støt.
- Hvis det er uunngåelig å bruke et el-verktøy på et fuktig sted, må du bruke en beskyttet strømforsyning (RCD).** Bruk av en RCD reduserer faren for elektrisk støt.

3. PERSONLIG SIKKERHET

- Vær på vakt, se hva du gjør og bruk fornuft når du bruker et el-verktøy. Ikke bruk et el-verktøy dersom du er sliten eller under påvirkning av stoffer, alkohol eller medisiner.** Et lite uoppmerksomt øyeblikk under bruken av el-verktøy kan føre til alvorlige personskader.
- Bruk personlig verneutstyr. Bruk alltid øyebeskyttelse.** Verneutstyr som støvmaske, skliskre sko, hjelm eller hørselsvern som brukes under passende forhold, vil redusere personskader.
- Unngå utilsiktet oppstart. Kontroller at bryteren er i Av-posisjon før du kobler til strømkilden og/**

eller batteripakken, løfter opp eller bærer verktøyet. Å bære et el-verktøy med fingeren på bryteren eller sette inn kontakten på el-verktøy med bryteren på øker muligheten for ulykker.

- d. Fjern ethvert justeringsverktøy før du slår på el-verktøyet.** En skiftnøkkel eller annen nøkkel som er festet til en roterende del av el-verktøyet kan føre til personskader.
- e. Ikke strekk deg for mye. Hold riktig fotstilling og balanse til enhver tid.** Dette gir deg en bedre kontroll over el-verktøyet i uventede situasjoner.
- f. Kle deg riktig. Ikke bruk løshengende klær eller smykker. Hold håret og klærne dine borte fra bevegelige deler.** Løshengende klær, smykker eller langt hår kan fanges i de bevegelige delene.
- g. Dersom apparatet er levert med støvsuger- og støvoppfangertilkobling, skal disse være koblet til og brukt på en riktig måte.** Bruk av støvoppfanger kan redusere støvrelaterte farer.
- h. Ikke la kjennskap som du har fått ved å bruke verktøy ofte gjøre at du blir selvtilfreds og ignorerer sikkerhetsprinsippene for verktøy.** En uoppmerksom handling kan forårsake alvorlige personskader i løpet av under ett sekund.

4. BRUK OG STELL AV EL-VERKTØY

- a. Ikke overbelast el-verktøyet. Bruk et riktig el-verktøy for den jobben du skal gjøre.** Et riktig el-verktøy vil gjøre jobben bedre og sikrere i den hastigheten som det er konstruert for.
- b. Ikke bruk el-verktøyet dersom bryteren ikke slår det på eller av.** Ethvert el-verktøy som ikke kan styres av bryteren er farlig og må repareres.
- c. Koble støpselet fra strømkilden og/eller batteripakken fra el-verktøyet før du foretar justeringer, bytter tilbehør eller lagrer el-verktøyet.** Slike forebyggende sikkerhetstiltak reduserer risikoen for at el-verktøyet starter ved et uhell.
- d. Oppbevar el-verktøy som ikke brukes utenfor barns rekkevidde, og ikke la personer som er ukjente med el-verktøyet eller disse instruksjonene bruke dette.** El-verktøy er farlige i hendene på uopplærte brukere.
- e. Vedlikehold el-verktøyet. Kontroller for feiljustering eller bevegelige deler som sitter fast, brudd på deler og enhver annen tilstand som kan påvirke el-verktøyet drift. El-verktøyet må repareres før bruk dersom det er skadet.** Mange ulykker er forårsaket fordi el-verktøyet er dårlig vedlikeholdt.
- f. Hold skjæreverktøy skarpe og rene.** Skikkelig vedlikeholdte el-verktøy med skarp skjæreegg vil ikke sette seg fast så lett og er lettere å kontrollere.
- g. Bruk el-verktøyet, dets tilbehør og verktøydeler osv. i henhold til disse instruksjonene, og ta hensyn til arbeidsforholdene og arbeidet som skal utføres.** Bruk av el-verktøyet for oppgaver som det ikke er beregnet for kan føre til farlige situasjoner.
- h. Hold håndtakene tørre, rene og frie for olje og fett.** Glatte håndtak vil ikke gi en sikker håndtering og kontroll av verktøyet i uventede situasjoner.

5. SERVICE

- a. Få servicen på el-verktøyet ditt utført av en kvalifisert fagmann, og bruk kun identiske reservedeler.** Dette vil sikre at sikkerheten til el-verktøyet opprettholdes.
- b. Bruk kun originale deler for reparasjoner og vedlikehold.** Enhver bruk av inkompatibelt tilbehør eller reservedeler kan føre til elektriske støt eller andre personskader.

Symboler som brukes i denne veiledningen

V.....volt

A.....ampere

Hz.....hertz

W..... watt

~..... Vekselstrøm

n_0 nominell hastighet

Min⁻¹..... omdreininger eller stempeltakt
per minutt



.....advarsel om generell far



.....les disse instruksjonene



.....bruk alltid øyebeskyttelse.



.....bruk alltid støvmaske.



.....Bruk alltid hørselsvern



.....Bruk sikkerhetsgodkjent hjelm



Ikke avhend elektrisk verktøy, tilbehør eller emballasje sammen med husholdningsavfall

SIKKERHETSINSTRUKSJONER



ADVARSEL! Les alle sikkerhetsadvarsler og -instruksjoner! Unnlatelse av å følge advarslene og instruksjonene kan føre til elektrisk støt, brann og/eller alvorlige personskader. Ta vare på alle varsler og instruksjoner for senere referanse.

- **Dette el-verktøyet er ment å fungere som en pussemaskin. Les alle sikkerhetsadvarsler, instruksjoner, illustrasjoner og spesifikasjoner som følger med dette el-verktøyet.** Unnlatelse av å følge instruksjonene som er listet opp nedenfor kan føre til elektrisk støt, brann og/eller alvorlige personskader.
- **Operasjoner som sliping av metall, stålbørsting, polering og avskjæring anbefales ikke å utføres med dette elektroverktøyet.** Operasjoner som el-verktøyet ikke er konstruert for, kan forårsake farer og personskader.
- **Ikke bruk tilbehør som ikke er spesielt designet og anbefalt av verktøyprodusenten.** Bare fordi tilbehøret kan kobles til el-verktøyet, garanterer ikke det en sikker drift.
- **Tilbehørets nominelle hastighet må være minst lik den maksimale hastigheten som er merket på el-verktøyet.** Tilbehør som går raskere enn deres nominelle hastighet, kan ødelegges og fly fra hverandre.
- **Utvendig diameter og tykkelsen på tilbehøret må være innenfor kapasitetsgrensene for el-verktøyet ditt.** Man kan ikke beskytte seg mot eller kontrollere tilbehør med feil størrelse på en tilstrekkelig måte.
- **Gjenget montering av tilbehør må samsvare med sliperens spindelgjenger. For tilbehør som er montert med flenser, må akselhullet på tilbehøret passe til flensens plasseringdiameter.** Tilbehør som ikke samsvarer med maskinvaren som monteres på el-verktøyet, vil miste balansen, vibrere for mye og kan føre til tap av kontroll.

- **Ikke bruk skadet tilbehør. Før hver bruk må tilbehøret inspiseres, for eksempel for å se om slipehullet har flak og sprekker, flenger eller overdreven slitasje på støtteputen, eller om stålborsten har løse eller sprukne tråder. Dersom el-verktøyet eller tilbehøret faller ned, må det undersøkes at de ikke er skadet, eller montere uskadet tilbehør. Etter å ha inspisert og montert tilbehøret, plasser deg selv og evt. tilskuere vekk fra tilbehørets plan og kjør el-verktøyet med maksimal hastighet uten belastning i ett minutt.** Skadet tilbehør vil normalt dele seg i løpet av denne testtiden.
- **Bruk personlig verneutstyr. Avhengig av bruken, bruk ansiktsskjold, beskyttelsesbriller eller vernebriller.** Ved behov, bruk støvmaske, hørselsvern, hansker og forkle som kan stoppe små slipe- eller arbeidsstykkefragmenter. Øyevernet må kunne stoppe flygende rusk som genereres under de ulike arbeidsoppgavene. Støvmasken eller åndedrettsvernet må kunne filtrere partikler som genereres av arbeidet ditt. Langvarig eksponering for støy med høy intensitet kan medføre hørselstap.
- **Hold tilskuere på trygg avstand fra arbeidsområdet. Alle som beveger seg inn i arbeidsområdet må bruke personlig verneutstyr.** Fragmenter av arbeidsstykker eller ødelagt tilbehør kan slynges ut og forårsake personskader utover det umiddelbare driftsområdet.
- **Hold kun el-verktøyet i de isolerte gripeflatene når du utfører en arbeidsoppgave der skjæreutstyret kan få kontakt med skjulte ledninger eller med sin egen ledning.** Skjæreutstyr som kommer i kontakt med en "levende" ledning, kan føre til at metalldelene på el-verktøyet blir "levende" og gi brukeren elektrisk støt.
- **Plasser ledningen unna det roterende tilbehøret.** Hvis du mister kontrollen kan ledningen kuttes eller hakkes, og hånden eller armen kan bli trukket inn i tilbehøret.
- **Legg aldri fra deg el-verktøyet før tilbehøret har stoppet helt opp.** Tilbehøret kan ta tak i underlaget, som gjør at du kan miste kontrollen.
- **Ikke la el-verktøyet gå mens du bærer det.** Ved utilsiktet kontakt med det roterende tilbehøret, kan det ta tak i klærne dine og dra tilbehøret mot i kroppen.
- **Rengjør el-verktøyets luftventilasjon regelmessig.** Motorens vifte vil trekke støvet inn i huset, og en overdreven opphopning av pulverisert metall kan innebære elektriske farer.
- **Ikke bruk el-verktøyet i nærheten av brennbare materialer.** Gnistene kan antenne disse materialene.
- **Ikke bruk tilbehør som krever flytende kjølevæsker.** Bruk av vann eller andre flytende kjølevæsker kan føre til elektroshock eller støt.

Rekyl og relaterte advarsler

Rekyl er en plutselig reaksjon på en roterende skive, støtpute, børste eller ethvert annet tilbehør som er klemt fast eller som hakker. Når det roterende tilbehøret setter seg fast eller hakker vil det i sin tur forårsake at el-verktøyet blir dratt i den motsatte retningen av tilbehørets rotasjon på tidspunktet når det setter seg fast. For eksempel, hvis en slipeskive hakker eller klemmes fast av arbeidsstykket, kan kanten av skiven som kommer inn i klemmepunktet grave seg inn i overflaten på materialet og kan føre til at skiven hopper ut. Skiven kan enten hoppe mot eller bort fra brukeren, avhengig av retningen for skivens bevegelse ved klemmepunktet. Slipeskiver kan også brenne under disse forholdene. Rekyl er et resultat av misbruk av el-verktøyet og/eller feil bruksprosedyrer eller arbeidsforhold, og kan unngås ved å ta de riktige forholdsregler som angitt nedenfor.

- **Oppretthold et fast grep på el-verktøyet og plasser kroppen og armen slik at du kan motstå rekylkrefter. Bruk alltid hjelpehåndtaket dersom det finnes. Det vil gi maksimal kontroll over rekyl eller momentreaksjonen under oppstart.** Brukeren kan kontrollere momentreaksjonene eller rekylkreftene dersom de riktige forholdsreglene tas.

- **Ha aldri hånden i nærheten av roterende tilbehør.** Tilbehøret kan slå tilbake over hånden.
- **Ikke plasser kroppen din i det området der el-verktøyet vil bevege seg dersom rekyl oppstår.** Rekyl vil rotere verktøyet i den motsatte retningen til skivens bevegelse på hakkepunktet.
- **Utvis spesiell forsiktighet når du arbeider med hjørner, skarpe kanter, osv. Unngå at tilbehøret hopper eller hakker.** Hjørner, skarpe kanter eller hoppende bevegelser har en tendens til å lage hakk i det roterende tilbehøret og forårsake tap av kontroll eller rekyl.
- **Ikke monter et treskjærersagblad eller tannet sagblad.** Slike blad forårsaker ofte rekyl og tap av kontroll.

Spesielle sikkerhetsinstruksjoner for pussing

Ikke bruk overdrevent stort pussepapir. Følg produsentens anbefalinger når du velger pussepapir. Stort pussepapir som strekker seg utover pusseputen medfører fare for sårskader og kan forårsake hakking eller rivning av skiven eller rekyl.

FUNKSJONELL BESKRIVELSE

Denne elektriske gipspussemaskinen er spesialdesignet for en mest mulig effektiv sliping av gips- eller pussvegger og tak for både nybygg og renoveringsarbeid. Den er designet for å fungere sammen med en støvsuger for minimalt med støv og best mulig pusseeffekt. Det svingbare pussehodet gir utmerkede resultater med minimum av tid og anstrengelser.

ELEKTRISK TILKOBLING

Nettspenningen må være innenfor spenningen som er angitt på verktøyets navneskilt. Verktøyet må ikke under noen omstendigheter brukes dersom strømledningen er skadet. En skadet ledning må straks skiftes ut av et autorisert servicecenter. Ikke forsøk å reparere ledningen selv. Bruk av skadede strømledninger kan føre til elektrisk støt.

SKJØTELEDNING

Hvis det er behov for en skjøteledning, må denne ha et tilstrekkelig tverrsnitt for å forhindre for høyt spenningsfall eller overoppheting. Ved for høyt spenningsfall vil effekten reduseres, og det kan føre til at motoren svikter.

OPPAKKING

Ta ut verktøyet og alle løse deler fra forsendelsespakken

Ta vare på alt emballasjemateriell til du har inspisert maskinen og funnet den tilfredsstillende.

KARTINGEN INNEHOLDER

1. Pussemaskin for gips
2. Bæreveske
3. Instruksjonsmanual

KKE BRUK DETTE VERKTØYET FØR DU HAR LEST OG FORSTÅTT HELE INSTRUKSJONSHÅNDBOKEN

MONTERING AV EN SANDPAPIRSKIVE

1. Koble fra maskinen.
2. Fjern den utslitte sandpapierskiven, og la svampputestøtten ligge på plass.
3. Sentrer den nye sandpapierskiven forsiktig og trykk den på plass. Den blir holdt sikkert på plass av borrelåsen.

FORSIKTIG: Ikke prøv å feste noe annet enn sandpapir, da dette kan føre til skader på maskinen

FORSIKTIG: Forsikre deg alltid om at sandpapiret er godt sentrert på støtputen, og dobbeltsjekk for å bekrefte at den er skikkelig festet. Feil sentrert eller dårlig festet sandpapir vil føre til For store vibrasjoner som kan skade maskinen.

SKIFTE UT BORRELÅS-SVAMPPUTEN

Svampputen må være perfekt flat for å få gode pusseresultater. Hvis den er deformert eller skadet, vil det føre til svært ujevn pussing. Bytt den alltid ut dersom den er skadet. Det er borrelås på begge sider, så for å skifte den ut, fjern den fra borrelåsen på pusseskiveunderlaget, og legg en ny på forsiktig for å holde den perfekt sentrert.

BØRSTEBUSTEN PÅ KANTEN AV PUSSESKIVEDEKSELET

Børstebusten på kanten av pusseskivedekselet tjener to formål, de holder pusseskiven riktig på linje med arbeidsoverflaten uten å lage fordypninger, og de bidrar også til støvoppsamlingens effektivitet. Disse børstebustene vil slites ved kontinuerlig bruk.

Pusseskivedekselet bør byttes når bustene er for slitte for å sikre effektiv støvoppsamling og stabilisering av pussehodet.

FØLG DISSE TRINNENE FOR Å SKIFTE UT DEKSELET

Hold pusseskiven i den ene hånden og løsne først senterbolten med urviseren med den andre, ved hjelp av L-sekskantnøkkelen (følger med). Deretter bruk bare L-sekskantnøkkelen til å holde senterbolten fra å rotere og snurre av pusseskiven mot urviseren.

—NO—

Etter at pusseplaten er fjernet, fjern de 8 skruene for å fjerne pusseplatens deksel fra pusseplatens base.

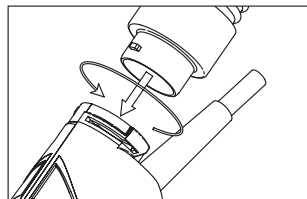
Påsettingen utføres motsatt av fjerningen. Alle reparasjoner som foretas av et autorisert servicesenter.



Løse pusseplaten

HVORDAN MONTERE STØVSUGERLEDNINGEN

1. Koble fra maskinen.
2. Plugg støvsugerslangens bajonettfeste inn i den svingbare holderen på baksiden av maskinen. Når tengene på bajonettfestet er kommet helt inn i sporene, hold fast det svingbare festet slik at det ikke går rundt, og vri slangen med bajonettfestet med urviseren for å låse den.
3. Fjerning utføres på motsatt måte som monteringen.



STØVSUGEREN

Forsikre deg om at du har en pose installert i støvsugeren som er godkjent og beregnet for gipsstøv.

ADVARSEL: Unnlatelse av å bruke en godkjent støvpose i støvsugeren vil øke nivået av luftbåret støv i arbeidsområdet. Langvarig eksponering for slikt støv kan forårsake luftveisskader.

STARTING OG STOPPING AV VERKTØYET

Forsikre deg om at strømkretsspenningen er den samme som vist på spesifikasjonsplaten til maskinen før du kobler verktøyet til strømkretsen.

Slå maskinen på og av

Slå på:

Mens du holder maskinen med begge hender, trykk først på strømknappen for å aktivere verktøyet, og trykk deretter på motorens av-/på-knapp for å starte verktøyet. Forutse og vær klar for oppstartmomentet når maskinen starter opp.

MERK: Etter at motorbryteren er trykket ned, vil kontrolleren synkronisere med rotorens posisjon, og det vil bli 1 til 2 sekunders forsinkelse før den begynner å rotere, Dette er normalt.



Slå av:

Trykk på strømknappen Etter at maskinen er slått av, vil pusseskiven fortsette å rotere en tid. Forsikre deg om at deler av kroppen din ikke kommer i kontakt med skiven og ikke sett maskinen ned mens den fortsatt roterer!

JUSTERING AV ROTASJONSHASTIGHETEN

Maskinens hastighet er variabel for å passe til de forskjellige oppgavene. Den kan justeres fra 780/min opp til 1250/min i trinn på 80/min ved å trykke på "Opp"- og "Ned"-knappene for hastighetsvalg. Trykk "Opp" for å øke hastigheten og "Ned" for å redusere hastigheten. Den valgte innstillingen vil vises på indikatorskjermen. Generelt sett bør du bruke høy hastighet for rask grovfjerning og lav hastighet for mer nøyaktig kontroll.

HALVMÅNEDØREN

Pusseskivedekselet er utstyrt med en halvmånedør som kan åpnes, som lar operatøren pusse helt opp til kanten eller inn i et hjørne. Kanten av støvskjørtet er også dreibart slik at åpningen kan plasseres i hvilken som helst ønsket vinkel.

For å åpne, slå først av maskinen og trekk ut strømledingen, og trykk deretter på døren rett ned til den klikker, og den vil da frigjøres og vippe opp på grunn av fjærspenningen. Lukkingen utføres på motsatt måte som åpningen.

Støvinnsamlingen vil ikke være ideell mens halvmånedøren er åpnet, så døren bør lukkes så fort som mulig.



HVORDAN BRUKE VERKTØYET

Det kreves to-håndsdrift av denne kraftige sagen for å sørge for en maksimal sikkerhet og kontroll under bruk. Riktig holdemåte er å holde den ene hånden på hovedhåndtaket og den andre hånden på svampegrepet på stangen. Det er veldig viktig å stå stødig til enhver tid, spesielt når du står på stillaser eller i stiger.

PUSSEOPERASJONER

1. Når maskinen og støvsugeren er satt opp og alle sikkerhetstiltak og alt utstyr er på plass, begynn med å slå på støvsugeren og deretter maskinen. (Hvis du bruker en støvsuger med integrert bryter, må kan du bare slå på maskinen.)
2. Begynn å slippe og ha en så lett som mulig kontakt med arbeidsoverflaten, akkurat nok til å holde slipehodet flatt mot overflaten.
3. Leddene i pussehodet lar pusseskiven følge konturene på arbeidsoverflaten.
4. Den beste teknikken er å bruke overlappende bevegelser og holde hodet i konstant bevegelse. Stopp

aldri for lenge på ett enkelt sted, for å unngå virvelmerker. Med erfaring vil det være veldig enkelt å oppnå utmerkede resultater.

FORSIKTIG: Forsikre deg alltid om at arbeidsoverflaten er helt tørr før du pusser. En våt eller fuktig overflate vil overbelaste motoren, og dermed føre til at verktøyet blir skadet.

MERK: Forsikre deg om at sandpapiret som du bruker er egnet for oppgaven. For grovkornet papir kan fjerne materialet for raskt til å kunne kontrollere det. Mens altfor finkornet papir kan tette seg for ofte og dermed ikke forme overflaten.

FORSIKTIG: Pass på å unngå skarpe fremspring og spiker osv. Disse vil ødelegge sandpapiret og sannsynligvis også skade svampputen.

VEDLIKEHOLD

Blås trykkluft gjennom motoren mens du kjører uten belastning for å fjerne akkumulert støv så ofte som nødvendig.

HOLD VERKTØYET RENT

Blås jevnlig ut alle luftgangene med tørr trykkluft. Alle deler av plast skal rengjøres med en myk, fuktig klut. Bruk ALDRI løsemidler for å rengjøre plastdeler. Disse kan oppløse eller på annen måte skade materialet.

Bruk vernebriller når du bruker trykkluft.

Rengjør den svingbare støvsugekontakten, da for mye støv vil hindre den i å svinge fritt rundt.

Dersom det er behov for å bytte ut strømledningen, må dette utføres av produsenten eller dennes forhandler for å unngå sikkerhetsrisiko.

ADVARSEL: Alle reparasjoner må utføres av et autorisert servicesenter. Feil utførte reparasjoner kan føre til personskader eller død.

OVERLAST- og TERMISK BESKYTTELSE

Dette verktøyet vil indikere at den maksimale anbefalte belastningen er nådd ved å senke rotasjonshastigheten. Hvis brukeren fortsetter å trykke ned maskinen hardere, vil den stoppe. Dersom verktøyet overopphetes, vil det også stoppe automatisk. **Se “Feilkoder” for mer informasjon.**

FORSIKTIG: Hver gang verktøyet overbelastes eller overopphetes, skal det alltid kjøres uten belastning i noen minutter for å avkjøle det før du fortsetter arbeidet.

FEILKODER

E - 1	Overbelastning av strøm	Trykk på motorbryteren én gang for å fjerne feilen, deretter trykk på motorbryteren én gang til for å starte verktøyet på nytt
E - 2	Overoppheting (kontroller >80°C)	Når temperaturen synker til under 60°C, trykk på motorbryteren én gang for å fjerne feilen, deretter trykk på motorbryteren én gang til for å starte verktøyet på nytt
E - 3	Lav spenning 110V-120V inngang under 80V eller 220V-240V inngang under 180V	Når spenningen går tilbake til normal trykk på motorbryteren én gang for å fjerne feilen, deretter trykk på motorbryteren én gang til for å starte verktøyet på nytt
E - 4	Høy spenning 110V-120V inngang høyere enn 130V eller 220V-240V inngang høyere enn 260V	Når spenningen går tilbake til normal trykk på motorbryteren én gang for å fjerne feilen, deretter trykk på motorbryteren én gang til for å starte verktøyet på nytt
E - 2 - 5	Motor blokkert	Sikre at motoren kan gå rundt,, trykk på motorbryteren én gang for å fjerne feilen, deretter trykk på motorbryteren én gang til for å starte verktøyet på nytt
E - 2 - 6	Motoren kan ikke startes på nytt etter 4 forsøk	Trykk på motorbryteren én gang for å fjerne feilen, og trykk deretter motorbryteren en gang til for å starte verktøyet på nytt. Hvis problemet vedvarer, ta med verktøyet til et servicesenter for sjekk
E - 9 - 1	Tap av kommunikasjon mellom bryterpanelenheten og motorens elektroniske krets under drift	Motorens elektroniske krets tømmer automatisk signalet: Trykk på motorbryteren én gang for å fjerne feilen deretter trykk på motorbryteren én gang til for å starte verktøyet én gang til Dersom feilen vedvarer, ta med verktøyet til et servicesenter for sjekk

MERK: Indikatorskjermen kan også vise forløpte timer. Se forhandler for detaljer.

Informasjon om støy/vibrasjoner

Målt i henhold til EN 60745-2-3

Modell nr.: SB9

Støynivå: Lydtryknivå (L_{pA}): 77.5 dB(A) Lydeffektnivå (L_{wA}): 88.5 dB(A) K= 3 dB

Vibrasjonsnivå: ah = 3.3 m/s² K = 1.5 m/s² (Pusse stein)

Vibrasjonsutslippsnivået er målt i samsvar med en standardisert test gitt i EN 60745; det kan brukes til å sammenligne ett verktøy med et annet og som en foreløpig vurdering for vibrasjonseksposering når verktøyet er brukt i de nevnte bruksområdene

- bruk av verktøyet i andre bruksområder, eller med annet eller dårlig vedlikeholdt tilbehør, kan øke eksponeringsnivået betydelig

- de gangene verktøyet slås av, eller når det går men ikke utfører noe arbeid, kan redusere eksponeringsnivået betydelig

beskytt deg mot vibrasjonspåvirkningene ved å vedlikeholde verktøyet og tilbehøret, holde hendene varme og organisere arbeidsmønsteret ditt

CE-samsvarserklæring

• Vi erklærer på eget ansvar at dette produktet er i samsvar med følgende standarder eller standardiserte dokumenter: EN 60745-1: 2009 + A11: 2010; EN 60745-2-3: 2011 + A2:2013+A11:2014+A12:2014 +A13:2015 EN 61000, EN 55014 I henhold til forordningene 2014/30/EU, 2006/42/EC, 2011/65/EU

• Teknisk dokumentasjon hos: LEE YEONG INDUSTRIAL CO., LTD., NO.2, KEJIA RD., DOULIU CITY, YUNLIN COUNTY 64057, TAIWAN

You-Chun, Liu
Drift og prosjektering

You Chun Liu

Chih-Hao, Lai
Godkjenningsleder

chih hao lai

LEE YEONG INDUSTRIAL CO., LTD.,
NO.2, KEJIA RD., DOULIU CITY, YUNLIN COUNTY 64057, TAIWAN 06.08.2020

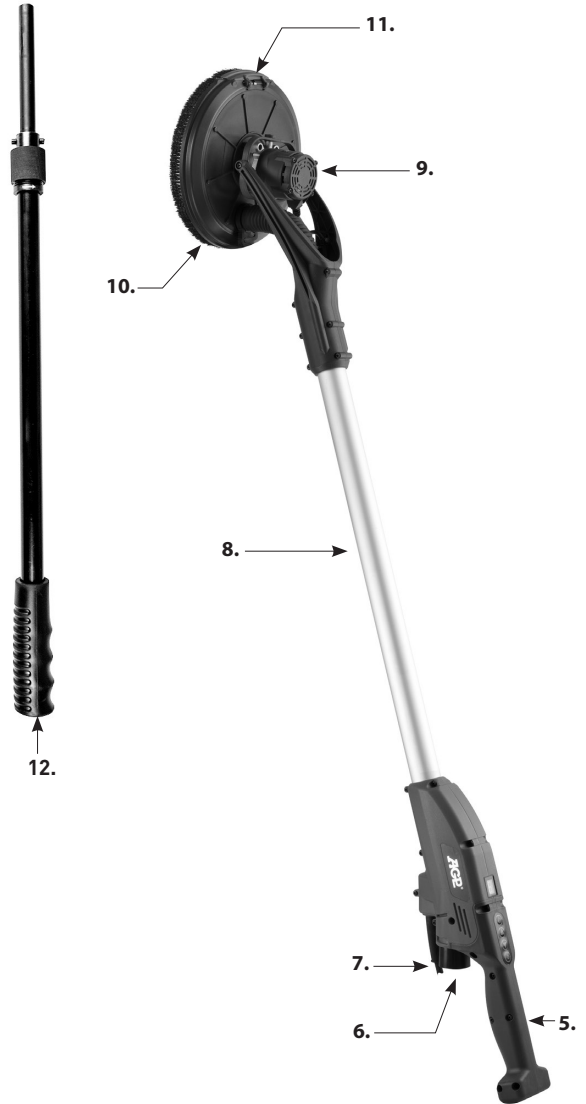
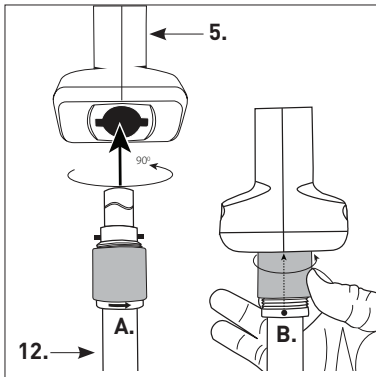
LEE YEONG INDUSTRIAL CO., LTD.

NO.2, KEJIA RD., DOULIU CITY,
YUNLIN COUNTY 64057, TAIWAN

TEL: 886-5-5518689 (REP)

Fax: 886-5-5518635

1. Strömbrytare
2. Motor på/av-knapp
3. Hastighetsväljar-knappar
4. Indikatorskärm
5. Huvudhandtag
6. Vakuumvridfäste
7. Nätsladd
8. Stång
9. Motor
10. Dammkjol (vridbar)
11. Halvmåneformad lucka
12. Förlängningsfält (tillval)



Modell	SB9
Spänning	110 V - 120 V ~ 50 - 60 Hz, 220 V - 240 V ~ 50 - 60 Hz
Ingen belastning min ⁻¹	1 000 - 1 600
Ineffekt	450 W
Slipskivans diameter	225 mm
Längd	1,53 m
Nettovikt	2,9 kg

ALLMÄNNA SÄKERHETS FÖRESKRIFTER



VARNING! Läs alla varningar och instruktioner. Underlåtenhet att följa alla varningar och instruktioner kan orsaka olyckor, lagerfigur och/eller allvarliga personskador.

Spara alla varningar och instruktioner för framtida bruk.

Ordet "elverktyg" i varningarna avser ditt nätdrivna (sladdförsedda) elverktyg eller batteridrivna (sladdlösa) elverktyg.

1. SÄKERHET PÅ ARBETSOMRÅDET

- a. **Håll arbetsytan ren och väl upplyst.** Stökiga eller mörka områden ökar risken för olyckor.
- b. **Använd inte elverktyg i explosiva miljöer, t.ex. i närheten av lättantändliga vätskor, gaser eller damm.** Elverktyg orsakar gnistor som kan antända damm eller ångor.
- c. **Håll barn och kringstående på avstånd vid arbete med elverktyg.** Distractioner kan göra att du tappar kontrollen över verktyget.
- d. **Lämna aldrig elverktyg utan uppsikt.** Lämna först maskinen när verktyget har stannat helt.

2. ELSÄKERHET

- a. **Elverktygets kontakt måste överensstämja med eluttaget. Modifiera inte kontakten på något sätt. Använd inte kontaktadapter med jordade elverktyg.** Omodifierade kontakter och motsvarande uttag minskar risken för elektriska stötar.
- b. **Undvik kroppskontakt med jordade ytor som rör, värmeelement, spisar och kylskåp.** Risken för olyckor ökar om din kropp är jordad.
- c. **Utsätt inte elverktyg för regn eller fukt.** Tränger vatten in i ett motordrivet verktyg ökar risken för olyckor.
- d. **Var försiktig med sladden. Använd aldrig sladden för att bära, dra i eller koppla ur elverktyget. Håll sladden borta från värme, olja, vassa kanter eller rörliga delar.** Skadade eller snärjda elkablar ökar risken för olyckor.
- e. **Om du använder ett elverktyg utomhus kan du använda en lämplig skarvsladd för utomhusbruk.** En skarvsladd för utomhusbruk minskar risken för elektriska stötar.
- f. **Om elverktyget måste användas på en fuktig plats ska jordfelsbrytare användas.** En jordfelsbrytare minskar risken för olyckor.

3. PERSONLIG SÄKERHET

- a. **Var uppmärksam, kontrollera vad du gör och använd sunt förnuft när du använder ett elverktyg. Använd inte elverktyg när du är trött eller påverkad av droger, alkohol eller mediciner.** Ett ögonblick av ouppmärksamhet medan du arbetar med elverktyg kan orsaka allvarliga personskador.
- b. **Använd personlig skyddsutrustning. Bär alltid ögonskydd.** Lämplig skyddsutrustning såsom dammfilterskydd, halkfria säkerhetsskor, hjälm eller hörselskydd minskar risken för personskador under normala omständigheter.
- c. **Förhindra oavsiktlig start. Kontrollera att strömbrytaren är fränslagen innan du ansluter verktyget**

till strömkällan och/eller batteriet, eller lyfter upp och bär verktyget. Att bära elverktyget med fingret på strömbrytaren eller att strömsätta elverktyg som är påslagna kan orsaka en olycka.

- d. Avlägsna alla nycklar innan du sätter på elverktyget.** Om nycklar lämnas anslutna till en roterande del på elverktyget kan detta orsaka personskador.
- e. Sträck dig inte för långt. Stå stadigt och se till att ha ordentligt fotfäste.** Detta hjälper dig att ha bättre kontroll över elverktyget i oväntade situationer.
- f. Klä dig rätt. Bär inte löst sittande kläder eller smycken. Håll hår och kläder borta från rörliga delar.** Lösa kläder, smycken eller långt hår kan fastna i rörliga delar.
- g. Om tillbehör ingår som ska anslutas för dammsugning och dammuppsamling, ser du till att dessa är anslutna och används på rätt sätt.** Att använda dammsugning minskar risken för dammfaror.
- h. Även om du använder ett verktyg ofta får du inte låta gammal vana göra att du ignorerar dess säkerhetsregler.** Bara ett ögonblicks vårdslöshet kan orsaka allvarliga personskador.

4. ANVÄNDNING OCH SKÖTSEL AV ELVERKTYG

- a. Forcera inte elverktyget. Använd rätt elverktyg för ditt syfte.** Rätt elverktyg kommer att utföra jobbet på ett bättre och säkrare sätt, och i den takt för vilken det är konstruerat.
- b. Använd inte elverktyget om strömbrytaren inte fungerar.** Elverktyg som inte kan kontrolleras med strömbrytaren är farliga och måste repareras.
- c. Koppla bort elverktyget från strömkällan och/eller batteriet innan du gör några justeringar, byter tillbehör eller placerar elverktyget i förvaring.** Dessa säkerhetsåtgärder minskar risken för att elverktyget startas av misstag.
- d. Förvara strömsatta elverktyg utom räckhåll för barn och låt inte personer som inte är bekanta med elverktyget och dess instruktioner använda det.** Elverktyg är farliga i händerna på utbildade användare.
- e. Underhåll av elverktyg. Kontrollera verktyget för att upptäcka eventuell felaktig inriktning eller kärvning av rörliga delar, trasiga delar och alla andra förhållanden som kan negativt påverka elverktygets funktion. Om det är skadat måste elverktyget repareras innan det används.** Många olyckor orsakas av dåligt underhållna elverktyg.
- f. Håll kapverktyg vassa och rena.** Ordentligt underhållna kapverktyg med vassa skärkanter kärvar i allmänhet inte och är lättare att styra.
- g. Använd elverktyget, tillbehör och verktygsinsatser i enlighet med dessa anvisningar med hänsyn till arbetsförhållanden och arbetet som ska utföras.** Att använda elverktyg i annat än dess avsedda syfte kan vara farligt.
- h. Håll handtagen rena och fria från olja och fett.** Hala handtag innebär att verktyget inte är säkert hantera och kan hanteras precis i oföväntade situationer.

5. SKÖTSEL

- a. Se till att verktyget underhålls av en kvalificerad reparatör som enbart använder identiska reservdelar.** Detta säkerställer att elverktyget förblir säkert att använda.
- b. Använd enbart originaldelar för reparationer och underhåll.** Inkompatibla tillbehör eller reservdelar kan orsaka elolyckor eller personskador.

Symboler som används i den här manualen

V.....volt

A.....ampere

Hz.....hertz

W..... watt

~..... växelström

n_0nominellt varvtal

min^{-1} varv eller reciproka rörelser per minut



.....allmän fara



.....läs dessa instruktioner



.....bär alltid ögonskydd



.....bär alltid dammfilterskydd.



.....bär alltid öronskydd



.....bär alltid en godkänd skyddshjälm



kasta inte elverktyg, tillbehör eller förpackningsmaterial som hushållsavfall

SÄKERHETSINSTRUKTIONER



VARNING! Läs alla säkerhetsvarningar och instruktioner. Underlåtelse att följa varningar och instruktioner kan resultera i elstöt, brand och/eller allvarlig skada. Spara alla varningar och instruktioner för framtida referens.

- **Detta elverktyg är avsett att fungera som en slipmaskin. Läs alla säkerhetsvarningar, instruktioner, illustrationer och specifikationer som medföljer detta elverktyg.** Underlåtelse att följa nedanstående instruktioner kan resultera i elstöt, brand och/eller allvarlig skada.
- **Vi rekommenderar att man inte utför arbeten som slipning, stålborstning, polering eller kapning med detta elverktyg.** Användning för uppgifter som elverktyget inte har konstruerats för kan leda till fara och orsaka personsador.
- **Använd endast tillbehör som är specifikt konstruerade för verktyget och som rekommenderas av verktygstillverkaren.** Bara för att du kan fästa ett tillbehör på ditt elverktyg garanterar inte en säker drift.
- **Tillbehörets nominella hastighet måste vara minst lika med den högsta hastighet som anges på elverktyget.** Tillbehör som går snabbare än deras nominella hastighet kan gå sönder och slungas ut.
- **Tillbehörets ytterdiameter och tjocklek måste ligga inom ditt elverktygs kapacitet.** Tillbehör som har fel storlek kan inte skyddas eller kontrolleras på lämpligt sätt.
- **Tillbehörens gängade montering måste matcha slipens spindelgänga. När det gäller tillbehör som monteras med flänsar måste tillbehörets dornhål passa flänsens lokaliseringsdiameter.** Tillbehör som inte överensstämmer med elverktygets monteringshårdvara bli obalanserade, vibrerar för mycket och kan orsaka förlust av kontroll.
- **Använd inte ett skadat tillbehör. Inspektera tillbehöret, t.ex. hack och sprickor på slipskivan, sprickor, revor eller onödigt slitage på stödskivan, lösa eller spruckna trådar på stålborsten, innan varje användningsgång. Om du tappar elverktyget eller tillbehöret måste du kontrollera om det är skadat eller montera ett oskadat tillbehör. Efter att ha inspekterat och monterat ett tillbehör ska**

du placera dig själv och åskådare borta från det roterande tillbehörets plan och köra elverktuget med maximal hastighet utan belastning i en minut. Skadade tillbehör kommer normalt att gå sönder under denna testtid.

- **Använd personlig skyddsutrustning. Använd ansiktsskydd eller skyddsglasögon beroende på användningsändamål. Bär vid behov dammask, hörselskydd, handskar och butiksförkläde som kan stoppa små slip- eller arbetsstycken.** Ögonskyddet måste kunna stoppa flygande skräp som uppstår vid olika arbeten. Dammasken eller andningsskyddet måste kunna filtrera partiklar som genereras under arbetet. Långvarig exponering för högintensivt buller kan orsaka hörselnedsättning.
- **Håll åskådare på säkert avstånd från arbetsområdet. Alla som kommer in i arbetsområdet måste bära nödvändig personlig skyddsutrustning.** Fragment från arbetsstycket eller ett trasigt tillbehör kan slungas iväg och orsaka skador utanför det omedelbara driftområdet.
- **Håll endast elverktuget i dess isolerade greppytor när du utför ett arbete där skärtillbehöret kan komma i kontakt med dolda ledningar eller sin egen sladd.** Skärtillbehör som kommer i kontakt med en spänningsförande ledning kan leda till att blottlagda metalldelar på elverktuget blir spänningsförande och kan ge operatören en elstöt.
- **Placera sladden på avstånd från det roterande tillbehöret.** Om du tappar kontrollen över verktuget kan sladden kapas eller fastna och din hand eller arm kan dras in i det roterande tillbehöret.
- **Lägg aldrig ner elverktuget förrän tillbehöret stannat helt.** Det roterande tillbehöret kan fastna i arbetsytan och få dig att tappa kontrollen över elverktuget.
- **Låt elverktuget vara avstängt medan du bär det vid din sida.** Oavsiktlig kontakt med det roterande tillbehöret kan leda till att tillbehöret fastnar i dina kläder och drar in det mot kroppen.
- **Rengör elverktugets luftventiler regelbundet.** Motorns fläkt kommer att dra in damm i höljet och överdriven ansamling av pulveriserad metall kan orsaka elektrisk fara.
- **Använd inte elverktuget i närheten av brännbara material.** Gnistor kan antända dessa material.
- **Använd inte tillbehör som kräver kylvätskor.** Användning av vatten eller andra kylvätskor kan resultera i elstöt eller chock.

Kast och relaterade varningar

Kast innebär en plötslig reaktion om en roterande skiva, stödskiva, borste eller något annat tillbehör kommer i kläm eller fastnar. Ett roterande tillbehör som kommit i kläm eller fastnar leder till att det stannar snabbt vilket i sin tur gör att det okontrollerade elverktuget tvingas i motsatt riktning mot tillbehörets rotation när det fastnar. Om till exempel en slipskiva fastnar i eller kläms av arbetsstycket, kan kanten på skivan som går in i klämpunkten gräva sig in i materialets yta och leda till att skivan klättrar eller kastas ut. Slipskivan kan antingen hoppa mot eller bort från operatören, beroende på skivans rotationsriktning vid tidpunkten när den fastnade. Slipskivor kan också gå sönder under dessa förhållanden. Kast är resultatet av felaktig användning av elverktuget och/eller felaktiga driftsprocedurer eller arbetsförhållanden och kan undvikas genom att vidta nedanstående lämpliga försiktighetsåtgärder.

- **Håll ett fast grepp om elverktuget och placera din kropp och arm så att du kan hålla emot om verktuget kastas. Använd alltid hjälphandtaget (om finns) för maximal kontroll över kast eller vridmomentreaktion vid uppstart.** Operatören kan kontrollera vridmomentreaktioner eller kastkrafter om man vidtagit lämpliga försiktighetsåtgärder.
- **Placera aldrig din hand nära det roterande tillbehöret.** Tillbehöret kan kastas över din hand.
- **Placera inte din kropp i området dit elverktuget kommer att röra sig vid kast.** Kastet kommer att driva verktuget i motsatt riktning mot skivans rörelse när den fastnar.

- **Var särskilt försiktig när du arbetar i hörn, på vassa kanter, etc.** Undvik att tillbehöret studsar och fastnar. Hörn, vassa kanter eller studsande har en tendens att orsaka att det roterande tillbehöret fastnar och leda till kontrollförlust eller kast.
- **Montera inte en sågkedja, ett träsniderblad eller ett tandat sågblad.** Sådana blad orsakar ofta kast och kontrollförlust.

Särskilda säkerhetsanvisningar för slipning

Använd inte en för överdimensionerad slipskiva. Följ tillverkarnas rekommendationer när du väljer slippapper. Större slippapper som är större än slipplattan kan orsaka rivsår och leda till att skivan fastnar eller rivs samt kast.

FUNKTIONSBESKRIVNING

Denna elektriska gipsslipmaskin är speciellt utformad för effektiv slipning av väggar och tak av gips eller murbruk för både nybyggnation och renovering. Maskinen är utformad för användning med en dammsugare för minimalt med damm och bästa möjliga slipresultat. Det svängbara sliphuvudet ger utmärkta resultat på kort tid och med lite ansträngning.

ELEKTRISK ANSLUTNING

Nätverksspänningen måste ligga inom den spänningsintervall som anges på verktygets typskylt. Verktyget får under inga omständigheter användas när nätsladden är skadad. En skadad sladd måste omedelbart bytas ut av ett auktoriserat kundtjänstcenter. Försök inte reparera den skadade sladden själv. Användning av skadade nätsladdar kan leda till en elektrisk stöt.

FÖRLÄNGNINGSKABEL

Om förlängningskabel behövs måste den ha ett tillräckligt stort tvärsnitt för att förhindra betydande spänningsfall eller överhettning. Ett betydande spänningsfall minskar effekten och kan leda till fel på motorn.

UPPACKNING

Ta försiktigt ut verktyget och alla lösa delar från förpackningen.

Behåll allt förpackningsmaterial tills du har inspekterat och använt maskinen på ett tillfredsställande sätt.

FÖRPACKNINGENS INNEHÅLL

1. Gipsslipmaskin
2. Bärväska
3. Bruksanvisning

ANVÄND INTE DETTA VERKTYG INNAN DU HAR LÄST OCH FÖRSTÅTT HELA BRUKSANVISNINGEN

MONTERING AV SANDPAPPERSSKIVA

1. Koppla bort maskinen.
2. Dra av den slitna sandpappersskivan och lämna svampstöddynan på plats.
3. Centrerar försiktigt den nya sandpappersskivan och tryck på plats. Den kommer att hållas på plats med hjälp av kroken och slingstödet.

UPPMÄRKSAMHET: Fäst inte något annat tillbehör än sandpapper på verktyget eftersom det kan leda till skador på maskinen.

UPPMÄRKSAMHET: Var alltid noga med att se till att sandpaperet är väl centrerat på stödskivan och dubbelkolla för att bekräfta att dessa instruktioner följts helt. Sneda eller dåligt vidhäftade sandpapper leder till kraftiga vibrationer som kan skada maskinen.

BYTE AV KROK OCH SLINGSVAMPDYNA

Svampdynan måste vara helt platt för att få bästa möjliga slipresultat. Om den är deformerad eller skadad kommer den att orsaka mycket ojämn slipning. Byt alltid ut den när den är skadad. Dynan har en krok och slinga på båda sidorna, så vid byte drar du av dynan från kroken och öglan på slipplattans bas och ser till att den är perfekt centrerad när du sätter fast en ny.

BORST PÅ KANTEN AV SLIPPLATTSKYDDET

Borsten på kanten av slipplattskyddet har två syften; de håller slipskivan korrekt i linje med arbetsytan utan urholkning och gör dammsugarens dammupsamling mer effektiv. Dessa borst slits vid kontinuerlig användning.

Slipplattskyddet ska bytas ut när borsten är för slitna för att säkerställa effektiv dammupsamling och stabilisering av sliphuvudet.

FÖLJ DESSA STEG FÖR ATT BYTA SKYDDET

Håll slipplattan med ena handen och med den andra, med hjälp av den L-formade sexkantiga skiftnyckeln (medföljer), skruvar du först loss den mittersta bulten medurs. Använd därefter endast den L-formade sexkantiga skiftnyckeln för att hålla den mittersta bulten från att vrida sig och skruva av slipplattan moturs.

När slipplattan har tagits bort avlägsnar du de 8 skruvarna för att ta bort slipplattskyddet från slipskyddets bas. Byte sker i motsatt ordningsföljd till avlägsnande.

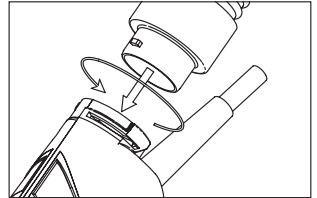


Lossa slipplattan

Låt alla reparationer utföras av ett auktoriserat servicecenter.

MONTERING AV DAMMSUGARSLANG

1. Koppla bort maskinen.
2. Anslut dammsugarslangens bajonettfäste i vridfästet på maskinens baksida. När bajonettfästets fästen är helt infogade i spåren, håller du fast vridfästet så att de inte kan svänga och vrider slangens bajonettfäste medurs för att låsa.
3. Borttagning sker i motsatt ordningsföljd till montering.



DAMMSUGARE

Se till att det finns en påse i dammsugaren som är godkänd och klassad för gipsdamm.

WARNING: Underlåtelse att använda en godkänd dammpåse i dammsugaren ökar nivån av luftburet damm i arbetsområdet. Långvarig exponering för sådant damm kan leda till skador i andningsvägarna.

STARTA OCH STANNA VERKTYGET

Se till att strömkretsens spänning är densamma som på verktygets specifikationsplatta innan du ansluter verktyget till strömkretsen.

Starta och stanna maskinen

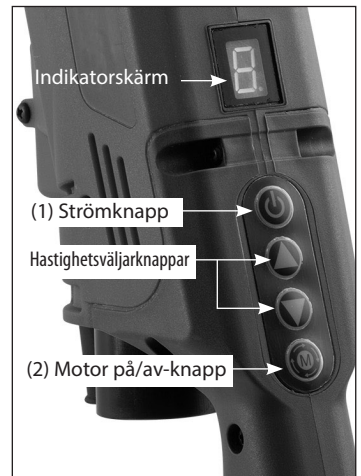
Starta:

Håll verktyget med båda händerna och tryck först på strömknappen för att skicka ström till verktyget. Tryck sedan på motorns På/Av-knapp för att starta verktyget. Förutse och var redo för startvridmomentet när maskinen startar.

OBS: När motorbrytaren har tryckts in synkroniseras styrenheten med rotorns position och det ska finnas 1–2 sekunders fördröjning innan den börjar rotera. Detta är normalt.

Stänga av:

Tryck på strömknappen. Slipskivan fortsätter att rotera ett tag när verktyget har stängts av. Se till att inga kroppsdelar kommer i kontakt med skivan och ställ inte ner verktyget medan det fortfarande roterar!



JUSTERING AV ROTATIONSHASTIGHET

Maskinens hastighet kan justeras för att passa olika arbetsuppgifter. Den kan justeras från 780/min upp till 1 250/min i steg om 80/min genom att trycka på hastighetsväljarknapparna "Upp" och "Ner". Tryck på "Upp" för att öka hastigheten och "Ner" för att minska hastigheten. Den valda inställningen visas på indikatorskärmen. I allmänhet bör du använda högre hastigheter för snabb borttagning av lager och lägre hastigheter för mer exakt kontroll.

HALVMÅNEFORMAD LUCKA

Slipplattans skydd är utrustat med en öppningsbar halvmåneformad lucka som gör det möjligt för operatören att slipa ända till kanten eller in i ett hörn. Dammkjolens kant kan också vridas för att placera öppningen till önskad vinkel. För att öppna stänger du först av maskinen och gör den strömlös. Tryck sedan luckan rakt ner tills den klickar. Den kommer då att vara fri att vända upp under sin fjäderspänning. Stängning sker i motsatt ordningsföljd till öppning.

Dammuppsamlingen kommer inte att vara idealisk medan den halvformade luckan är öppen, så luckan bör stängas omedelbart när den inte behövs.



ANVÄNDA VERKTYGET

Effektiv kontroll av denna maskin kräver användning med två händer för maximal säkerhet och hanterbarhet. Korrekt grepp är att hålla ena handen på huvudhandtaget och den andra handen om stångens svampgrepp. Det är oerhört viktigt att du alltid står stadigt, särskilt när du står på byggnadsställningar eller styltor.

SLIPNING

1. När maskinen och dammsugaren är monterade och alla säkerhetsanordningar och utrustningar är på plats, börjar du genom att starta dammsugaren och därefter maskinen. (Om du använder en dammsugare med integrerad brytare startar du maskinen direkt.)
2. Börja slipa och håll kontakten mot arbetsytan så lätt som möjligt – precis så mycket att du håller sliphuvudet plant mot ytan.
3. Lederna i sliphuvudet gör det möjligt för slipskivan att följa arbetsytans konturer.
4. Den bästa tekniken är att använda överlappande svep och hålla huvudet i ständig rörelse. Stanna aldrig för länge på något ställe eftersom det kommer att lämna virvelmärken. Ju mer man övar desto lättare blir det att få fantastiska resultat.

UPPMÄRKSAMHET: Se alltid till att arbetsytan är helt torr innan slipning. En våt eller halvfuktig yta

överbelastar motorn, vilket leder till skador på verktyget.

OBS: Se till att sandpapperet du använder är anpassat till uppgiften. För grovt sandpapper kan ta bort material för snabbt. Ett alltför fint sandpapper kan täppa igen och inte slipa ner ytan tillräckligt.

UPPMÄRKSAMHET: Undvik spetsiga utsprång och spikar etc. Detta kommer att förstöra sandpappret och förmodligen skada svampdynan.

UNDERHÅLL

Blås tryckluft genom motorn så ofta som det är nödvändigt, medan du kör utan belastning för att rensa ut damm som samlats.

HÅLLA VERKTYGET RENT

Blås regelbundet igenom alla luftpassager med torr tryckluft. Alla plastdelar ska rengöras med en mjuk fuktig trasa. Använd ALDRIG lösningsmedel för att rengöra plastdelar. Rengöringsmedel kan eventuellt lösa upp plasten eller på annat sätt skada materialet.

Bär skyddsglasögon när du använder tryckluft.

Rengör vakuumvridkontakten eftersom för mycket damm hindrar den från att rotera fritt.

Om det är nödvändigt att byta nätsladd måste detta göras av tillverkaren eller dennes ombud för att undvika en säkerhetsrisk.

WARNING: Låt ett auktoriserat servicecenter utföra alla reparationer. Felaktigt utförda reparationer kan leda till skada eller dödsfall.

ÖVERBELASTNING och TERMISKT SKYDD

Detta verktyg indikerar att den maximala rekommenderade belastningen har uppnåtts genom att sänka rotationshastigheten. Verktyget stannar om operatören fortsätter att pressa maskinen hårdare. Verktyget stannar också automatiskt när det överhettas. **Se "Felkoder" nedan för mer information.**

UPPMÄRKSAMHET: När verktyget överbelastats eller överhettats kör du det utan belastning under några minuter så att det svalnar innan du fortsätter arbetet.

FELKODER

E - 1	Strömöverbelastning	Tryck på motorbrytaren en gång för att rensa felet och tryck på motorbrytaren ännu en gång för att starta om verktyget
E - 2	Överhettning (styrenhet >80 °C)	När temperaturen sjunker till under 60 °C trycker du på motorbrytaren en gång för att rensa felet och trycker sedan på motorbrytaren ännu en gång för att starta om verktyget
E - 3	Låg spänning: 110 V–120 V ingång under 80 V eller 220 V–240 V ingång under 180 V	När spänningen återgår till det normala trycker du på motorbrytaren en gång för att rensa felet och trycker sedan på motorbrytaren ännu en gång för att starta om verktyget
E - 4	Hög spänning: 110 V–120 V ingång högre än 130 V eller 220 V–240 V ingång högre än 260 V	När spänningen återgår till det normala trycker du på motorbrytaren en gång för att rensa felet och trycker sedan på motorbrytaren ännu en gång för att starta om verktyget
E - 2 - 5	Motor blockerad	Se till att motorn kan rotera fritt. Tryck sedan på motorbrytaren en gång för att rensa felet och tryck sedan på motorbrytaren ännu en gång för att starta om verktyget
E - 2 - 6	Motorn kan inte startas om efter fyra försök	Tryck på motorbrytaren en gång för att rensa felet och tryck sedan på motorbrytaren en gång till för att starta om verktyget. Ta verktyget till ett servicecenter för kontroll om problemet kvarstår
E - 9 - 1	Förlust av kommunikation mellan kopplingspanelenheten och drivelektronikkortet under drift	Drivelektronikkortet rensar automatiskt signalen: Tryck på motorbrytaren en gång för att rensa felet och tryck sedan på motorbrytaren ännu en gång för att starta om verktyget. Ta verktyget till ett servicecenter för kontroll om problemet kvarstår

OBS: Indikatorskärmen kan också visa förflutna timmar. Se återförsäljaren för mer information.

Information om buller och vibration

Uppmätt i enlighet med EN 60745-2-3

Modell nr :SB9

Bullernivå: Ljudtrycksnivå (L_{pA}): 77.5 dB(A)

Ljudeffektnivå (L_{wA}): 88.5 dB(A) K= 3 dB

Vibrationsnivå: ah = 3.3 m/s²

K = m/s² 1.5 (Slipsten)

Vibrationsutsläppsnivån har mätts i enlighet med ett standardiserat test som gavs i EN 60745. Det kan användas för att jämföra ett verktyg med ett annat och som en preliminär bedömning av exponering för vibrationer när verktyget används för de tillämpningar som nämns.

- användning av verktyget för olika tillämpningar, eller med olika eller dåligt underhållna tillbehör, kan avsevärt öka exponeringsnivån

- tillfällen när verktyget är avstängt eller när det körs men inte utför något arbete, kan avsevärt minska exponeringsnivån

skydda dig mot effekterna av vibrationer genom att underhålla verktyget och dess tillbehör, hålla händerna varma och planera dina arbetsmönster

CE-försäkran om överensstämmelse

Vi försäkrar under eget ansvar att produkten överensstämmer med följande standarder eller standardiserade

dokument: EN 60745-1: 2009 + A11: 2010; EN 60745-2-3: 2011 + A2:2013+A11:2014+A12:2014

+A13:2015 EN 61000, EN 55014 i enlighet med förordningarna 2014/30/EU, 2006/42/EG, 2011/65/EU

• Teknisk fil på: LEE YEONG INDUSTRIAL CO., LTD., NO.2, KEJIA RD., DOULIU CITY, YUNLIN COUNTY 64057, TAIWAN

You-Chun, Liu
Operation & Engineering

You chun Liu

Chih-Hao, Lai
Godkännande-chef

chih hao lai

LEE YEONG INDUSTRIAL CO., LTD.,
NO.2, KEJIA RD., DOULIU CITY, YUNLIN COUNTY 64057, TAIWAN 06.08.2020

LEE YEONG INDUSTRIAL CO., LTD.

NO.2, KEJIA RD., DOULIU CITY,
YUNLIN COUNTY 64057, TAIWAN

TEL: 886-5-5518689 (REP)

Fax: 886-5-5518635

