

MOVER 190D

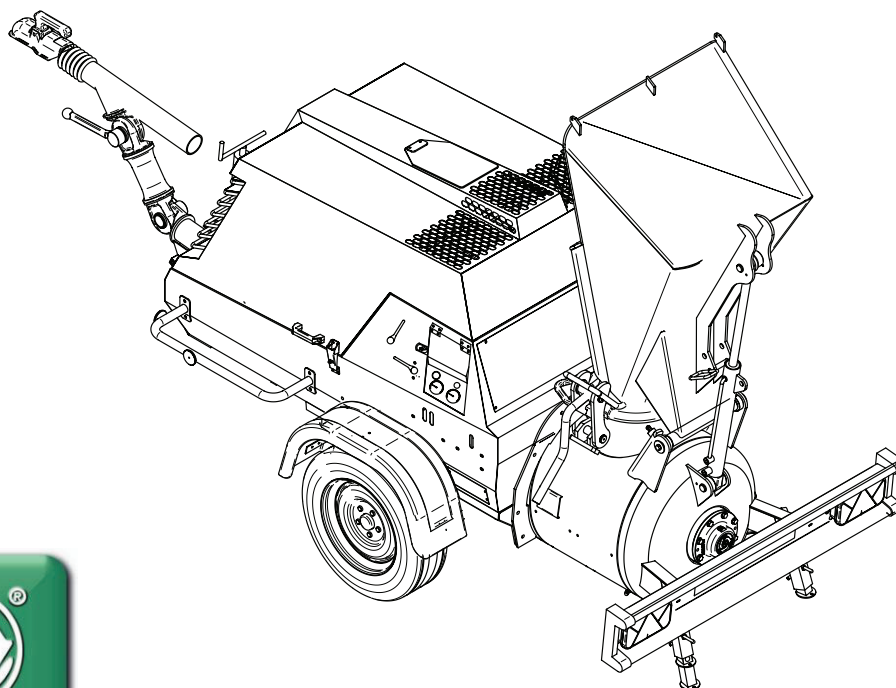
(1106027-1106028-1106029-1106031-1106032-
1106064-1106065-1106066)



- I** POMPA PER SOTTOFONDI
Manuale uso manutenzione e ricambi
- F** POMPE POUR CHAPES
Manuel utilisation entretien pieces de recharge
- GB** SCREED PUMP
Operating,maintenance,spare parts manual
- D** MÖRTELPUMPE
Handbuch für Bedienung, Wartung und Ersatzteile
- E** BOMBA PARA SOLERAS
Manual de uso, mantenimiento y repuestos



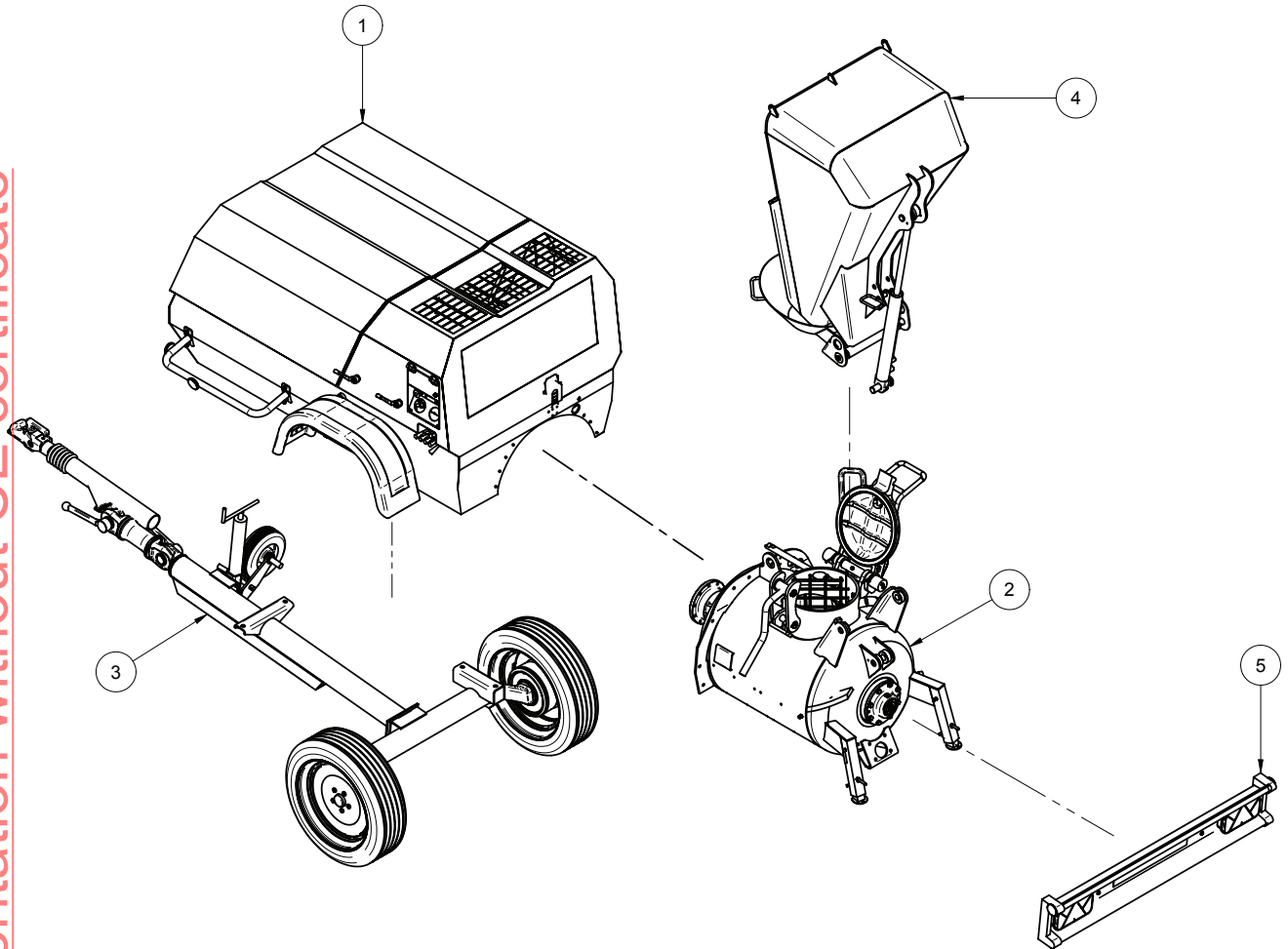
3228479 R09- 2017/03



IMER INTERNATIONAL S.p.A.
Via Salceto, 55 - 53036 POGGIBONSI (SI) - (ITALY)
Tel. 0577 97341 - Fax 0577 983304
www.imergroup.it



Documentazione senza certificazione CE
Documentation without CE certificate

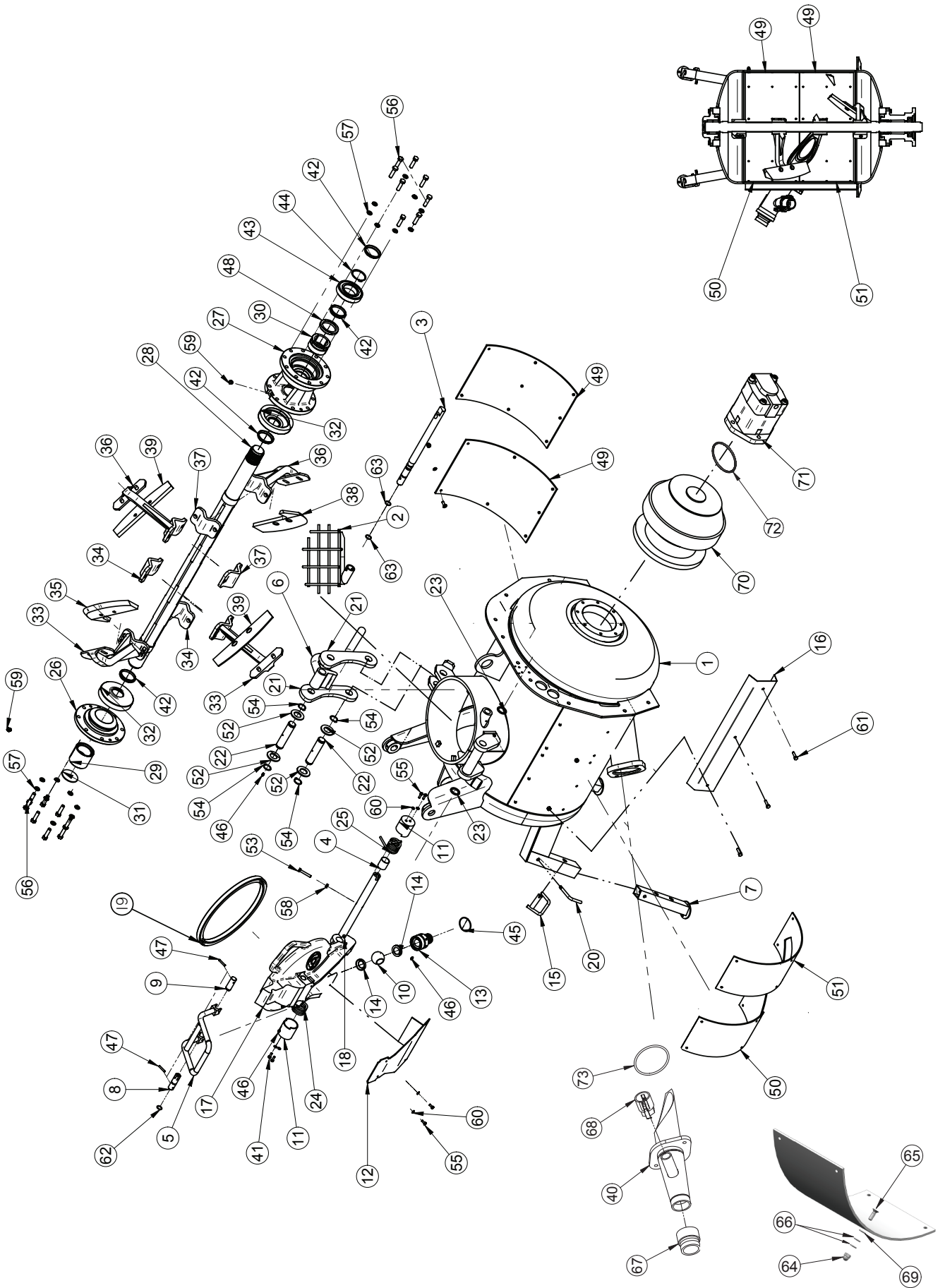


TAV.1

TAV. 1 - STRUTTURA MACCHINA- STRUCTURE MACHINE - MACHINE STRUCTURE - MASCHINENAUFBAU - ESTRUCTURA DE LA MAQUINA					
RIF.	I	F	GB	D	E
1	COMPRESSORE	COMPESSEUR	COMPRESSOR	KOMPRESSOR	COMPRESOR
2	SERBATOIO IMER 270	RESERVOIR IMER 270	TANK IMER 270	MISCHBEHALTER IMER 270	DEPOSITO IMER 270
3	ASSALE+RUOTE	ESSIEU+ROUE	AXELE+WHEEL	ACHSE+RAD	AJE+RUEDA
4	BENNA+CILINDRO	BENNE+CYLINDRE	BUCKRT+CYLINDER	BESCHICKER+ZYLINDER	CUCHARA+CILINDRO
5	BARRA LUCI	BARRE ECLAIRAGE	LIGHTS BAR	LEUCHTEINLEISTE	BARRA DE LUCES



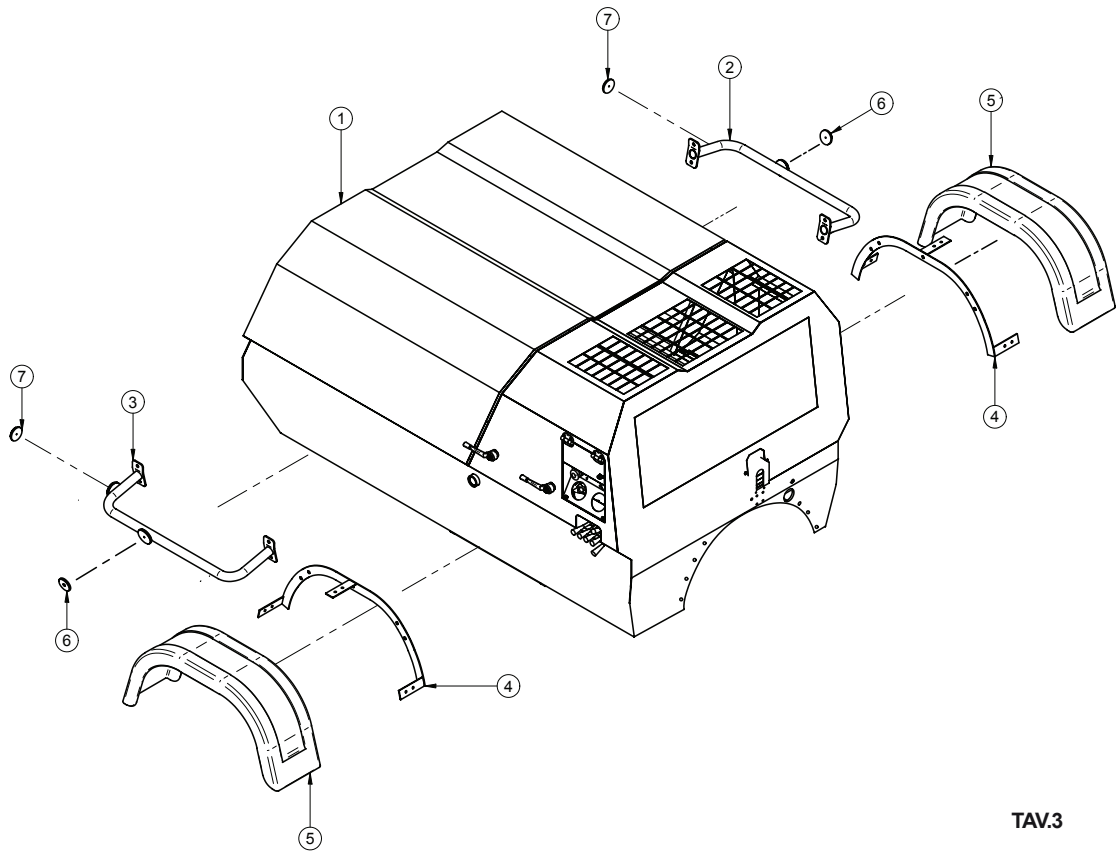
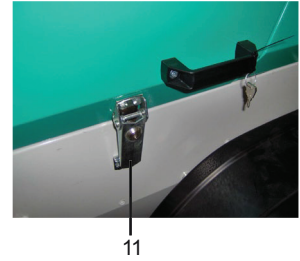
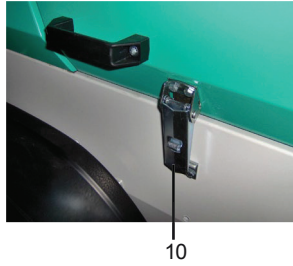
Documentazione senza certificazione CE
Documentazione without CE certificate



TAV.2

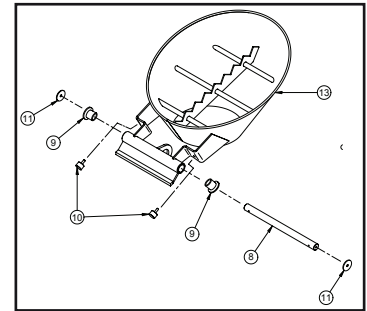
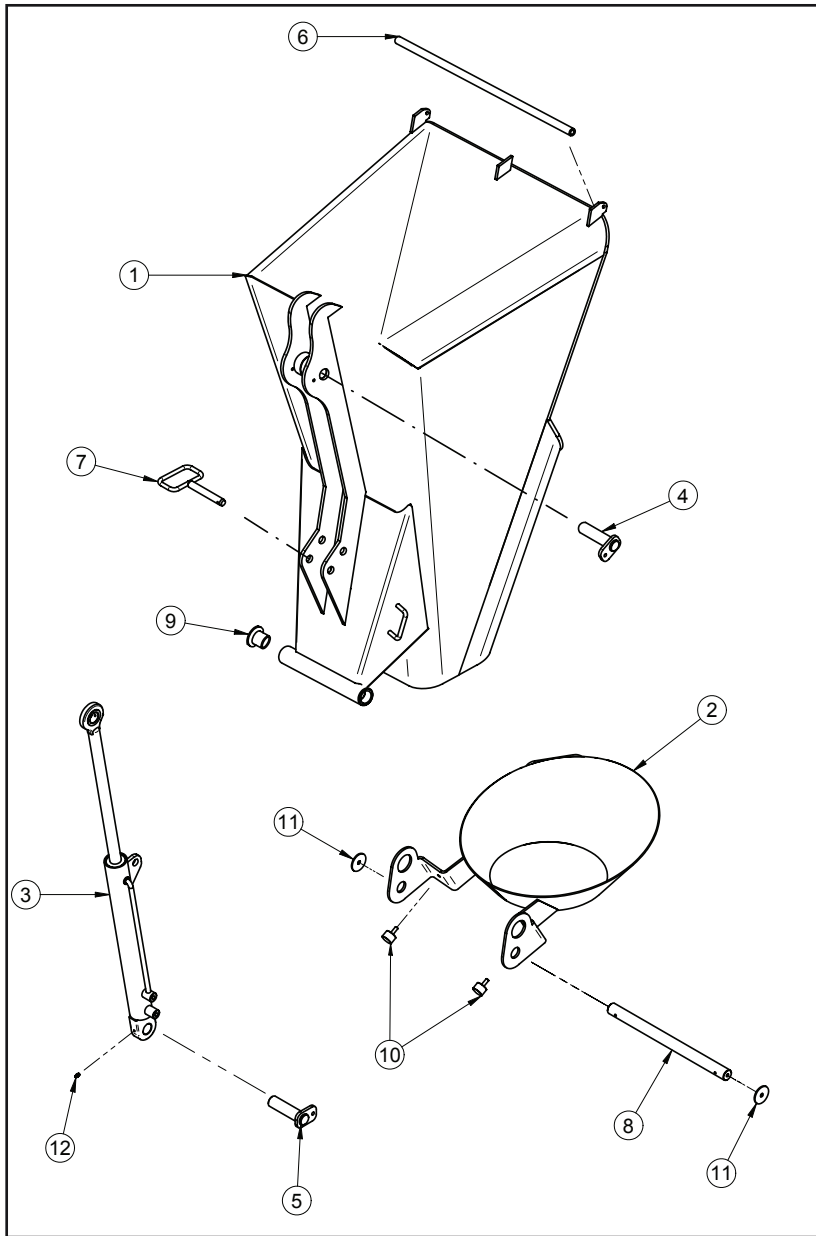


TAV. 2 - SERBATOIO 190 - RÉSERVOIR 190 - TANK 190 - MISCHBEHÄLTER 190 - DEPOSITO 190							
RIF.	COD.	I	F	GB	D	E	NOTE
1	3223731	SERBATOIO 190	RÉSERVOIR 190	TANK 190	MISCHBEHÄLTER 190	DEPOSITO 190	
2	3223801	GRIGLIA	GRILLE	GRILL	GITTER	REJILLA	
3	3223816	PERNO 190	AXE 190	PIN190	BOLZEN 190	PERNO 190	
4	3223921	BOCCOLA PERNO	DOUILLE AXE	PIN BUSHING	BOLZENBUCHSE	CASQUILLO PERNO	
5	3223775	MANIGLIA	POIGNÉE	HANDLE	GRIFF	MANILLA	
6	3223776	MANIGLIA	POIGNÉE	HANDLE	GRIFF	MANILLA	
7	3223772	PIEDE SERBATOIO 190/270	PIED RÉSERVOIR 190/270	TANK FOOT 190/270	STELLFUSS MISCHBEHÄLTER 190/270	PIE DEL DEPOSITO 190/270	
8	3223781	PERNO DX	AXE DTE	RH PIN	RE. BOLZEN	PERNO DERECHO	
9	3223782	PERNO SX	AXE GCHE	LH PIN	LI. BOLZEN	PERNO IZQUIERDO	
10	3223787	VALVOLA A SFERA	SOUPAPE A BILLE	BALL VALVE	KUGELVENTIL	VÁLVULA DE ESFERA	
11	3223784	SOPRAMOLLA	DESSUS DE RESSORT	SPRING CAP	ÜBERFEDER	SOBREMUELLE	
12	3223783	CONVOGLIATORE ARIA	CONVOYEUR AIR	AIR MANIFOLD	DRUCKLUFTFÖRDERER	CONDUCTO DE AIRE	
13	3223788	RACCORDO	RACCORD	UNION	ANSCHLUSS	EMPALME	
14	3223789	GUARNIZIONE	JOINT	GASKET	DICHTUNG	JUNTA	
15	3224822	SPINA	FICHE	PIN	STECKER	CLAVIJA	
16	3224841	PROTEZIONE TUBI 190	PROTECTION TUYAUX 190	PIPE GUARD 190	SCHLAUCHSCHUTZ 270	PROTECCIÓN MANGUERAS 190	
17	3223771	BOCCAPORTO	BOUCHE DE SORTIE	HATCH	DECKEL	BOCA DEL DEPOSITO	
18	3223955	ALBERO BOCCAPORTO	ARBRE BOUCHE DE SORTIE	HATCH SHAFT	DECKELWELLE	EJE BOCA DEPOSITO	
19	3223779	GUARNIZIONE	JOINT	SEAL	DICHTUNG	JUNTA	
20	3223780	SPINA	FICHE	PIN	STECKER	CLAVIJA	
21	3223954	LAMIERA ROTAZIONE	TÔLE ROTATION	ROTATION SHEET	DREHBLECH	CHAPA ROTACIÓN	
22	3223953	PERNO	AXE	PIN	BOLZEN	PERNO	
23	3223956	DISTANZIALE	ENTRETOISE	SPACER	ABSTANDHALTER	MOLLA DX	
24	3223785	MOLLA SX	RESSORT GCHE	LH SPRING	LI. FEDER	MUELLE IZQUIERDO	
25	3223786	MOLLA DX	RESSORT DTE	RH SPRING	RE. FEDER	MUELLE DERECHO	
26	3223757	SUPPORTO LATO CIECO	FLASQUE POSTÉRIEURE	REAR FLANGE	HINTERER FLANSCH	BRIDA POSTERIOR	
27	3223756	SUPPORTO LATO RIDUTTORE	FLASQUE ANTERIEURE	FRONT FLANGE	VORDERER FLANSCH	BRIDA DELANTERA	
28	3223754	ALBERO SERB.190	ARBRE RÉSERV. 190	TANK SHAFT 190	WELLE MISCHBEHÄLTER 190	EJE DEPOSITO 190	
29	3224613	BOCCOLA	DOUILLE	BUSHING	BUCHSE	CASQUILLO	
30	3224614	BOCCOLA	DOUILLE	BUSHING	BUCHSE	CASQUILLO	
31	3224615	ESTRATTORE	EXTRACTEUR	EXTRACTOR	ABZIEHER	EXTRACTOR	
32	3224616	GUARNIZIONE	JOINT	SEAL	DICHTUNG	JUNTA	
33	3223743	SUPPORTO PALA DX	SUPPORT PALE DTE	RH BLADE SUPPORT	RE. SCHAUFELHALTERUNG	SOPORTE PALA DER.	
34	3223747	MORSETTO DX	BORNE DTE	RH CLAMP	RE. KLEMME	GRAPA DER.	
35	3225111	PALA LAT.DX 190	PALE DTE 190	RH BLADE 190	RE. SCHAUFEL 190	PALA LAT. DER. 190	
36	3223744	SUPPORTO PALA SX	SUPPORT PALE GCHE	LH BLADE SUPPORT	LI. SCHAUFELHALTERUNG	SOPORTE PALA IZQ.	
37	3223748	MORSETTO SX	BORNE GCHE	LH CLAMP	LI. KLEMME	GRAPA IZQ.	
38	3225110	PALA LAT.SX 190	PALE GCHE 190	LH BLADE 190	LI. SCHAUFEL 190	PALA LAT. IZQ. 190	
39	3225112	PALA CENTRALE	PALE CENTRALE	MIDDLE BLADE	MITTIGE SCHAUFEL	PALA CENTRAL	
40	3229535	COLLETTORE CONICO	COLLECTEUR CONIQUET	CONICAL MANIFOLD	SAMMELLEITUNG KONISCHEN	COLECTOR CONICO	
41	2222016	VITE	VIS	SCREW	SCHRAUBE	TORNILLO	TE 8.8 5739 M6x20 Z
42	3224618	ANELLO RASCIATORE	JOINT SCRAPETTE	SCRAPER RING	ABSTREIFRING	ANILLO RASCADOR	
43	3224617	CUSCINETTO	PALIER	BEARING	LAGER	COJINETE	
44	2227210	ANELLO	BAGUE	RING	RING	ANILLO	3653 E/60
45	3226260	ANELLO OR	JOINT OR	O-RING	RUNDRING	JUNTA TORICA	3225
46	3223909	INGRASSATORE	GRAISSEUR	GREASE NIPPLE	SCHMIERNIPPEL	ENGRASADOR	
47	2228500	SPINA	FICHE	PIN	STECKER	CLAVIJA	
48	1207168	ANELLO PARAOLIO	JOINT PARE-HUILE	OIL SEAL RING	ÖLABSTREIFRING	ANILLO RETÉN ACEITE	80x60x10
49	3223961	FASCE 190	COLLIERS 190	BANDS 190	UMMANTELUNGEN 190	PLACAS190	
50	3223960	FASCIA SX SERB.190	COLLIER GCHE RÉSERV.190	LH BAND TANK 190	LI. UMMANTELUNG MISCHBEHÄLTER 190	PLACA IZQ. DEPOSITO 190	
51	3223962	FASCIA DX SERB.190	COLLIER DTE RÉSERV.190	RH BAND TANK 190	RE. UMMANTELUNG MISCHBEHÄLTER 190	PLACA DER. DEPOSITO 190	
52	2224519	ROSETTA	RONDELLE	WASHER	UNTERLEGSCHLEIBE	ARANDELA	6593 31X56X4
53	1222050	VITE	VIS	SCREW	SCHRAUBE	TORNILLO	TE 8.8 5739 M8X50 Z
54	2227240	ANELLO	BAGUE	RING	RING	ANILLO	7435 E/30
55	2222002	VITE	VIS	SCREW	SCHRAUBE	TORNILLO	TE 8.8 5739 6x16 Z
56	2222050	VITE	VIS	SCREW	SCHRAUBE	TORNILLO	TE 8.8 5739 12x45 Z
57	3211038	ROSETTA	RONDELLE	WASHER	UNTERLEGSCHLEIBE	ARANDELA	6592 13X24 Z
58	2223570	DADO	ECROU	NUT	MUTTER	TUERCA	5588 M8
59	2230600	INGRASSATORE	GRAISSEUR	GREASE NIPPLE	SCHMIERNIPPEL	ENGRASADOR	1/4" GAS
60	2224519	ROSETTA	RONDELLE	WASHER	UNTERLEGSCHLEIBE	ARANDELA	6593 31X56X4
61	2222006	VITE	VIS	SCREW	SCHRAUBE	TORNILLO	TE 8.8 5739 8X30 Z
62	3224485	ANELLO OR	JOINT OR	O-RING	RUNDRING	JUNTA TORICA	123
63	3224331	ANELLO OR	JOINT OR	O-RING	RUNDRING	JUNTA TORICA	128
64	3227126	DADO CIECO	ECROU BORGNE	CAP NUT	SCHRAUBKAPPE	TUERCA CIEGA	M8
65	3201339	VITE	VIS	SCREW	SCHRAUBE	TORNILLO	TSPEI 8X25 Z
66	3227123	ROSETTA	RONDELLE	WASHER	UNTERLEGSCHLEIBE	ARANDELA	RAME 8X14X1.5
67	3223819	ATTACCO A CAME	ACCOUPLMENT PAR CAMES	CAM-LOCK COUPLING	NOCKENANSCHLUSS	RACOR TIPO CAMLOCK	DN 65 M2" 1/2" GF
68	3223704	ATTACCO A CAME	ACCOUPLMENT PAR CAMES	CAM-LOCK COUPLING	NOCKENANSCHLUSS	RACOR TIPO CAMLOCK	DN 35 F 1" GF
69	3227124	ROSETTA	RONDELLE	WASHER	UNTERLEGSCHLEIBE	ARANDELA	ALLUMINIO 8X14X1.5
70	3228280	RIDUTTORE	RÉDUCTEUR	REDUCER		REDUCTOR	
71	3228281	MOTORE IDRAULICO	MOTEUR HYDRAULIQUE	HYDRAULIC MOTOR	MOTOR HYDRAULIKANLANLANGE	MOTOR OLEODINAMICO	
72	3227897	O-RING	BAUGE	RING	RING	ANILLO	
73	3225169	O-RING	BAUGE	RING	RING	ANILLO	8-4537 D.INT 136.10



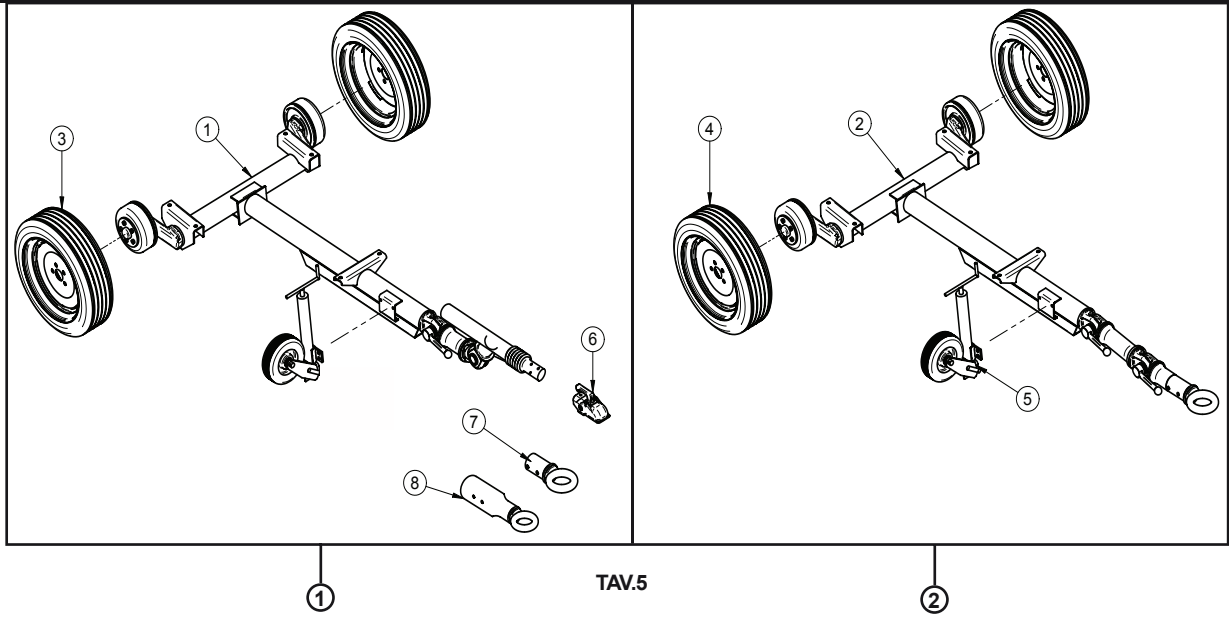
TAV.3

TAV. 3 COMPRESSORE-COMPRESSEUR-COMPRESSOR-KOMPRESSOR-COMPRESOR							
Rif.	Cod.	I	F	GB	D	E	
1	3227650	COMPRESSORE	COMPRESSEUR	COMPRESSOR	KOMPRESSOR	COMPRESOR	ROTAIR MDVN 25 AL
2	3223947	BARRA ANTICICLISTICA SX	BARRE ANTCYCLISTE GAUCHE	SIDE IMPACT BAR LH	BAR FAHRRADSCHUTZSTAB RE.	BARRA ANTICICLISTA IZQ.	
3	3226182	BARRA ANTICICLISTICA DX	BARRE ANTCYCLISTE DROITE	SIDE IMPACT BAR RH	BAR FAHRRADSCHUTZSTAB LI.	BARRA ANTICICLISTA DER.	
4	3223946	SUPPORTO PARAFANGO	SUPPORT DE GARDE BOUE	MUDGUARD SUPPORT	KOTFLÜGELHALTERUNG	SOPORTE GUARDA BARROS	
5	3223945	PARAFANGO	GARDE-BOUE	FENDER	KOTFLUGEL	GUARDA BARROS	
6	3224855	CATADIOTTRO GIALLO	REFLÉCHISSANT BLANC	REFLECTOR YELLOW	RÜCKSTRAHLER GELB	REFLEXIVO	D 60
7	3224854	CATADIOTTRO BIANCO	REFLÉCHISSANT	REFLECTOR WHITE	RÜCKSTRAHLER AMBESCHRIEBEN	REFLEXIVO BLANCO	D 60
8	3224101	CUNEO ARRESTO TRAINO	COIN ARRESTATION D'ATTELAGE	BLOCKAGE TOWING WEDGE	KEIL STOPPEN ZUGAUGE	CUNA TOPE REMOLQUE	
9	3224141	SUPPORTO ARRESTO TRAINO	SUPPORT ARRESTATION D'ATTELAGE	BLOCKAGE TOWING SUPPORT	HALTERUNG STOPPEN ZUGAUGE	SOPORTE TOPE REMOLQUE	
10	3226954	CHIUSURA	FERMETURE	CLOSURE	SCHLIEßEN	CIERRE	
11	3226955	CHIUSURA CON CHIAVE	FERMETURE AVE CLÉ	CLOSURE WITH KEY	SCHLIEßEN MIT SCHLÜSSEL	CIERRE CON LLAVE	



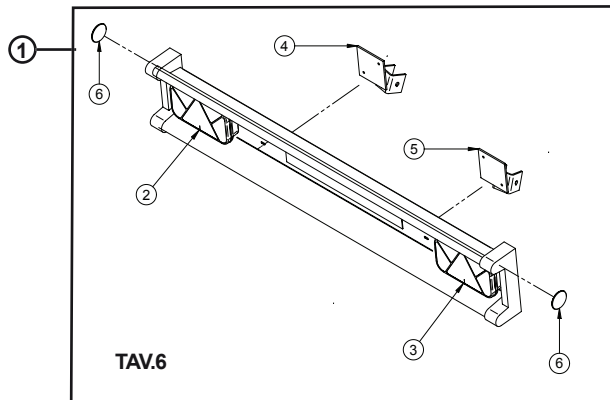
TAV.4

TAV.4 BENNA-BENNE-BUCKET-BESCHICKER-CUCHARA							
Rif.	Cod.	I	F	GB	D	E	NOTE
1	3223861	BENNA 190	BENNE 190	BUCKET 190	BESCHICKER 190	CUCHARA 190	
2	3223800	CONVOGLIATORE	CONVOYEUR	CONVEYOR	FORDERER	TRANSPORTADOR	
3	3223912	CILINDRO	CYLINDRE	CYLINDER	ZYLINDER	CILINDRO	D60 C410
4	3223803	PERNO ATTACCO BENNA	AXE ACCOUPLE- MENT BENNE	CONNECTION PIN BUCKET	ANSCHLUSSBOLZEN BESHICKER	PERNO DE FIJACION CUCHARA	
5	3223905	PERNO BLOCCAG- GIO PISTONE	AXE	PIN	BOLZEN	PERNO	
6	3223927	RULLO	ROULEAU	ROLLER	WALZE	RODILLO	
7	3224624	MANIGLIA BLOC- CAGGIO BENNA	POIGNEE	HANDLE	GRIFF	MANILLA	
8	3223905	PERNO BLOCCAG- GIO PISTONE	AXE	PIN	BOLZEN	PERNO	
9	3223805	BOCCOLA	DOUILLE	BUSHING	BUCHSE	CASQUILLO	IGUS GFM-3034-26
10	3225091	ANTIVIBRANTE	ANTIVIBRANT	VIBRATION DAMPER	SCHWINGUNGS- DAMPFER	ANTIVIBRADOR	SERIE C VERSIONE PM
11	1224113	ROSETTA	RONDELLE	WASHER	UNTERLEGSCHIEBE	ARANDELA	10X50X3
12	3223909	INGRASSATORE	GRAISSEUR	GREASE NIPPLE	SCHMIERNIPPEL	ENGRASADOR	
13	3223809	CONVOGLIATORE MANUALE	CONVOYEUR MANUEL	MANUAL CONVEYOR	HANDBUCH FOR- DERER	TRANSPORTADOR MANUAL	



TAV.5

TAV.5 ASSALE - ESSIEU - AXLE - ACHSE - EJE							
Rif.	Cod.	I	F	GB	D	E	NOTE
1	3233420	ASSALE STRADALE	ESSIEU À LA ROUTIER	AXLE TO ROAD	ACHSE STRAßENVERKEHR	EJE DE LA CARRETERA	
2	3228007	ASSALE NON STRADALE	ESSIEU PAS À LA ROUTIER	AXLE NOT TO ROAD	ACHSE NICHT ZUM STRAßENVERKEHR	EJE NO A LA CARRETERA	
3	3227659	RUOTA	ROUE	WHEEL	RAD	RUEDA	185/R14C
4	3225536	RUOTA	ROUE	WHEEL	RAD	RUEDA	205/65-R15
5	3234893	RUOTINO STRADALE	ROUE À LA ROUTIER	JOCKEY WHEEL TO ROAD	KLEINES RAD STRAßENVERKEHR	RUEDA DE LA CARRETERA	
5	3224848	RUOTINO NON STRADALE	ROUE PAS À LA ROUTIER	JOCKEY WHEEL NOT TO ROAD	KLEINES RAD NICHT STRAßENVERKEHR	RUEDA NO DE LA CARRETERA	
6	3209959	TESTINA TRAINO	TETE D'ATTELAGE	TOWING HEAD	ZUGAUGE	CABEZAL REMOLQUE	
7	3234180	OCCHIONE FRANCIA	ANNEAU FRANCE	TOWIN EYE TIPE FRANCE	GESCHWEISSTE	ANILLO REMOLQUE	OPTIONAL 68x42
8	3234181	OCCHIONE ITALIA	ANNEAU FRANCE	TOWIN EYE TIPE ITALY	GESCHWEISSTE	ANILLO REMOLQUE	OPTIONAL 45x31
	3234179	OCCHIONE DIN D.40	ANNEAU	TOWIN EYE DIN D.40	GESCHWEISSTE	ANILLO REMOLQUE	OPTIONAL DIN D.40



TAV.6

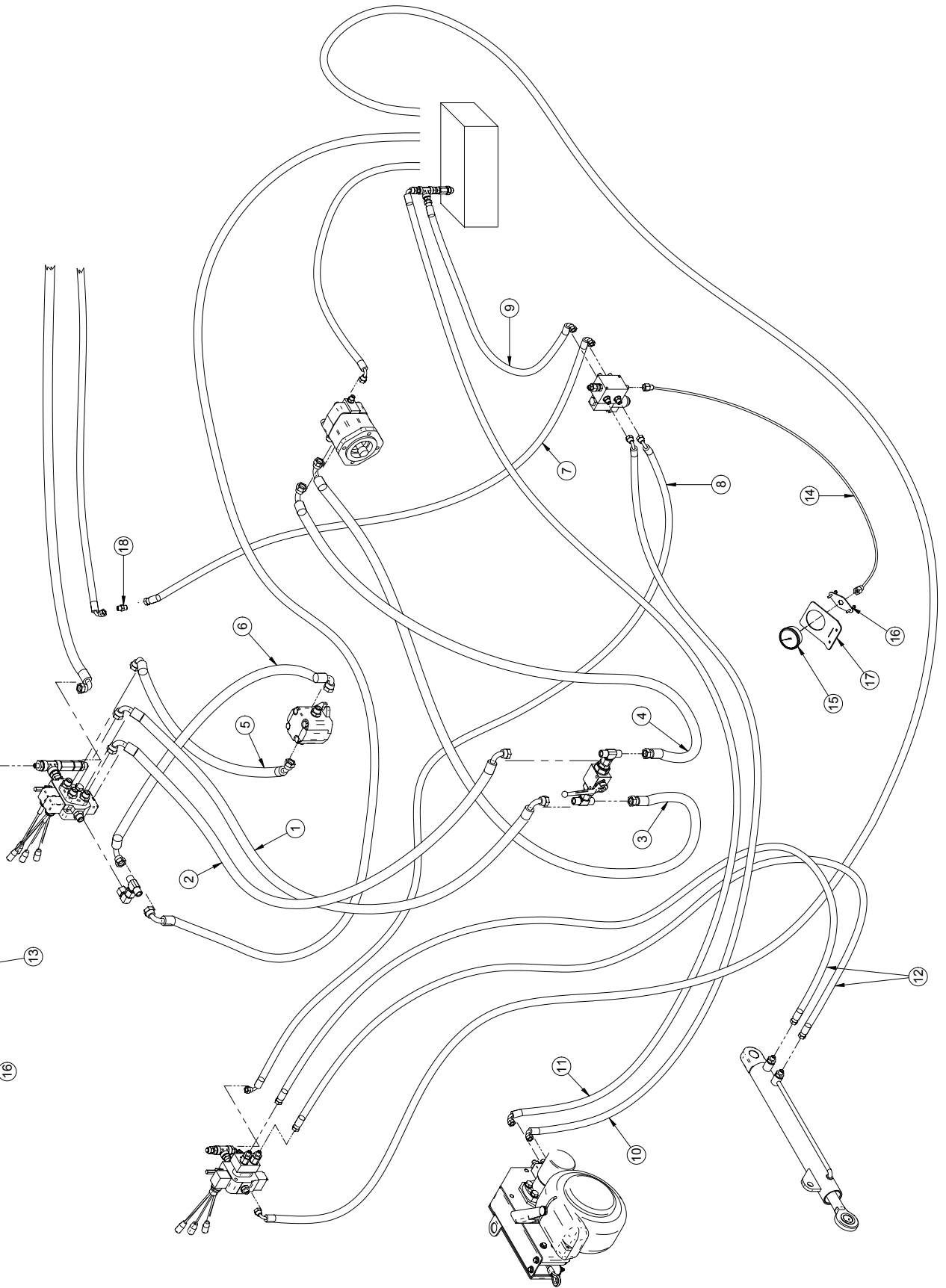
TAV.6 BARRA LUCI - BARRE ECLAIRAGE - LIGHTS BAR - LEUCHTEINLEISTE - BARRA DE LUCES							
Rif.	Cod.	I	F	GB	D	E	NOTE
1	3223944	BARRA LUCI	BARRE ECLAIRAGE	LIGHTS BAR	LEUCHTENLEISTE	BARRA LUCES	
2	3224520	FANALE MULTIPPOINT SX	LANTERNE MULTIPPOINT GAUCHE	LH MULTIPPOINT LIGHT	MULTIPPOINT-SCHWEINWERFER LI	FARO MULTIPPOINT IZQ.	
3	3224519	FANALE MULTIPPOINT DX	LANTERNE MULTIPPOINT DROITE	RH MULTIPPOINT LIGHT	MULTIPPOINT-SCHWEINWERFER RE	FARO MULTIPPOINT DER.	
4	3227838	SUPPORTO BARRA LUCI DX	SUPPORT BARRE ECLAIRAGE GAUCHE	LIGHTS BAR SUPPORT HALTERUNG RH	LEUCHTENLEISTE	SOPORTE BARRA LUCES DER.	
5	3227838	SUPPORTO BARRA LUCI SX	SUPPORT BARRE ECLAIRAGE DROITE	LIGHTS BAR SUPPORT HALTERUNG LH	LEUCHTENLEISTE	SOPORTE BARRA LUCES IZQ.	
6	3224855	CATADIOTTRO GIALLO	REFLÉCHISSANT BLANC	REFLECTOR YELLOW	RÜCKSTRAHLER GELGB	REFLEXIVO	D.60



TAV.7 - IMPIANTO OLEODINAMICO - CIRCUIT HYDRAULIQUE - IMPLANTATION - IMPLANT HYDRAULIC SYSTEM - EINPFLANZEN HYDRAULIKANLAGE - SISTEMA OLEODINAMICO							
Rif.	Cod.	I	F	GB	D	E	NOTE
1	3227712	DISTRIBUTORE	DISTRIBUTEUR	DISTRIBUTOR	STEUERGERÄT	DISTRIBUIDOR	MD/2 AV C1L C3L
2	3227713	DISTRIBUTORE	DISTRIBUTEUR	DISTRIBUTOR	STEUERGERÄT	DISTRIBUIDOR	MD/1 AZ(CAPP) A1L
3	3251846	RONDELLA GM AUTOCENTRANTE 3/8"	RONDELLE GM AUTOCENTRANTE 3/8"	SELF-CENTERING WASHER GM 3/8"	SELBSTZENTRIERENDE GM-UNTERLEGSCHLEIBE 3/8"	ARANDELA GM AUTOCENTRANTE 3/8"	
4	3225154	NIPLES OLEOD. RIDOTTO CIL. 1/2"-3/8"	NIPLES HYDR. REDUIT CYL. 1/2" 3/8"	CYL. REDUCED HYDRAULIC NIPPLE 1/2" 3/8"	HYDR.-NIPPEL REDUZIERSTÜCK ZYL. 1/2" 3/8"	NIPLE OLEOD. REDUCTOR CIL. 1/2" 3/8"	
5	3225624	ADATTATORE OLEOD. 1/2" M.F.	ADAPTATEUR HYDR. 1/2" M.F.	HYDRAULIC ADAPTER 1/2" M.F.	HYDR.PASSSTÜCK 1/2" S.-B.	ADAPTADOR OLEOD.	1/2"
6	1220140	RONDELLA GM AUTOCENTRANTE 1/2"	RONDELLE GM AUTOCENTRANTE 1/2"	SELF-CENTERING WASHER GM 1/2"	SELBSTZENTRIERENDE GM-UNTERLEGSCHLEIBE 1/2"	ARANDELA GM AUTOCENTRANTE 1/2"	1/2"
7	3225632	RACCORDO OLEOD. T.F. 1/2"	RACCORD HYDR. T.F. 1/2"	HYDRAULIC T UNION F. 1/2"	HYDR.ANSCHL. KOPF B. 1/2"	EMPALME OLEOD. T.H. 1/2"	1/2"
8	3225695	PROLUNGA OLEOD.	RALLONGE HYDR.	HYDRAULIC EXTENSION	VERLÄNGERUNG HYDRAULIK	PROLONGACIÓN OLEOD. M.F.	1/2" L.45MM SV.60°
9	3225772	CURVA 90° M.F.GIR. 1/2"	COUDE 90° M.F.PIV. 1/2"	90° BEND M.F. SWIVEL 1/2"	WINKELSTÜCK 90° S-B DREHB. 1/2"	CURVA 90° M.H. GIR. 1/2"	90° 1/2"
10	3225163	RACCORDO OLEOD.	RACCORD HYDR.	HYDRAULIC TUNION	ANSCHLUSS HYDR.	EMPALME OLEOD. "T" M.F. 1/2" GIR.	"T" M.F. 1/2"
11	3225160	TAPPO ESAGONALE OLEOD. 3/8" SV 60°	BOUCHON HEXAGONAL HYDR. 3/8" SV 60°	HYDRAULIC HEX. PLUG 3/8" FL. 60°	SECHSKANTVERSCHL. HYDR. 3/8"	TAPÓN HEXAGONAL OLEOD. 3/8" AV. 60°	
12	3225153	NIPLES OLEOD. CILIND. 3/8" SV. 60°	NIPLES HYDR. CYL. 3/8" SV. 60°	CYL. HYDRAULIC NIPPLE 3/8" FL. 60°	NIPPEL HYDR. ZYL. 3/8" AUSGESENKT 60°	NIPLE OLEOD. CILIND. 3/8" AV. 60°	
13	3225694	ADATTATORE OLEOD. 3/8" M.F.	ADAPTATEUR HYDR. 3/8" M.F.	HYDRAULIC ADAPTER 3/8" M.F.	HYDR.PASSSTÜCK 3/8" S.-B.	ADAPTADOR OLEOD. 3/8"	3/8"
14	3225156	RACCORDO OLEOD.	RACCORD HYDR.	HYDRAULIC TUNION	ANSCHLUSS HYDR.	EMPALME OLEOD. "T"	"T" F.F.F. 3/8"
15	3225125	NIPLES OLEOD. RIDOTTO CIL. 1/2" - 1/4"	NIPLES HYDR. REDUIT CYL. 1/2" - 1/4"	CYL. REDUCED HYDRAULIC NIPPLE 1/2" - 1/4"	HYDR.-NIPPEL REDUZIERSTÜCK ZYL. 1/2" - 1/4"	NIPLE OLEOD. REDUCTOR CIL. 1/2" - 1/4"	1/2" - 1/4"
16	3225124	NIPLES OLEOD. RIDOTTO CIL. 3/8" - 1/4"	NIPLES HYDR. REDUIT CYL. 3/8" - 1/4"	CYL. REDUCED HYDRAULIC NIPPLE 3/8" - 1/4"	HYDR.-NIPPEL REDUZIERSTÜCK ZYL. 3/8" - 1/4"	NIPLE OLEOD. REDUCTOR CIL. 3/8" - 1/4"	3/8" - 1/4"
17	3225152	NIPLES OLEOD. CILIND. 1/2" SV. 60°	NIPLES HYDR. CYL. 1/2" SV. 60°	CYL. HYDRAULIC NIPPLE 1/2" FL. 60°	NIPPEL HYDR. ZYL. 1/2" AUSGESENKT 60°	NIPLE OLEOD. CILIND. 1/2" AV. 60°	1/2"
18	3225599	PROLUNGA OLEOD.	RALLONGE HYDR.	HYDRAULIC EXTENSION	VERLÄNGERUNG HYDRAULIK	PROLONGACIÓN OLEOD. M.F.	1/2" M.F. L.25MM SV.60°
19	3225638	TAPPO OLEOD. 1/4" F. SV 60°	BOUCHON HYDR. 1/4" F. SV 60°	HYDRAULIC HEX. PLUG 1/4" F. FL. 60°	SECHSKANTVERSCHL. HYDR. 1/4" F.	TAPÓN HEXAGONAL OLEOD. 1/4" F. AV. 60°	1/4" F.
20	3228281	MOTORE IDRAULICO	MOTEUR HYDR.	ENGINE HYDRAULIC	MOTOR HYDR.	MOTOR OLEOD.	HRC 200 CORTO
21	3223826	VALVOLA A SFERA	SOUPAPE A BILLE	BALL VALVE	KUGELVENTIL	VALVULA DE ESFERA	2 VIE RS 3/4" F.F.
22	3225165	RONDELLA GM AUTOCENTRANTE 3/4"	RONDELLE GM AUTOCENTRANTE 3/4"	SELF-CENTERING WASHER GM 3/4"	SELBSTZENTRIERENDE GM-UNTERLEGSCHLEIBE 3/4"	ARANDELA GM AUTOCENTRANTE 3/4"	3/4"
23	3225161	NIPLES OLEOD. RIDOTTO CIL. 3/4" - 1/2"	NIPLES HYDR. REDUIT CYL. 3/4" - 1/2"	CYL. REDUCED HYDRAULIC NIPPLE 3/4" - 1/2"	HYDR.-NIPPEL REDUZIERSTÜCK ZYL. 3/4" - 1/2"	NIPLE OLEOD. REDUCTOR CIL. 3/4" - 1/2"	3/4" - 1/2"
24	3251845	RONDELLA GM AUTOCENTRANTE 1/4"	RONDELLE GM AUTOCENTRANTE 1/4"	SELF-CENTERING WASHER GM 1/4"	SELBSTZENTRIERENDE GM-UNTERLEGSCHLEIBE 1/4"	ARANDELA GM AUTOCENTRANTE 1/4"	1/4"
25	3225123	NIPLES OLEOD. CILIND. 1/4" SV. 60°	NIPLES HYDR. CYL. 1/4" SV. 60°	CYL. HYDRAULIC NIPPLE 1/4" FL. 60°	NIPPEL HYDR. ZYL. 1/4" AUSGESENKT 60°	NIPLE OLEOD. CILIND. 1/4" AV. 60°	1/4"
26	3228547	ELETTRODISTRIBUTORE	DISTRIBUTEUR ÉLECTRIQUE	ELECTRICAL DISTRIBUTOR	STEUERGERÄT ELEKTRISCH	DISTRIBUIDOR ELÉCTRICO	
27	3228593	PROLUNGA OLEOD.	RALLONGE HYDR.	HYDRAULIC EXTENSION	VERLÄNGERUNG HYDRAULIK	PROLONGACIÓN OLEOD. M.F.	1/4" M.F. L.25MM SV.60°
28	3225155	ADATTATORE OLEOD. 1/4" M.F.	ADAPTATEUR HYDR. 1/4" M.F.	HYDRAULIC ADAPTER 1/4" M.F.	HYDR.PASSSTÜCK 1/4" M.F. S.-B.	ADAPTADOR OLEOD. 1/4" M.F.	1/4" M.F. GIREVOLE
29	3225629	RACCORDO OLEOD. "T"	RACCORD HYDR.	HYDRAULIC TUNION	ANSCHLUSS HYDR.	EMPALME OLEOD. "T"	"T" F. 1/4"
30	3228094	MOTORE IDRAULICO	MOTEUR HYDR.	ENGINE HYDRAULIC	MOTOR HYDR.	MOTOR OLEOD.	8 CC
31	3226389	RONDELLA GM AUTOCENTRANTE 1/8"	RONDELLE GM AUTOCENTRANTE 1/8"	SELF-CENTERING WASHER GM 1/8"	SELBSTZENTRIERENDE GM-UNTERLEGSCHLEIBE 1/8"	ARANDELA GM AUTOCENTRANTE 1/8"	
32	3225646	TAPPO OLEOD. 1/8" M. SV 60°	BOUCHON HYDR. 1/8" M. SV 60°	HYDRAULIC HEX. PLUG 1/8" M. FL. 60°	SECHSKANTVERSCHL. HYDR. 1/8" M	TAPÓN HEXAGONAL OLEOD. 1/8" M. AV. 60°	1/8" M
33	3223892	MOTORE IDRAULICO	MOTEUR HYDR.	ENGINE HYDRAULIC	MOTOR HYDR.	MOTOR OLEOD.	BR 100
34	3228017	KIT VALVOLA DI MAX	KIT LIMITEUR DE PRESSION	BAUSATZ PRESSURE RELIEF VALVE	KIT DRUCKBEGRENZUNGSVENTIL	KIT VALVULA DE MAXIMA	



Documentazione senza certificazione CE
Documentation without CE certificate



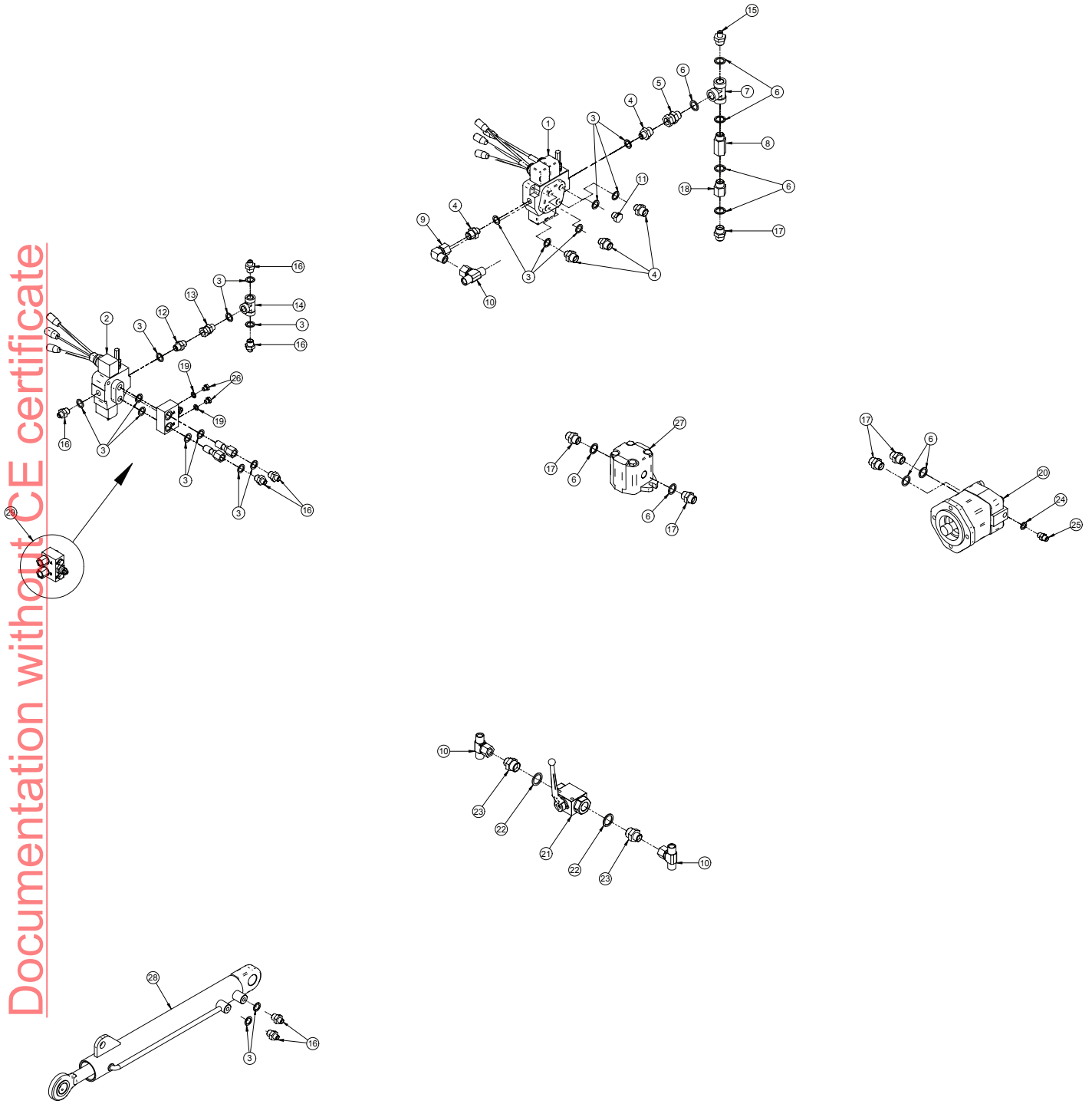
TAV.8



Documentazione senza certificazione CE
Documentation without CE certificate

TAV.8 IMPIANTO OLEODINAMICO - CIRCUIT HYDRAULIQUE - IMPLANTATION - IMPLANT HYDRAULIC SYSTEM - EINPFLANZEN HYDRAULIKANLAGE - SISTEMA OLEODINAMICO							
Rif.	Cod.	I	F	GB	D	E	
1	3228002	TUBO	TUYAU	PIPE	SCHLAUCH	TUBO	L.410 mm
2	3228001	TUBO	TUYAU	PIPE	SCHLAUCH	TUBO	L.640 mm
3	3228003	TUBO	TUYAU	PIPE	SCHLAUCH	TUBO	L.940 mm
4	3228004	TUBO	TUYAU	PIPE	SCHLAUCH	TUBO	L.1100 mm
5	3228186	TUBO	TUYAU	PIPE	SCHLAUCH	TUBO	L.780 mm
6	3228185	TUBO	TUYAU	PIPE	SCHLAUCH	TUBO	L.410 mm
7	3228595	TUBO	TUYAU	PIPE	SCHLAUCH	TUBO	1/4" L.1200 mm
8	3228596	TUBO	TUYAU	PIPE	SCHLAUCH	TUBO	1/4" L.1200 mm
9	3228594	TUBO	TUYAU	PIPE	SCHLAUCH	TUBO	1/4" L.1700 mm
10	3225101	TUBO	TUYAU	PIPE	SCHLAUCH	TUBO	1/4" L.3600 mm
11	3225100	TUBO	TUYAU	PIPE	SCHLAUCH	TUBO	1/4" L.3680 mm
12	3227995	TUBO	TUYAU	PIPE	SCHLAUCH	TUBO	1/4" L.2060 mm
13	3225600	MINI FLESSIBILE	MINIFLEXIBLE	MINI FLEXIBLE	METALLSCHLAUCH	MINIFLEXIBLE	L.600 mm
14	3225158	MINI FLESSIBILE	MINIFLEXIBLE	MINI FLEXIBLE	METALLSCHLAUCH	MINIFLEXIBLE	L.1500 mm
15	3224779	MANOMETRO	MANOMETRE	PRESSURE GAUGE	MANOMETER	MANÒMETRO	0-400 BAR
16	3224780	STAFFA MANOMETRO	ETRIER MANOMETRE	BRCKET PRESSURE GAUGE	BÜGEL MANOMETER	SOPORTE MANÒMETRO	
17	3225129	STAFFA	ETRIER	BRCKET	BÜGEL	SOPORTE	
18	3225123	NIPLES OLEOD. CILIND. 1/4" SV. 60°	NIPLES HYDR. CYL. 1/4" SV. 60°	CYL. HYDRAULIC NIPPLE 1/4"FL. 60°	NIPPEL HYDR. ZYL. 1/4" AUSGESENKT 60°	NIPLE OLEOD. CILIND. 1/4" AV. 60°	

Documentazione senza certificazione CE
Documentazione without CE certificate

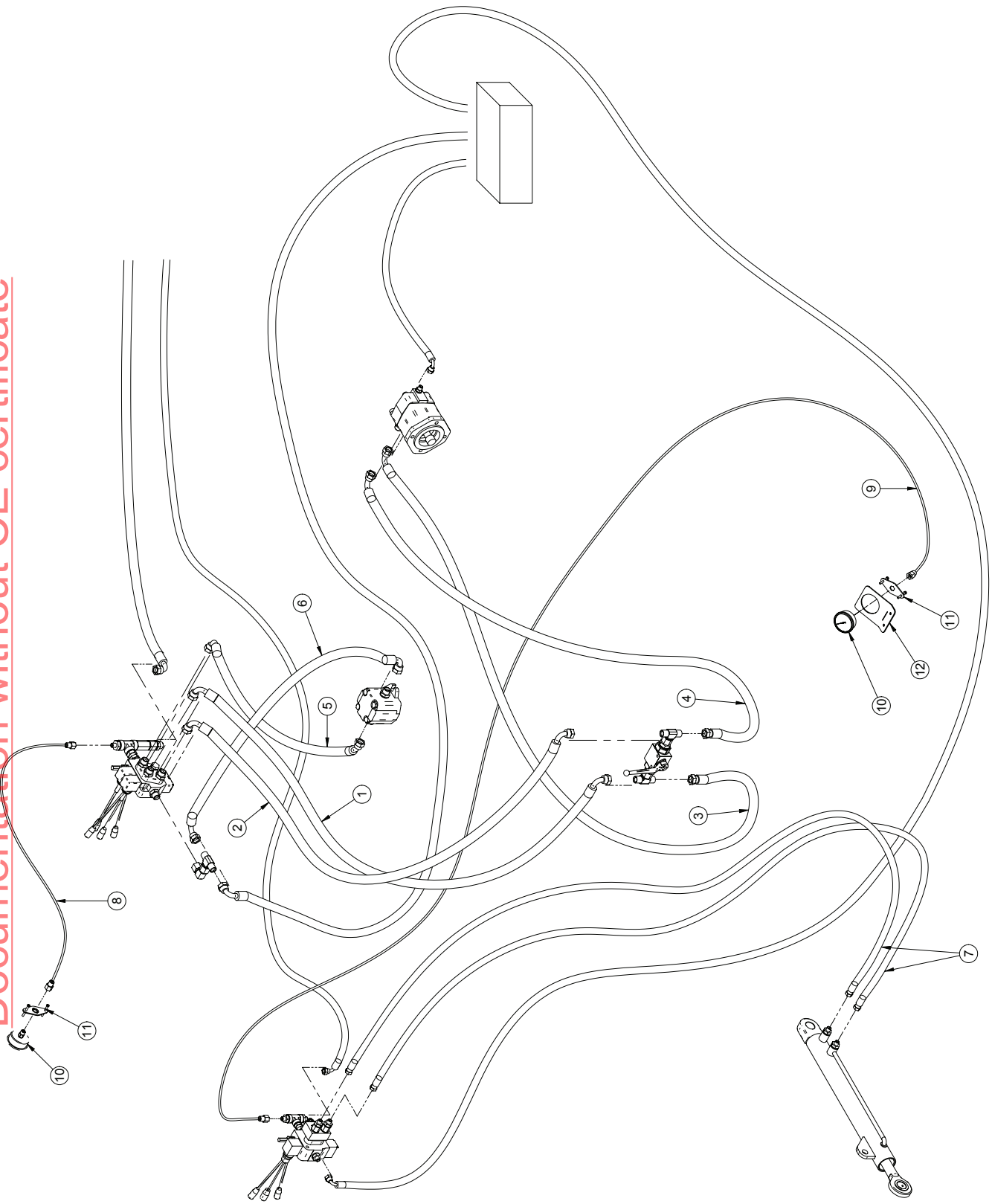


TAV.9



TAV.9 - IMPIANTO OLEODINAMICO - CIRCUIT HYDRAULIQUE - IMPLANTATION - IMPLANT HYDRAULIC SYSTEM - EINFPLANZEN HYDRAULIKANLAGE - SISTEMA OLEODINAMICO							
Rif.	Cod.	I	F	GB	D	E	NOTE
1	3227712	DISTRIBUTORE	DISTRIBUTEUR	DISTRIBUTOR	STEUERGERÄT	DISTRIBUIDOR	MD/2 AV C1L C3L
2	3227713	DISTRIBUTORE	DISTRIBUTEUR	DISTRIBUTOR	STEUERGERÄT	DISTRIBUIDOR	MD/1 AZ(CAPP) A1L
3	3251846	RONDELLA GM AUTOCENTRANTE 3/8"	RONDELLE GM AUTOCENTRANTE 3/8"	SELF-CENTERING WASHER GM 3/8"	SELBSTZENTRIERENDE GM-UNTERLEGSCHLEIBE 3/8"	ARANDELA GM AUTOCENTRANTE 3/8"	
4	3225154	NIPLES OLEOD. RIDOTTO CIL. 1/2"-3/8"	NIPLES HYDR. REDUIT CYL. 1/2" 3/8"	CYL. REDUCED HYDRAULIC NIPPLE 1/2" 3/8"	HYDR.-NIPPEL REDUZIERSTÜCK ZYL. 1/2" 3/8"	NIPLE OLEOD. REDUCTOR CIL. 1/2" 3/8"	
5	3225624	ADATTATORE OLEOD. 1/2" M.F.	ADAPTATEUR HYDR. 1/2" M.F.	HYDRAULIC ADAPTER 1/2" M.F.	HYDR.PASSSTÜCK 1/2" S.-B.	ADAPTADOR OLEOD.	1/2"
6	1220140	RONDELLA GM AUTOCENTRANTE 1/2"	RONDELLE GM AUTOCENTRANTE 1/2"	SELF-CENTERING WASHER GM 1/2"	SELBSTZENTRIERENDE GM-UNTERLEGSCHLEIBE 1/2"	ARANDELA GM AUTOCENTRANTE 1/2"	1/2"
7	3225632	RACCORDO OLEOD. T.F. 1/2"	RACCORD HYDR. T.F. 1/2"	HYDRAULIC T UNION F. 1/2"	HYDR.ANSCHL. KOPF B. 1/2"	EMPALME OLEOD. T.H. 1/2"	1/2"
8	3225695	PROLUNGA OLEOD.	RALLONGE HYDR.	HYDRAULIC EXTENSION	VERLÄNGERUNG HYDRAULIK	PROLONGACIÓN OLEOD. M.F.	1/2" L.45MM SV.60°
9	3225772	CURVA 90° M.F.GIR. 1/2"	COUDE 90° M.F.PIV. 1/2"	90° BEND M.F. SWIVEL 1/2"	WINKELSTÜCK 90° S-B DREHB. 1/2"	CURVA 90° M.H. GIR. 1/2"	90° 1/2"
10	3225163	RACCORDO OLEOD.	RACCORD HYDR.	HYDRAULIC TUNION	ANSCHLUSS HYDR.	EMPALME OLEOD. "T" M.F. 1/2" GIR.	"T" M.F. 1/2"
11	3225160	TAPPO ESAGONALE OLEOD. 3/8" SV 60°	BOUCHON HEXAGONAL HYDR. 3/8" SV 60°	HYDRAULIC HEX. PLUG 3/8" FL. 60°	SECHSKANTVERSCHL. HYDR. 3/8"	TAPÓN HEXAGONAL OLEOD. 3/8" AV. 60°	
12	3225153	NIPLES OLEOD. CILIND. 3/8" SV. 60°	NIPLES HYDR. CYL. 3/8" SV. 60°	CYL. HYDRAULIC NIPPLE 3/8" FL. 60°	NIPPEL HYDR. ZYL. 3/8" AUSGESENKT 60°	NIPLE OLEOD. CILIND. 3/8" AV. 60°	
13	3225694	ADATTATORE OLEOD. 3/8" M.F.	ADAPTATEUR HYDR. 3/8" M.F.	HYDRAULIC ADAPTER 3/8" M.F.	HYDR.PASSSTÜCK 3/8" S.-B.	ADAPTADOR OLEOD. 3/8"	3/8"
14	3225156	RACCORDO OLEOD.	RACCORD HYDR.	HYDRAULIC TUNION	ANSCHLUSS HYDR.	EMPALME OLEOD. "T"	"T" F.F.F. 3/8"
15	3225125	NIPLES OLEOD. RIDOTTO CIL. 1/2" - 1/4"	NIPLES HYDR. REDUIT CYL. 1/2" - 1/4"	CYL. REDUCED HYDRAULIC NIPPLE 1/2" - 1/4"	HYDR.-NIPPEL REDUZIERSTÜCK ZYL. 1/2" - 1/4"	NIPLE OLEOD. REDUCTOR CIL. 1/2" - 1/4"	1/2" - 1/4"
16	3225124	NIPLES OLEOD. RIDOTTO CIL. 3/8" - 1/4"	NIPLES HYDR. REDUIT CYL. 3/8" - 1/4"	CYL. REDUCED HYDRAULIC NIPPLE 3/8" - 1/4"	HYDR.-NIPPEL REDUZIERSTÜCK ZYL. 3/8" - 1/4"	NIPLE OLEOD. REDUCTOR CIL. 3/8" - 1/4"	3/8" - 1/4"
17	3225152	NIPLES OLEOD. CILIND. 1/2" SV. 60°	NIPLES HYDR. CYL. 1/2" SV. 60°	CYL. HYDRAULIC NIPPLE 1/2" FL. 60°	NIPPEL HYDR. ZYL. 1/2" AUSGESENKT 60°	NIPLE OLEOD. CILIND. 1/2" AV. 60°	1/2"
18	3225599	PROLUNGA OLEOD.	RALLONGE HYDR.	HYDRAULIC EXTENSION	VERLÄNGERUNG HYDRAULIK	PROLONGACIÓN OLEOD. M.F.	1/2" M.F. L.25MM SV.60°
19	3226389	RONDELLA GM AUTOCENTRANTE 1/8"	RONDELLE GM AUTOCENTRANTE 1/8"	SELF-CENTERING WASHER GM 1/8"	SELBSTZENTRIERENDE GM-UNTERLEGSCHLEIBE 1/8"	ARANDELA GM AUTOCENTRANTE 1/8"	
20	3228281	MOTORE IDRAULICO	MOTEUR HYDR.	ENGINE HYDRAULIC	MOTOR HYDR.	MOTOR OLEOD.	HRC 200 CORTO
21	3223826	VALVOLA A SFERA	SOUPAPE A BILLE	BALL VALVE	KUGELVENTIL	VALVULA DE ESFERA	2 VIE RS 3/4" F.F.
22	3225165	RONDELLA GM AUTOCENTRANTE 3/4"	RONDELLE GM AUTOCENTRANTE 3/4"	SELF-CENTERING WASHER GM 3/4"	SELBSTZENTRIERENDE GM-UNTERLEGSCHLEIBE 3/4"	ARANDELA GM AUTOCENTRANTE 3/4"	3/4"
23	3225161	NIPLES OLEOD. RIDOTTO CIL. 3/4" - 1/2"	NIPLES HYDR. REDUIT CYL. 3/4" - 1/2"	CYL. REDUCED HYDRAULIC NIPPLE 3/4" - 1/2"	HYDR.-NIPPEL REDUZIERSTÜCK ZYL. 3/4" - 1/2"	NIPLE OLEOD. REDUCTOR CIL. 3/4" - 1/2"	3/4" - 1/2"
24	3251845	RONDELLA GM AUTOCENTRANTE 1/4"	RONDELLE GM AUTOCENTRANTE 1/4"	SELF-CENTERING WASHER GM 1/4"	SELBSTZENTRIERENDE GM-UNTERLEGSCHLEIBE 1/4"	ARANDELA GM AUTOCENTRANTE 1/4"	1/4"
25	3225123	NIPLES OLEOD. CILIND. 1/4" SV. 60°	NIPLES HYDR. CYL. 1/4" SV. 60°	CYL. HYDRAULIC NIPPLE 1/4" FL. 60°	NIPPEL HYDR. ZYL. 1/4" AUSGESENKT 60°	NIPLE OLEOD. CILIND. 1/4" AV. 60°	1/4"
26	3225646	TAPPO OLEOD. 1/8" M. SV 60°	BOUCHON HYDR. 1/8" M. SV 60°	HYDRAULIC HEX. PLUG 1/8" M. FL. 60°	SECHSKANTVERSCHL. HYDR. 1/8" M	TAPÓN HEXAGONAL OLEOD. 1/8" M. AV. 60°	1/8" M
27	3228094	MOTORE IDRAULICO	MOTEUR HYDR.	ENGINE HYDRAULIC	MOTOR HYDR.	MOTOR OLEOD.	8 CC
28	3223912	CILINDRO	CYLINDRE	CYLINDER	ZYLINDER	CILINDRO	D60 C410
29	3228017	KIT VALVOLA DI MAX	KIT LIMITEUR DE PRESSION	BAUSATZ PRESSURE RELIEF VALVE	KIT DRUCKBEG RENZUNGSVENTIL	KIT VALVULA DE MAXIMA	

Documentazione senza certificazione CE
Documentation without CE certificate



TAV.10

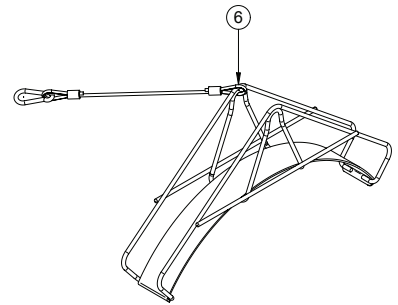
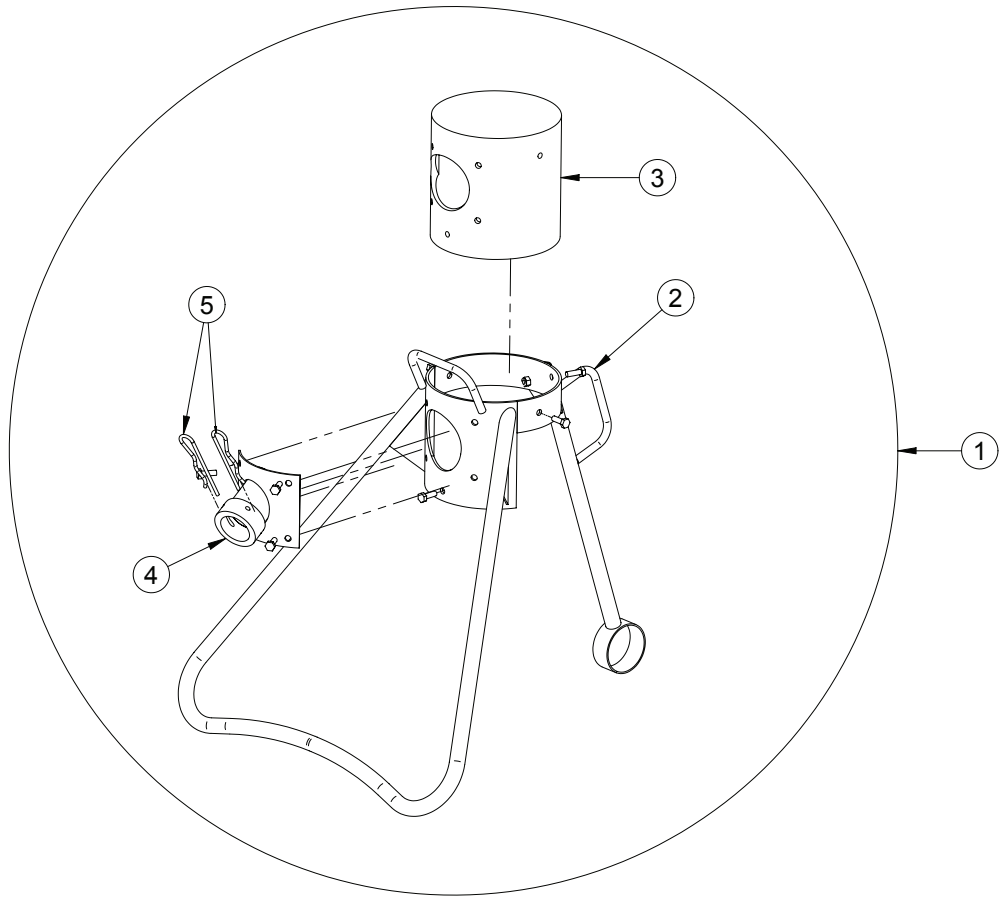


TAV.10 IMPIANTO OLEODINAMICO - CIRCUIT HYDRAULIQUE - IMPLANTATION - IMPLANT HYDRAULIC SYSTEM - EINPFLANZEN HYDRAULIKANLAGE - SISTEMA OLEODINAMICO							
Rif.	Cod.	I	F	GB	D	E	
1	3228002	TUBO	TUYAU	PIPE	SCHLAUCH	TUBO	L.410 mm
2	3228001	TUBO	TUYAU	PIPE	SCHLAUCH	TUBO	L.640 mm
3	3228003	TUBO	TUYAU	PIPE	SCHLAUCH	TUBO	L.940 mm
4	3228004	TUBO	TUYAU	PIPE	SCHLAUCH	TUBO	L.1100 mm
5	3228186	TUBO	TUYAU	PIPE	SCHLAUCH	TUBO	L.780 mm
6	3228185	TUBO	TUYAU	PIPE	SCHLAUCH	TUBO	L.410 mm
7	3227995	TUBO	TUYAU	PIPE	SCHLAUCH	TUBO	1/4" L.2060 mm
8	3225600	MINI FLESSIBILE	MINIFLEXIBLE	MINI FLEXIBLE	METALLSCHLAUCH	MINIFLEXIBLE	L.600 mm
9	3225158	MINI FLESSIBILE	MINIFLEXIBLE	MINI FLEXIBLE	METALLSCHLAUCH	MINIFLEXIBLE	L.1500 mm
10	3224779	MANOMETRO	MANOMETRE	PRESSURE GAUGE	MANOMETER	MANÒMETRO	0-400 BAR
11	3224780	STAFFA MANOMETRO	ETRIER MANOMETRE	BRCKET PRESSURE GAUGE	BÜGEL MANOMETER	SOPORTE MANÒMETRO	
12	3225129	STAFFA	ETRIER	BRCKET	BÜGEL	SOPORTE	

Documentazione senza certificazione CE
Documentation without CE certificate



Documentazione senza certificazione CE
Documentation without CE certificate



TAV.11

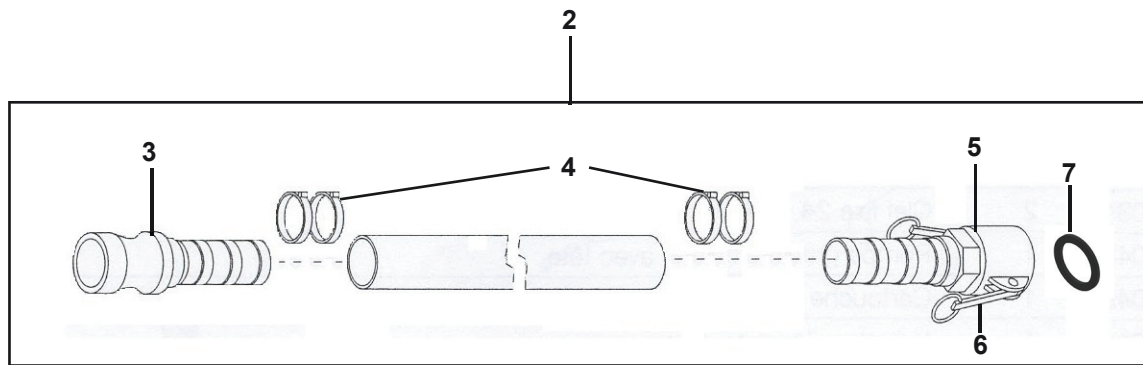
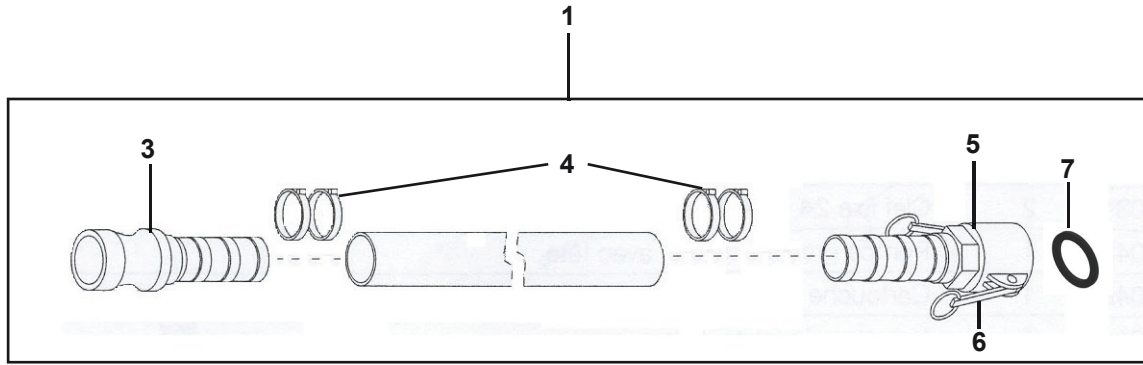


TAV.11							
Rif.	Cod.	I	F	GB	D	E	NOTE
1	3223897	TREPPIEDI	COMPLETO	TREPIED	TRIPOD STATIV	TRIPODE	2"-1/2"
2	3223860	TELAIO	CHÂSSIS	FRAME	RAHMEN	BASTIDOR	
3	3223876	TUBO	TUYAU	PIPE	SCHLAUCH	MANGUERA	D.250 x H.250
4	3223862 3223863	TUBO 2" TUBO 2"1/2	TUYAU 2" TUYAU 2"1/2	PIPE 2" PIPE 2"1/2	SCHLAUCH 2" SCHLAUCH 2"1/2	MANGUERA 2" MANGUERA 2 1/2"	
5	3223903	COPPIGLIA	GOUPILLE	SPLIT PIN	FEDERSPLINT	PASADOR	
6	3223910	REGGITUBO	PORTE-TUYAU	PIPE HOLDER	SCHLAUCHHALTER	SOPORTE MANGUERA	
7	3224102	CASSETTAATTREZZI	CAISSETTE TU ÉQUIPES	TOOL BOX	KASSETTE WERKZEUGE	HERRAMIENTAS DEL CASSETTE	
8	3223926	FASCIA REGGITUBO	COLLIER PORTE TUYAU	PIPE HOLDERVAND	SCHLAUCHSCHELLE	ABRAZADERA MANGUERA	
9	3223779	GUARNIZIONE BOCCAPORTO	JOINT BOUCHE DE SORTIE	SEAL HATCH DICHTUNG	DECKEL	GUARNICION BOCA DEL DEPÓSITO	
10	3223934	SPUGNA DI LAVAGGIO D.70	ÉPONGE DE LAVAGE D.70	WASCHING SPONGED D.70	SCHWAMM D.70	ESPONJA DE LAVADO D.30	D.70
11	3224858	POMPA GRASSO	POMPE GRAS	GREASE PUMP	PUMPE DICK	BOMBA GRASO	

Documentazione senza certificazione CE
Documentation without CE certificate



TUBI MATERIALE CON ATTACCHI A CAMME D.60 -
 TUYAU PRODUIT AVEC RACCORDS À CAMES D.60 -
 MATERIAL HOSES WITH CAM COUPLINGS D.60 -
 TUBOS MATERIAL CON RACORES TIPO CAMLOCK D.60 -
 MATERIAL FÖRDERLEITUNGEN MIT NOCKENANSCHL. D.60



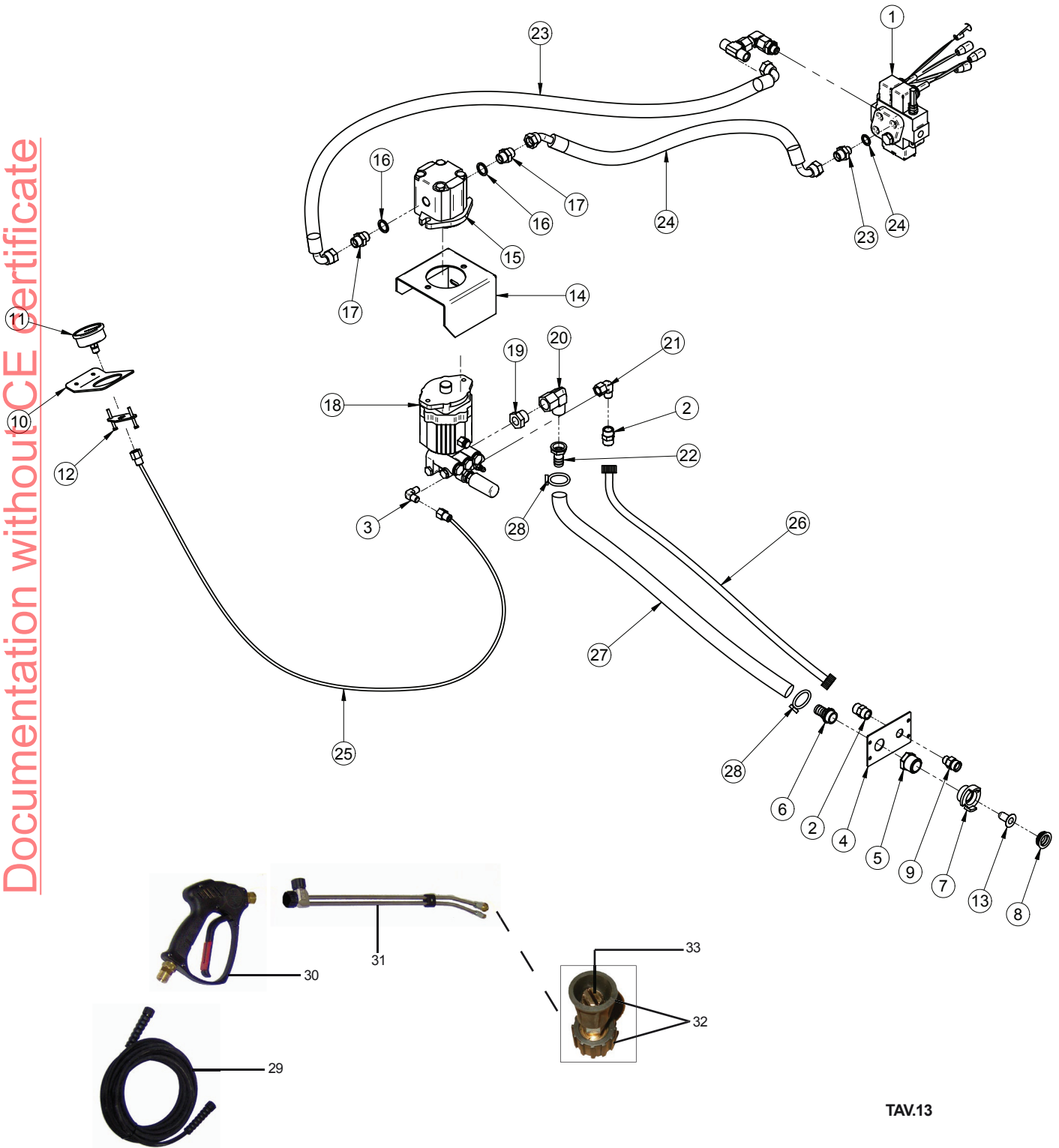
TAV.12

TAV.12 TUBI MATERIALE D.60 - TUYAU PRODUIT D.60 - MATERIAL HOSES D.60 - TUBOS MATERIAL D.60 - MATERIALFÖRDERLEITUNGEN D.60							
Rif.	Cod.	I	F	GB	D	E	NOTE
1	1107035	TUBO 10Mt PORTA-MATERIALE D60 CON ATTACCHI A CAMME	TUYAU 10 M EMBOUT DE TUYAU PRODUIT D60 AVEC RACCORDS À CAMES	10Mt MATERIAL CARRIER HOSE D60 WITH CAM COUPLINGS	MATERIAL-FÖRDERLEITUNG 10 M D60 MIT NOCKENANSCHL	TUBO PORTAMATERIAL 10 M D60 CON RACORES TIPO CAMLOCK	10 MT
2	1107036	TUBO 20Mt PORTA-MATERIALE D60 CON ATTACCHI A CAMME	TUYAU 20 M EMBOUT DE TUYAU PRODUIT D60 AVEC RACCORDS À CAMES	20Mt MATERIAL CARRIER HOSE D60 WITH CAM COUPLINGS	MATERIAL-FÖRDERLEITUNG 20 M D60 MIT NOCKENANSCHL	TUBO PORTAMATERIAL 20 M D60 CON RACORES TIPO CAMLOCK	20 MT
3	3225931	RACCORDO KAMLOCK A FASCETTARE DN 65M	RACCORD KAMLOCK À MONTER AVEC COLLIER DE SERRAGE DN 65M	KAMLOCK COUPLNG FOR CLAMPING DN 65M	KAMLOCK-KUPPLUNG DN 65M	EMPALME CAMLOCK A FIJAR CON ABRAZADERA DN 65 M	DN65 M.
4	3225945	MORSETTO STRINGITUBO 74-79	SERRES À TUYAU 74-79	HOSE CLAMP 74-79	KLEMME 74-79	MORDAZA APRIETATUBO 74-79	74-79
5	3225932	RACCORDO KAMLOCK A FASCETTARE DN 65 F	RACCORD KAMLOCK À MONTER AVEC COLLIER DE SERRAGE DN 65 F	KAMLOCK COUPLNG FOR CLAMPING DN 65 F	KAMLOCK-KUPPLUNG DN 65 F	EMPALME CAMLOCK A FIJAR CON ABRAZADERA DN 65 F	DN65 F.
6	3226466	LEVA	LEVIER	LEVER	HEBEL	PALANCA	DN 65
7	3225891	GUARNIZIONE ATTACCO A CAMME DN 65	JOINT DE RACCORD À CAMES DN 65	SEAL CAM COUPLING DN 65	DICHTUNG F. NOCKENANSCHLUSS DN 6	GUARNICIÓN RACOR TIPO CAMLOCK DN 6	DN 65



1107152
KIT IDROPULITRICE - NETTOYEUR HP - PRESSURE WATER CLEANER KIT -
BAUSATZ HOCHDRUCKREINIGER - KIT HIDROLIMPIADORA

Documentazione senza certificazione CE
Documentation without CE certificate



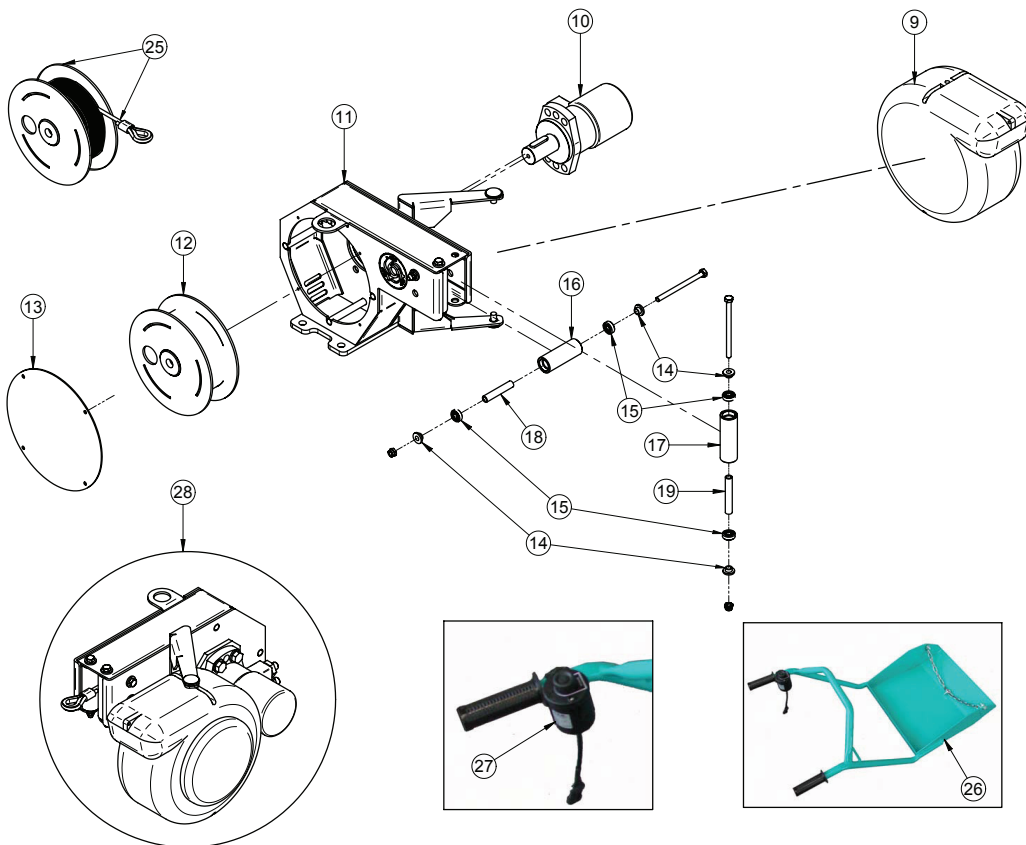
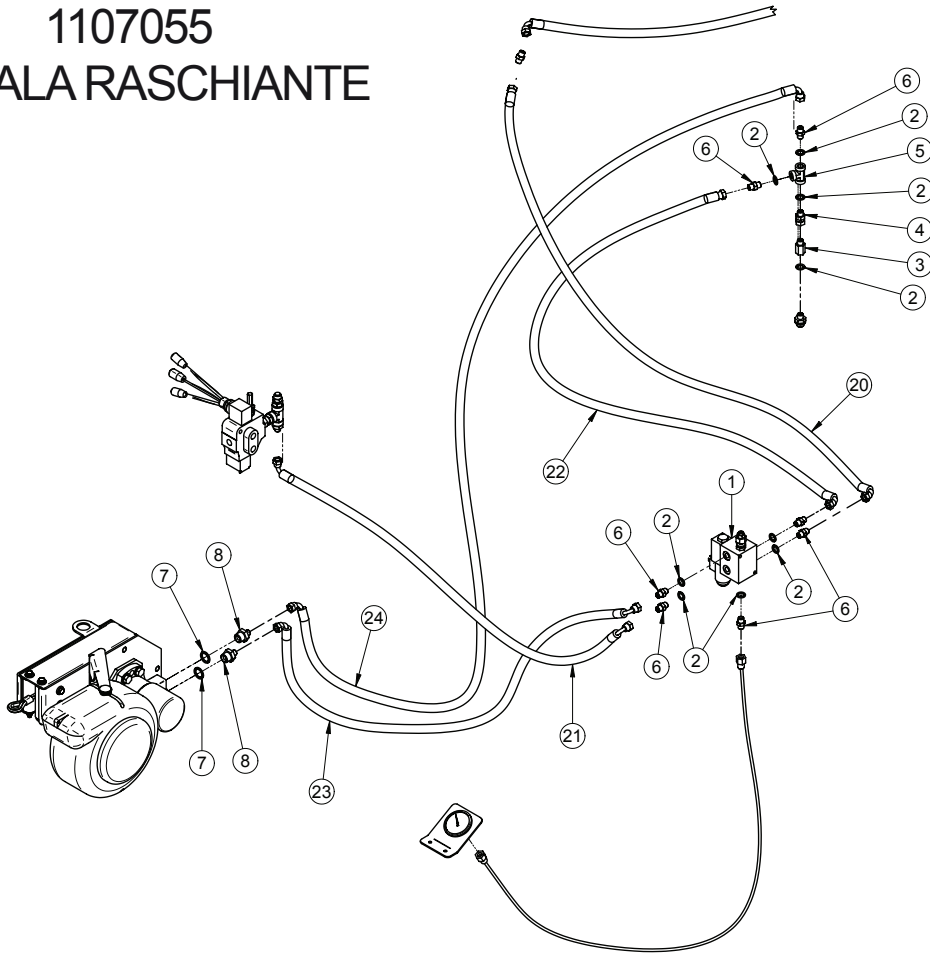
TAV.13



TAV.13 - 1107152 KIT IDROPULTRICE - NETTOYEUR HP - PRESSURE WATER CLEANER KIT - BAUSATZ HOCHDRUCKREINIGER - KIT HIDROLIMPIADORA							
Rif.	Cod.	I	F	GB	D	E	
1	3227712	DISTRIBUTORE	DISTRIBUTEUR	DISTRIBUTOR	STEUERGERÄT	DISTRIBUIDOR	MD/2 AV C1L C3L
2	3226364	NIPLES	NIPLES	NIPPLE	NIPLES	NIPLE	M22X1.5 M.-3/8" F.
3	3225805	CURVA 90° 1/4" M. CONICO M. CILINDRICO	COUDE 90° 1/4" M. CONIQUE M. CYLINDRIQUE	90° BEND 1/4" M. CONICAL. M. CYL.	WINKELSTÜCK 90° 1/4" S. KONISCH. S. ZYLINDERFÖRMIG	CURVA 90° 1/4" M. CÓNICO M. CILÍNDRICO	
4	3228068	SPORTELLLO	VOLET	SCUTTLE	SCHALTER	TAPA	
5	3223608	RIDUZIONE	RÉDUCTION	REDUCER	REDUZIERSTÜCK	REDUCCION	M.1" F 3/4"
6	3225798	PORTAGOMMA	EMBOUT DE TUYAU	AIR HOSE CLAMP	SCHLAUCHHALTER	ADAPTATOR	3/4" M. X 20
7	3223428	ATTACCO RAPIDO	RACCORD RAPIDE	QUICK CONNECTOR	SCHNELLVERBINDUNG	EMPALME RAPIDO	F.1"
8	3223697	GUARNIZIONE ATTACCO RAPIDO	JOINT RACCORD RAPIDE	SEAL QUICK COUPLING	DICHTUNG	GUARNICIÓN CONEXIÓN RÁPIDA	
9	3226365	NIPLES	NIPLES	NIPPLE	NIPLES	NIPLE	M22X1.5 M.-3/8" M.
10	3225129	STAFFA	ETRIER	BRCKET	BÜGEL	SOPORTE	
11	3224779	MANOMETRO	MANOMETRE	PRESSURE GAUGE	MANOMETER	MANÓMETRO	0-400 BAR
12	3224780	STAFFA MANOMETRO	ETRIER MANOMETRE	BRCKET PRESSURE GAUGE	BÜGEL MANOMETER	SOPORTE MANÓMETRO	
13	3223639	FILTRO ACQUA	FILTRE	FILTER	FILTER	FILTRO	
14	3228132	STAFFA	ETRIER	HANGER	BÜGEL	CORCHETE	
15	3228094	MOTORE IDRAULICO	MOTEUR HYDR.	ENGINE HYDRAULIC	MOTOR HYDR.	MOTOR OLEOD.	8 CC
16	1220140	RONDELLA GM AUTOCENTRANTE 1/2"	RONDELLE GM AUTOCENTRANTE 1/2"	SELF-CENTERING WASHER GM 1/2"	SELBSTZENTRIRENDE GM-UNTERLEGSCHELBE 1/2"	ARANDELA GM AUTOCENTRANTE 1/2"	1/2"
17	3225152	NIPLES OLEOD. CILIND. 1/2" SV. 60°	NIPLES HYDR. CYL. 1/2" SV. 60°	CYL. HYDRAULIC NIPPLE 1/2" FL. 60°	NIPPEL HYDR. ZYL. 1/2" AUSGESENKT 60°	NIPLE OLEOD. CILIND. 1/2" AV. 60°	
18	3228065	POMPA IDROPULTRICE	POMPE DE NETTOYEUR HP PRESSURE	WATER CLEANER PUMP	CLEANER PUMP	BOMBA HIDROLIMPIADORA	
19	3226749	RIDUZIONE	RÉDUCTION	REDUCER	REDUZIERSTÜCK	REDUCCION	M.1" F 1/2"
20	3228063	CURVA 90° M.F.GIR. 3/4"	COUDE 90° M.F.PIV. 3/4"	90° BEND M.F. SWIVEL 3/4"	WINKELSTÜCK 90° S-B DREHB. 3/4"	CURVA 90° M.H. GIR. 3/4"	90° 3/4"
21	3228062	CURVA 90° M.F.GIR. 3/8"	COUDE 90° M.F.PIV. 3/8"	90° BEND M.F. SWIVEL 3/8"	WINKELSTÜCK 90° S-B DREHB. 3/8"	CURVA 90° M.H. GIR. 3/8"	90° 3/8"
22	3226366	PORTAGOMMA	EMBOUT DE TUYAU	AIR HOSE CLAMP	SCHLAUCHHALTER	ADAPTATOR	3/4" M. X 20
23	3228185	TUBO	TUYAU	PIPE	SCHLAUCH	TUBO	1/2" L.410 mm
24	3228186	TUBO	TUYAU	PIPE	SCHLAUCH	TUBO	1/2" L.780 mm
25	3225689	MINI FLESSIBILE	MINIFLEXIBLE	MINI FLEXIBLE	METALLSCHLAUCH	MINIFLEXIBLE	L.800 mm
26	3226367	TUBO	TUYAU	PIPE	SCHLAUCH	TUBO	L.750 mm
27	3225742	TUBO	TUYAU	PIPE	SCHLAUCH	TUBO	L.1000 mm
28	3227314	FASCETTA STRINGITUBO	COLLIER	CLAMP	SHELLE	ABRAZADERA	20-32
29	3225373	10 mt TUBO	10 m TUYAU	10 m PIPE	10 m SCHLAUCH	10 m MANGUERA	5/16"
30	3225370	PISTOLA 200 BAR ATTACCO M22X1.5	PISTOLET 200 BAR RACCORD M22X1.5	GUN 200 BAR CONNECTION M22X1.5	SPRITZGERÄT 200 BAR ANSCHLUSS M22X1.5	PISTOLA 200 BARES RACOR M22X1.5	M22X1.5 200BAR
31	3228167	LANCIA DOPPIA CORTA	LANCE	SPRAY JET	SPRITZPISTOLE	LANCIA ROCIADORA	
32	3225372	ATTACCO RAPIDO CON PROTEZIONE UGELLO	RACCORD RAPIDE AVEC PROTECTION BUSE	QUICK COUPLING WITH NOZZLE PROTECTION	SCHNELLANSCHLUSS MIT DÜSENSCHUTZ	CONEXIÓN RÁPIDA CON PROTECCIÓN BOQUILLA	M22X1.5 200BAR
33	3225371	UGELLO ALTA PRESSIONE A VENTAGLIO 025 15°	BUSE HAUTE PRESSION EN EVENTAIL 025 15°	HIGH PRESSURE SPRAY NOZZLE 025 15°	FÄCHERSTRAHL-HOCHDRUCKDÜSE 025 15°	BOQUILLA ALTA PRESION DE ABANICO 025 15°	1/4"



1107055 KIT PALA RASCHIANTE



Documentazione senza certificazione CE
Documentation without CE certificate



TAV.14 - 1107055 KIT PALA RASCHIANTE

Rif.	Cod.	I	F	GB	D	E	NOTE
1	3228547	ELETTRODISTRIBUITORE	DISTRIBUTEUR ÉLECTRIQUE	ELECTRICAL DISTRIBUTOR	STEUERGERÄT ELEKTRISCH	DISTRIBUIDOR ELÉCTRICO	
2	3251845	RONDELLA GM AUTOCENTRANTE 1/4"	RONDELLE GM AUTOCENTRANTE 1/4"	SELF-CENTERING WASHER GM 1/4"	SELBSTZENTRIERENDE GM-UNTERLEGSCHLEIBE 1/4"	ARANDELA GM AUTOCENTRANTE 1/4"	1/4"
3	3228593	PROLUNGA OLEOD.	RALLONGE HYDR.	HYDRAULIC EXTENSION	VERLÄNGERUNG HYDRAULIK	PROLONGACIÓN OLEOD. M.F.	1/4" M.F. L.25MM SV.60°
4	3225155	ADATTATORE OLEOD. 1/4" M.F.	ADAPTATEUR HYDR. 1/4" M.F.	HYDRAULIC ADAPTER 1/4" M.F.	HYDR.PASSSTÜCK 1/4" M.F. S.-B.	ADAPTADOR OLEOD. 1/4" M.F.	1/4" M.F. GIREVOLE
5	3225629	RACCORDO OLEOD. "T"	RACCORD HYDR.	HYDRAULIC TUNION	ANSCHLUSS HYDR.	EMPALME OLEOD. "T"	"T" F. 1/4"
6	3225123	NIPLES OLEOD. CILIND. 1/4" SV. 60°	NIPLES HYDR. CYL. 1/4" SV. 60°	CYL. HYDRAULIC NIPPLE 1/4" FL. 60°	NIPPEL HYDR. ZYL. 1/4" AUSGESENKT 60°	NIPLE OLEOD. CILIND. 1/4" AV. 60°	1/4"
7	1220140	RONDELLA GM AUTOCENTRANTE 1/2"	RONDELLE GM AUTOCENTRANTE 1/2"	SELF-CENTERING WASHER GM 1/2"	SELBSTZENTRIERENDE GM-UNTERLEGSCHLEIBE 1/2"	ARANDELA GM AUTOCENTRANTE 1/2"	1/2"
8	3225125	NIPLES OLEOD. RIDOTTO CIL. 1/2" - 1/4"	NIPLES HYDR. REDUIT CYL. 1/2" - 1/4"	CYL. REDUCED HYDRAULIC NIPPLE 1/2" - 1/4"	HYDR.-NIPPEL REDUZIERSTÜCK ZYL. 1/2" - 1/4"	NIPLE OLEOD. REDUCTOR CIL. 1/2" - 1/4"	1/2" - 1/4"
9	3227674	AVVOLGICAVO	ENROULEUR	CABLE WINDER	KABELROLLE	ENROLLADOR DE	
10	3225646	TAPPO OLEOD. 1/8" M. SV 60°	BOUCHON HYDR. 1/8" M. SV 60°	HYDRAULIC HEX. PLUG 1/8" M. FL. 60°	SECHSKANTVERSCHL. HYDR. 1/8" M	TAPÓN HEXAGONAL OLEOD. 1/8" M. AV. 60°	1/8" M
11	3223875	TELAIO SUPPORTO TAMBURO	CHÂSSIS SUPPORT TAMBOUR	SUPPORT FRAME DRUM	HALTERUNGSRAHMEN TROMMEL	BASTIDOR SOPORTE TAMBOR	
12	3223874	TAMBURO CORDA	TAMBOUR CORDE	ROPE DRUM	SEILTROMMEL	TAMBOR CUERDA	
13	3223878	COPERCHIO	COUVERCLE	COVER	DECKEL	TAPA	
14	3223887	BOCCOLA	DOUILLE	BUSHING	BUCHSE	CASQUILLO	
15	3204945	CUSCINETTO	PALIER	BEARING	LAGER	COJINETE	
16	3223886	RULLO ORIZZONTALE	ROULEAU HORIZONTAL	HORIZONTAL ROLLER	WAAGRECHTE WALZE	RODILLO HORIZONTAL	
17	3223885	RULLO VERTICALE	ROULEAU VERTICAL	VERTICAL ROLLER	SENKRECHTE WALZE	RODILLO VERTICAL	
18	3224862	DISTANZIALE	ENTRETOISE	SPACER	ABSTANDHALTER	DISTANCIADOR	
19	3224735	DISTANZIALE	ENTRETOISE	SPACER	ABSTANDHALTER	DISTANCIADOR	
20	3228595	TUBO	TUYAU	PIPE	SCHLAUCH	TUBO	1/4" L.1200 mm
21	3228596	TUBO	TUYAU	PIPE	SCHLAUCH	TUBO	1/4" L.1200 mm
22	3228594	TUBO	TUYAU	PIPE	SCHLAUCH	TUBO	1/4" L.1700 mm
23	3225101	TUBO	TUYAU	PIPE	SCHLAUCH	TUBO	1/4" L.3600 mm
24	3225100	TUBO	TUYAU	PIPE	SCHLAUCH	TUBO	1/4" L.3680 mm
25	3227561	TAMBURO + CORDA	TAMBOUR + CORDE	ROPE + DRUM	SEILTROMMEL	TAMBOR + CUERDA	
26	3223935	BADILE	PELLE	SHOVEL	SCHAUFEL	PALA	
27	3227711	PULSANTE	BOUTON	PUSHBUTTON	SCHALTER	PULSADOR	
28	3223895	AVVOLGICAVO	ENROULEUR	CABLE WINDER	KABELROLLE	ENROLLADOR DE	